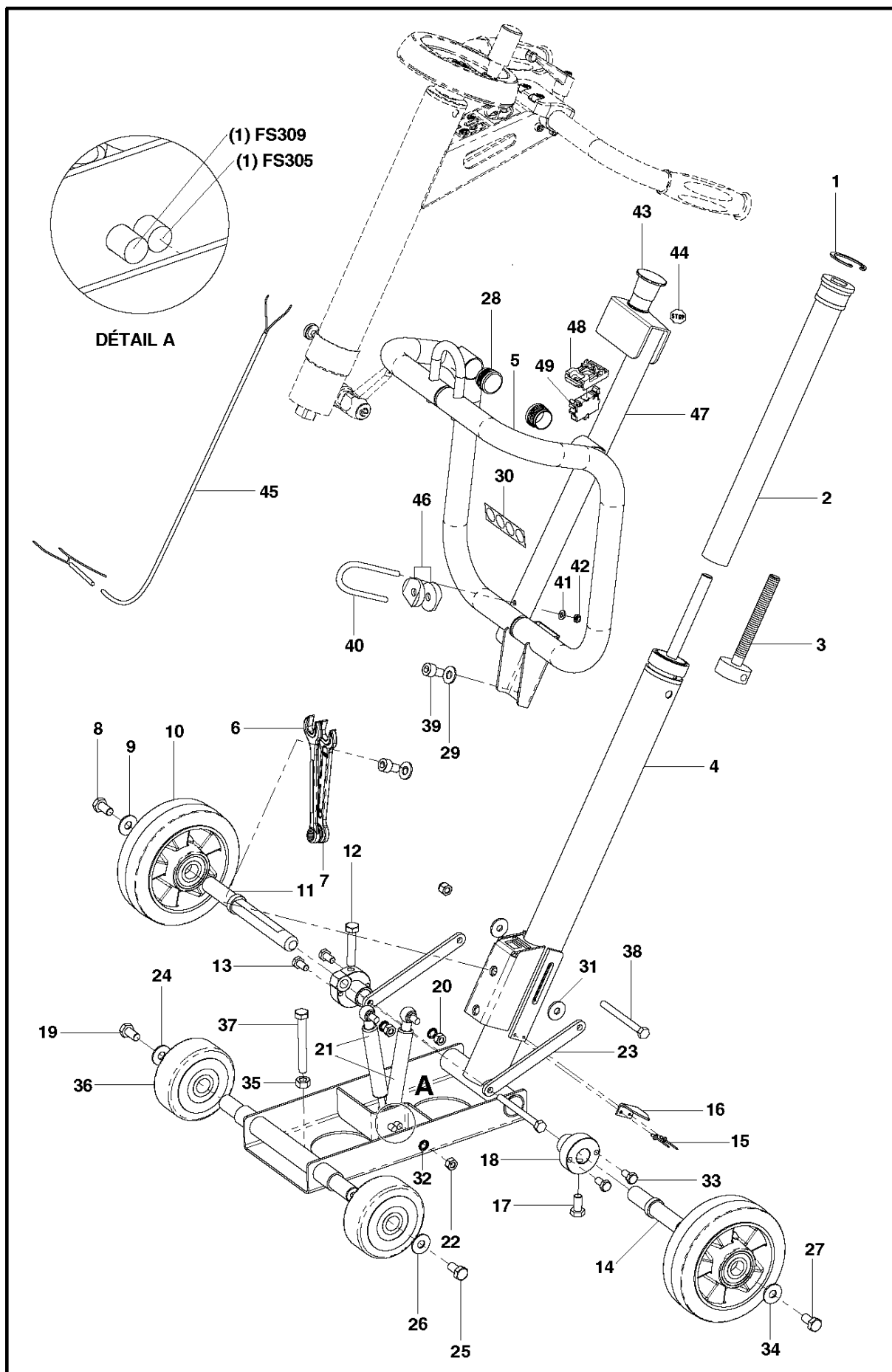




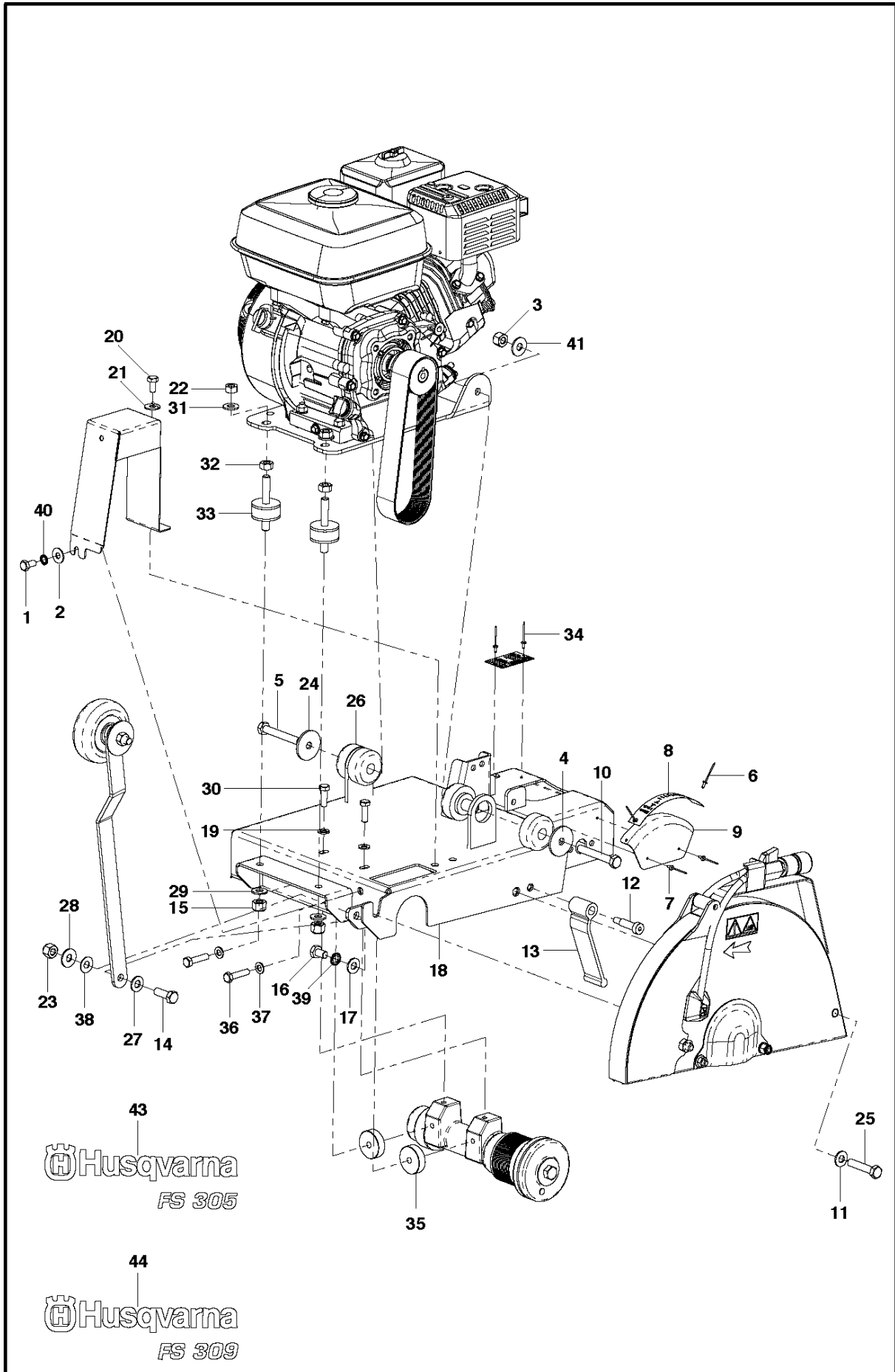
SPARE PARTS LIST

FLOOR SAWS

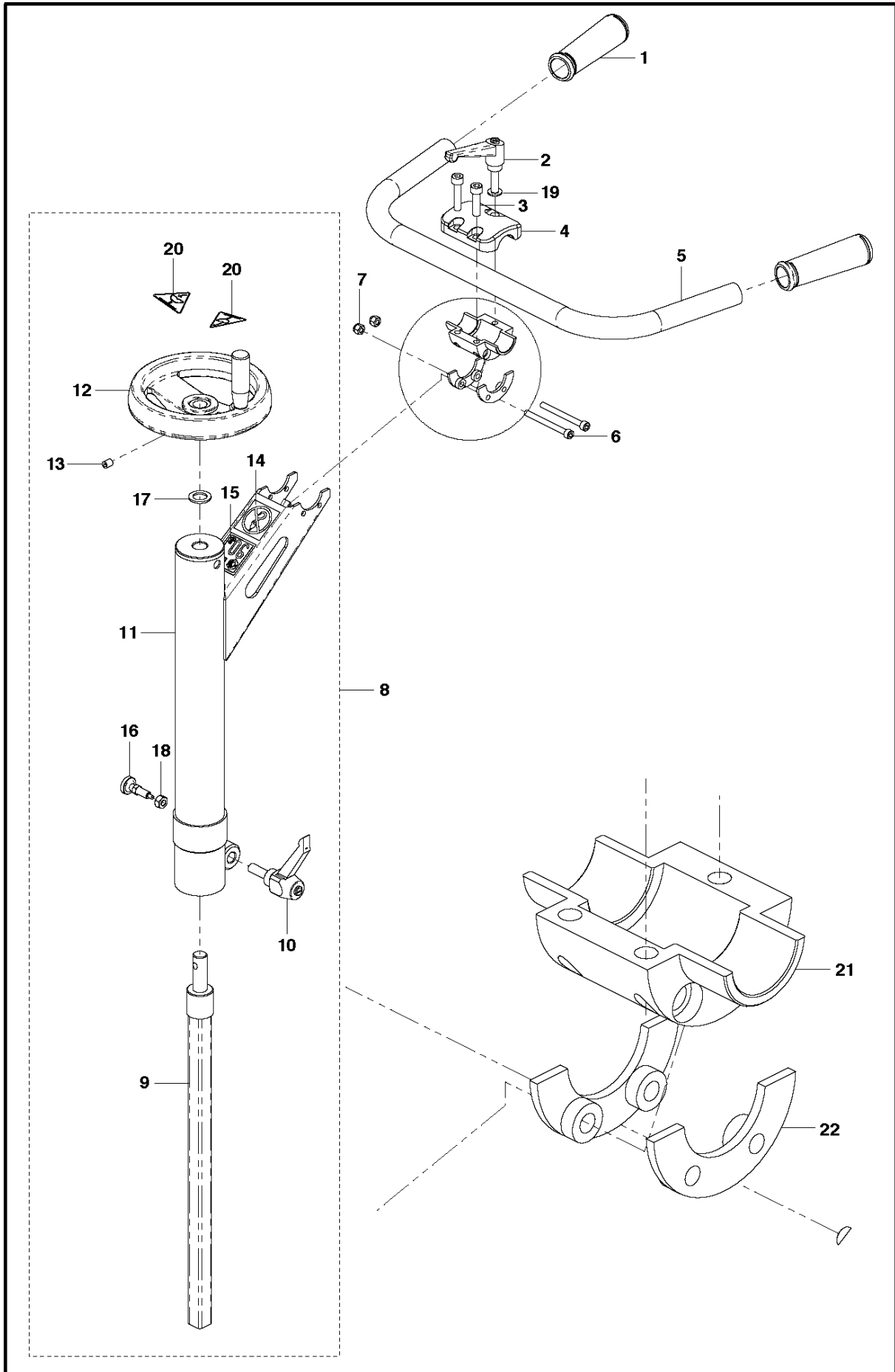
FS309, 2013-11



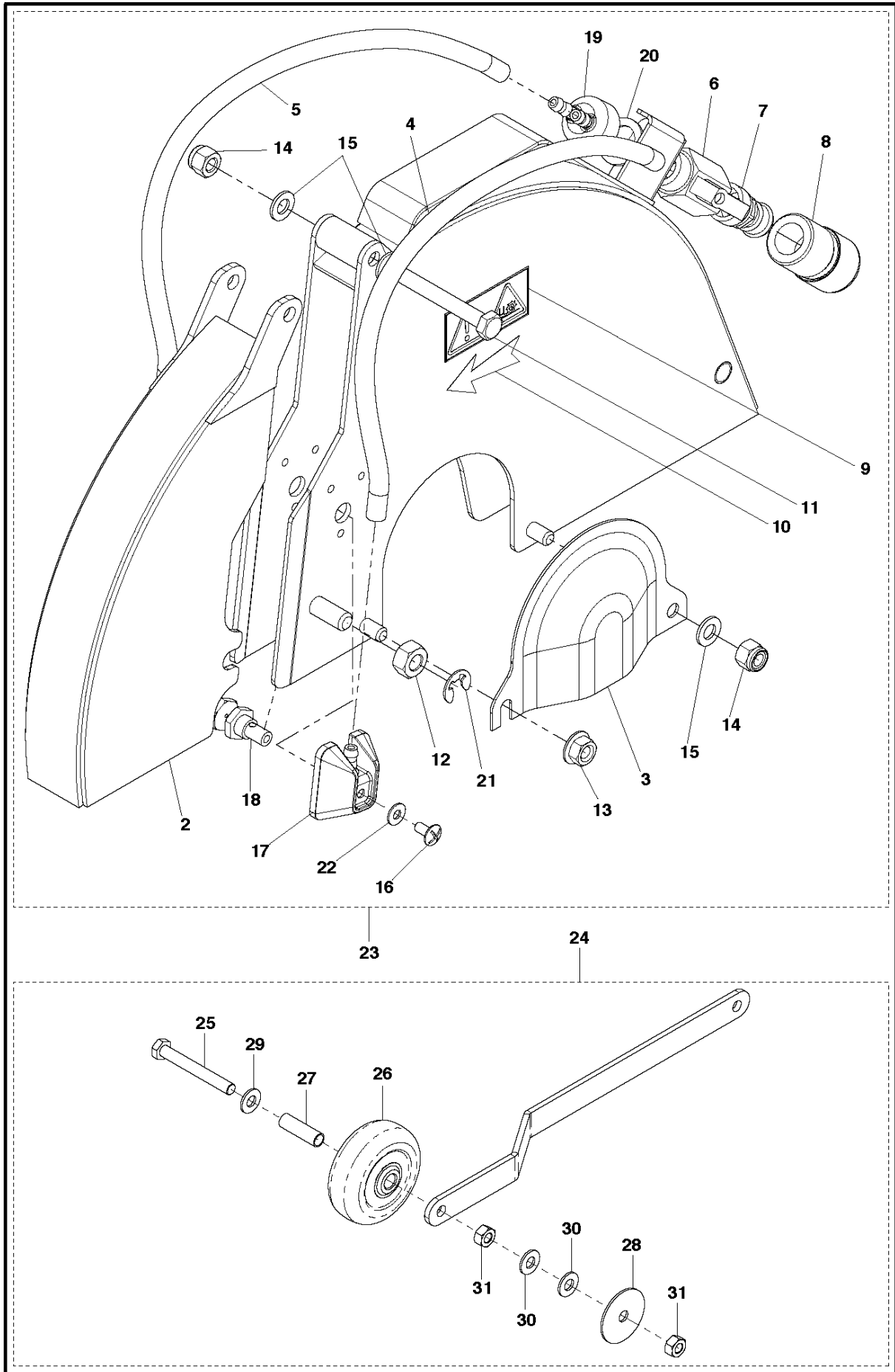
| Ref | Part No | Description | Remark | QTY KIT |
|-----|--------------|---------------------|--------|---------|
| 1 | 735 31 39-10 | CIRCLIP | | 1 |
| 2 | 543 08 12-27 | KEY | | 1 |
| 3 | 543 08 09-42 | SCREW | | 1 |
| 4 | 504 01 34-01 | CARRIAGE | | 1 |
| 5 | 586 97 81-01 | LIFTING ARM | | 1 |
| 6 | 543 04 58-91 | WRENCH | | 1 |
| 7 | 543 04 59-04 | WRENCH | | 1 |
| 8 | 725 24 91-71 | SCREW EHHM | | 1 |
| 9 | 734 11 74-41 | WASHER | | 1 |
| 10 | 543 04 59-50 | WHEEL | | 2 |
| 11 | 543 08 09-15 | AXLE | | 1 |
| 12 | 725 25 01-51 | SCREW EHHM | | 1 |
| 13 | 725 24 49-71 | SCREW EHHM | | 2 |
| 14 | 543 08 09-14 | REAR WHEEL | | 1 |
| 15 | 722 78 18-03 | RIVET | | 2 |
| 16 | 543 08 23-16 | POINTER | | 1 |
| 17 | 725 24 91-71 | SCREW EHHM | | 1 |
| 18 | 543 08 09-16 | BEARING | | 2 |
| 19 | 725 24 49-71 | SCREW EHHM | | 2 |
| 20 | 731 23 18-01 | HEXAGON NUT | | 1 |
| 21 | 543 85 03-65 | GAS SPRING | | 1 |
| 21 | 543 85 03-74 | GAS SPRING | | 1 |
| 22 | 731 23 18-01 | HEXAGON NUT | | 1 |
| 23 | 543 08 12-35 | ARM | | 2 |
| 24 | 734 11 74-41 | WASHER | | 1 |
| 25 | 725 24 91-71 | SCREW EHHM | | 1 |
| 26 | 734 11 74-41 | WASHER | | 1 |
| 27 | 725 24 91-71 | SCREW EHHM | | 1 |
| 28 | 502 08 32-01 | PLUG | | 2 |
| 28 | 502 08 32-01 | PLUG | | 4 |
| 29 | 734 11 72-01 | WASHER | | 2 |
| 30 | 543 04 58-53 | DECAL | | 1 |
| 31 | 543 04 48-98 | WASHER | | 2 |
| 32 | 735 21 64-01 | LOCKWASHER | | 2 |
| 33 | 725 24 91-71 | SCREW EHHM | | 1 |
| 34 | 734 11 74-41 | WASHER | | 1 |
| 35 | 731 23 20-01 | HEXAGON NUT | | 1 |
| 36 | 543 04 59-48 | WHEEL | | 2 |
| 37 | 725 25 07-51 | SCREW EHHM | | 1 |
| 38 | 502 24 41-01 | AXLE | | 2 |
| 39 | 725 54 89-01 | SCREW IHSCM | | 2 |
| 40 | 582 01 61-01 | PIPE CLAMP | | 1 |
| 41 | 734 11 52-01 | WASHER | | 2 |
| 42 | 732 25 16-01 | HEXAGON LOCKING NUT | | 2 |
| 43 | 585 63 80-01 | BUTTON | | 1 |
| 44 | 543 04 58-71 | DECAL | | 1 |
| 45 | 582 05 53-01 | ELECTRICAL SYSTEM | | 1 |
| 46 | 542 20 21-84 | WASHER | | 2 |
| 47 | 582 02 56-01 | CONSOLE ASSY | | 1 |
| 48 | 585 63 76-01 | BASE | | 1 |
| 49 | 510 43 15-01 | TERMINAL BLOCK | | 1 |



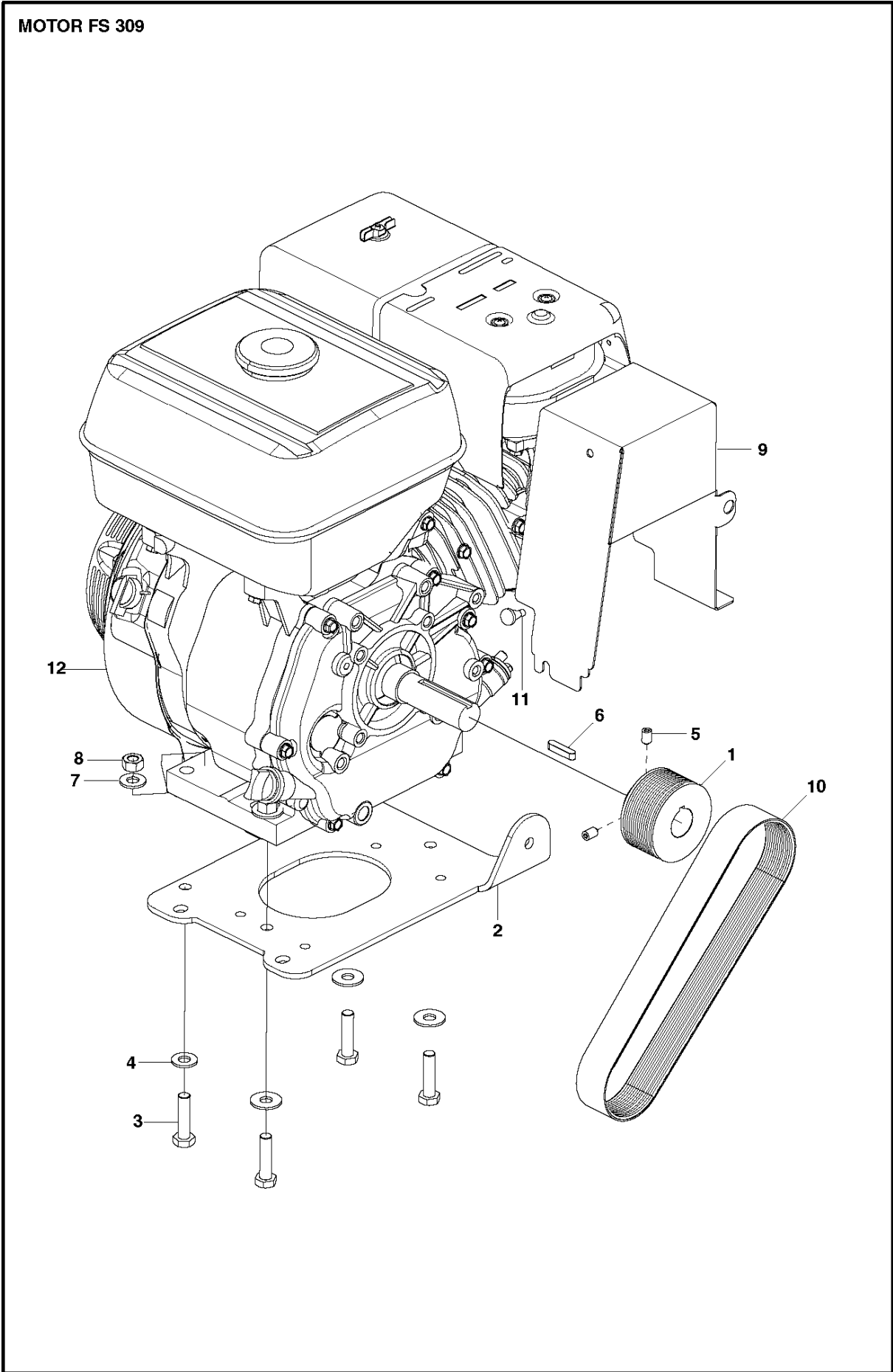
| Ref | Part No | Description | Remark | QTY KIT |
|-----|--------------|-----------------------|--------|---------|
| 1 | 725 24 49-71 | SCREW EHHM | | 1 |
| 2 | 734 11 65-41 | WASHER | | 1 |
| 3 | 732 25 20-01 | HEXAGON LOCKING NUT | | 2 |
| 4 | 543 08 12-36 | WASHER | | 1 |
| 5 | 725 25 05-51 | SCREW EHHM | | 1 |
| 6 | 722 78 18-03 | RIVET | | 2 |
| 7 | 722 78 18-03 | RIVET | | 2 |
| 8 | 543 08 26-89 | STICKER | | 1 |
| 9 | 543 08 23-14 | GUIDE | | 1 |
| 10 | 725 25 01-51 | SCREW EHHM | | 1 |
| 11 | 734 11 72-01 | WASHER | | 1 |
| 12 | 541 20 82-79 | BOLT | | 1 |
| 13 | 543 08 08-88 | FLAP | | 1 |
| 14 | 725 24 95-71 | SCREW EHHM | | 1 |
| 15 | 732 25 20-01 | HEXAGON LOCKING NUT | | 1 |
| 16 | 725 24 89-71 | SCREW EHHM | | 1 |
| 17 | 734 11 72-01 | WASHER | | 1 |
| 18 | 543 08 12-25 | CHASSIS | | 1 |
| 19 | 734 11 63-01 | WASHER | | 2 |
| 20 | 725 24 49-71 | SCREW EHHM | | 1 |
| 21 | 734 11 65-41 | WASHER | | 1 |
| 22 | 731 23 20-01 | HEXAGON NUT | | 2 |
| 23 | 732 25 20-01 | HEXAGON LOCKING NUT | | 2 |
| 24 | 543 08 12-36 | WASHER | | 1 |
| 25 | 725 25 05-51 | SCREW EHHM | | 1 |
| 26 | 543 85 03-64 | ISOLATOR | | 2 |
| 26 | 504 00 43-01 | ISOLATOR | | 2 |
| 27 | 734 11 72-01 | WASHER | | 2 |
| 28 | 734 11 74-41 | WASHER | | 2 |
| 29 | 734 11 72-01 | WASHER | | 1 |
| 30 | 725 24 53-71 | SCREW EHHM | | 2 |
| 31 | 734 11 72-01 | WASHER | | 2 |
| 32 | 731 23 20-01 | HEXAGON NUT | | 2 |
| 33 | 543 08 23-56 | ANTIVIBRATION ELEMENT | | 2 |
| 34 | 722 78 18-03 | RIVET | | 2 |
| 35 | 543 08 08-91 | SPACER | | 2 |
| 36 | 725 24 57-71 | SCREW EHHM | | 2 |
| 37 | 734 11 63-01 | WASHER | | 2 |
| 38 | 543 04 47-32 | WASHER | | 1 |
| 39 | 735 21 73-01 | LOCKWASHER | | 1 |
| 40 | 735 21 64-01 | LOCKWASHER | | 1 |
| 41 | 734 11 74-41 | WASHER | | 1 |
| 43 | 588 13 83-01 | DECAL | | 1 |
| 44 | 588 14 26-01 | DECAL | | 1 |



| Ref | Part No | Description | Remark | QTY | KIT |
|-----|--------------|---------------------|--------|-----|-----|
| 1 | 542 13 95-68 | GRIP | | 2 | |
| 2 | 543 85 01-81 | HANDLE | | 1 | |
| 3 | 725 54 55-01 | SCREW IHSCM | | 2 | |
| 4 | 543 08 23-84 | SUPPORT | | 1 | |
| 5 | 504 01 35-01 | HANDLE | | 1 | |
| 6 | 725 53 83-01 | SCREW IHSCM | | 2 | |
| 7 | 732 25 16-01 | HEXAGON LOCKING NUT | | 2 | |
| 8 | 543 08 41-38 | HANDLE | | 1 | |
| 9 | 543 08 12-29 | SHAFT | | 1 | 8 |
| 10 | 543 85 03-66 | HANDLE | | 1 | 8 |
| 11 | 543 08 12-28 | MOBIL HANDLEFSX1 | | 1 | 8 |
| 12 | 543 08 08-92 | WHEEL | | 1 | 8 |
| 13 | 728 74 45-05 | SCREW IHSETM | | 1 | 8 |
| 14 | 543 07 24-95 | STICKER | | 1 | 8 |
| 15 | 543 06 64-47 | STICKER | | 1 | 8 |
| 16 | 501 96 62-01 | POSITION SPRING | | 1 | 8 |
| 17 | 540 07 07-01 | WASHER | | 1 | 8 |
| 18 | 731 28 18-01 | NUT | | 1 | 8 |
| 19 | 734 11 63-01 | WASHER | | 2 | |
| 20 | 505 42 66-01 | LABEL | | 1 | 8 |
| 21 | 543 08 23-18 | CYLINDER | | 1 | |
| 22 | 543 08 23-10 | BRACKET | | 2 | |



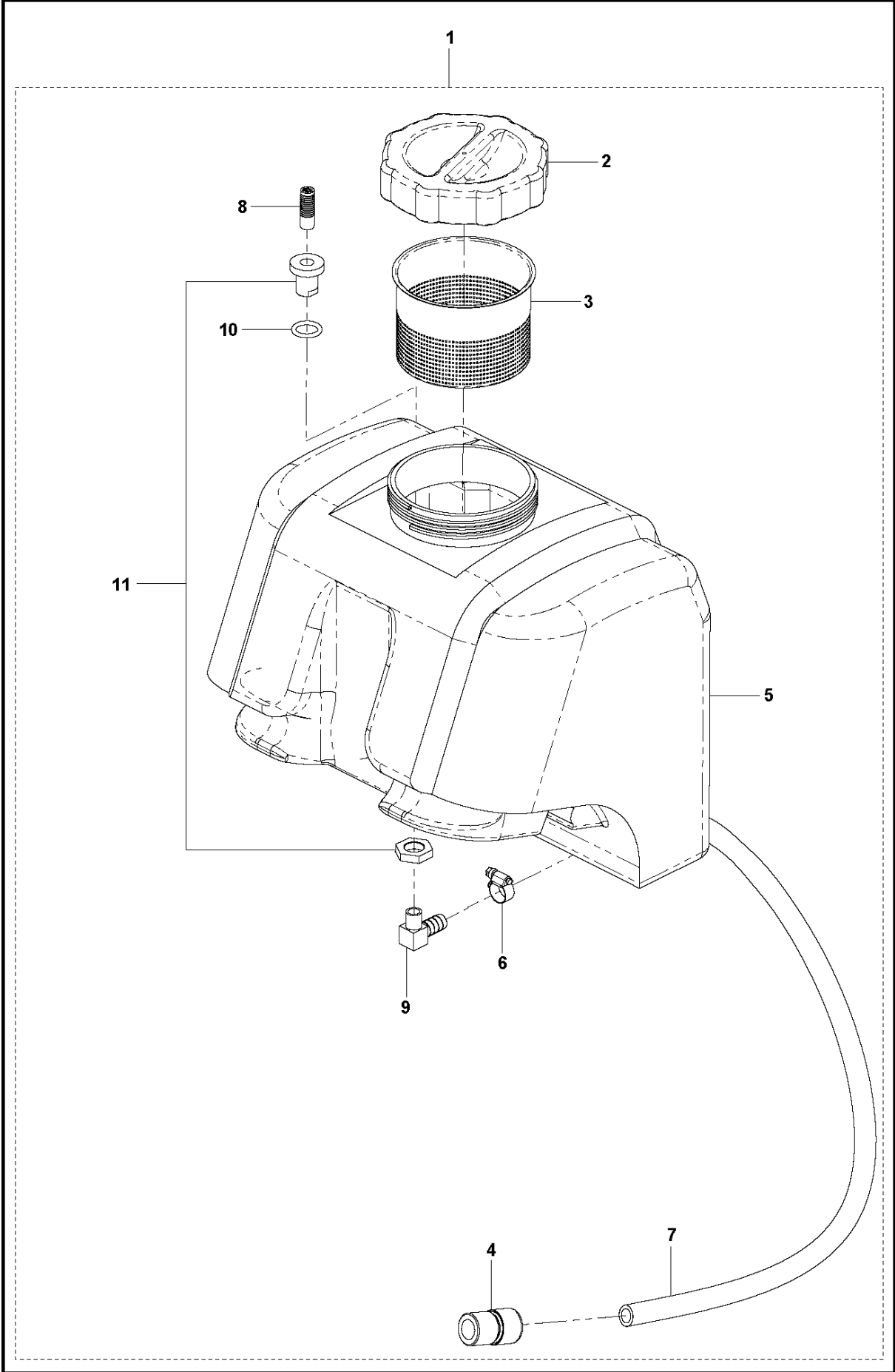
| Ref | Part No | Description | Remark | QTY | KIT |
|-----|--------------|---------------------|--------|-----|-----|
| 2 | 579 80 12-01 | BLADE GUARD | | 1 | 23 |
| 3 | 579 80 24-01 | COVER PLATE | | 1 | 23 |
| 4 | 588 81 99-01 | HOSE | | 1 | 23 |
| 5 | 588 81 99-01 | HOSE | | 1 | 23 |
| 6 | 543 04 55-39 | TAP | | 1 | 23 |
| 7 | 543 04 56-10 | ADAPTER | | 1 | 23 |
| 8 | 543 04 56-12 | QUICK COUPLING | | 1 | 23 |
| 9 | 543 04 58-82 | DECAL | | 1 | 23 |
| 10 | 543 85 00-37 | STICKER | | 1 | 23 |
| 11 | 725 24 63-51 | SCREW EHHM | | 1 | 23 |
| 12 | 731 23 20-01 | HEXAGON NUT | | 1 | 23 |
| 13 | 731 71 18-51 | HEXAGON NUT FLANGE | | 1 | 23 |
| 14 | 732 25 18-01 | HEXAGON LOCKING NUT | | 2 | 23 |
| 15 | 734 11 63-01 | WASHER | | 3 | 23 |
| 16 | 724 13 25-51 | SCREW CRPANM | | 2 | 23 |
| 17 | 543 08 12-71 | INJECTOR | | 2 | 23 |
| 18 | 543 08 12-72 | JET | | 2 | 23 |
| 19 | 543 08 12-74 | Y-COUPLING | | 1 | 23 |
| 20 | 501 38 75-01 | SEALING | | 1 | 23 |
| 21 | 502 08 30-01 | LOCKWASHER | | 1 | 23 |
| 22 | 734 11 46-01 | WASHER | | 2 | 23 |
| 23 | 579 80 10-01 | BLADE GUARD | | 1 | |
| 24 | 543 08 41-41 | POINTER | | 1 | |
| 25 | 725 25 07-71 | SCREW | | 1 | 24 |
| 26 | 543 04 59-32 | WHEEL | | 1 | 24 |
| 27 | 542 20 20-75 | BUSHING | | 1 | 24 |
| 28 | 542 20 21-06 | WASHER | | 1 | 24 |
| 29 | 734 11 72-01 | WASHER | | 1 | 24 |
| 30 | 734 11 72-01 | WASHER | | 2 | 24 |
| 31 | 731 23 20-01 | HEXAGON NUT | | 2 | 24 |



MOTOR

FS309, 2013-11

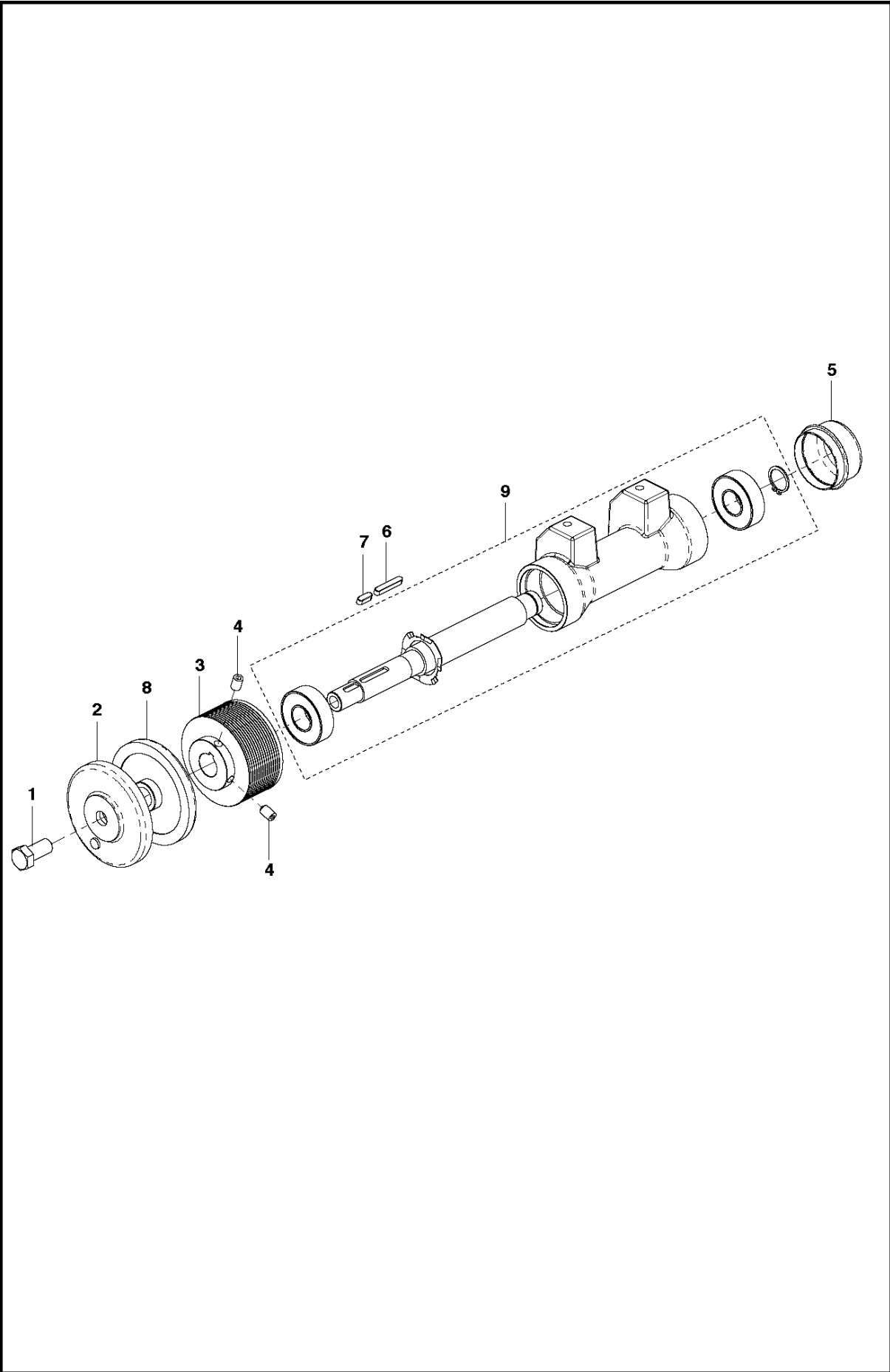
| Ref | Part No | Description | Remark | QTY KIT |
|-----|--------------|--------------|--------|---------|
| 1 | 543 08 32-67 | PULLEY | | 1 |
| 2 | 543 08 12-31 | SUPPORT | | 1 |
| 3 | 725 24 99-71 | SCREW EHHM | | 4 |
| 4 | 734 11 72-01 | WASHER | | 4 |
| 5 | 728 84 47-05 | SCREW IHSETM | | 2 |
| 6 | 543 04 47-84 | KEY | | 1 |
| 7 | 734 11 72-01 | WASHER | | 4 |
| 8 | 731 23 20-01 | HEXAGON NUT | | 4 |
| 9 | 543 08 33-87 | COVER | | 1 |
| 10 | 588 76 84-01 | BELT | | 1 |
| 11 | 501 32 34-01 | BUMPER | | 1 |
| 12 | 590 15 95-01 | ENGINE | | 1 |



WATER TANK

FS309, 2013-11

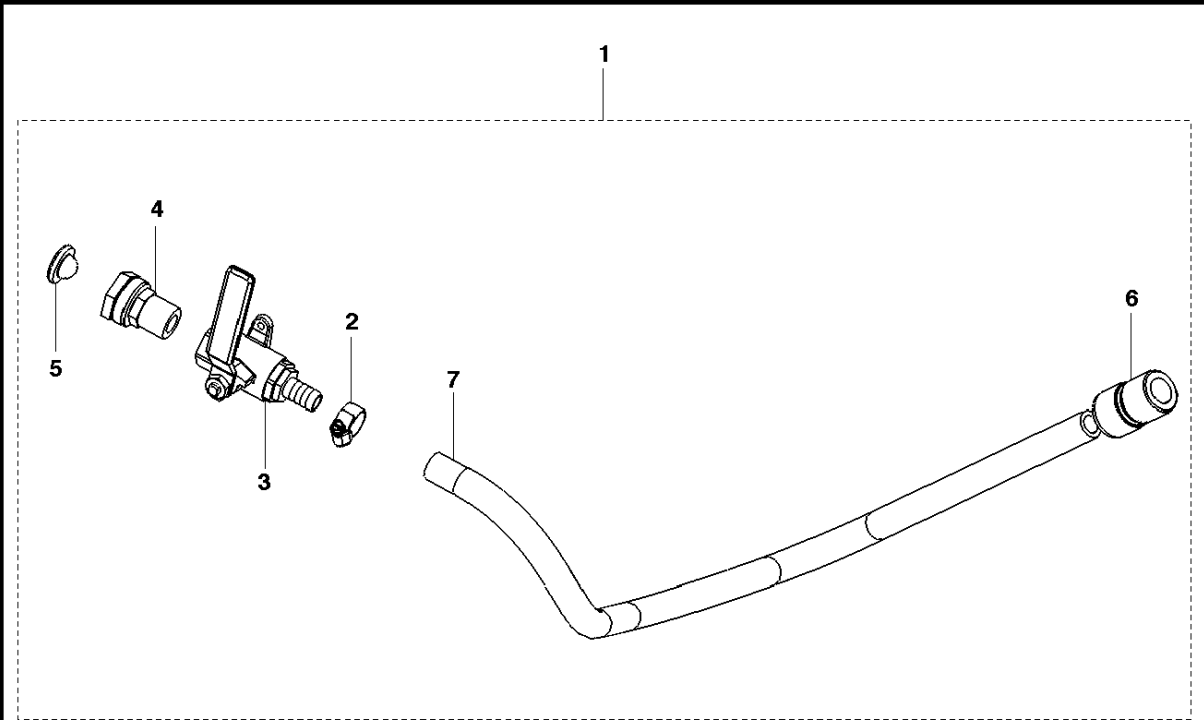
| Ref | Part No | Description | Remark | QTY | KIT |
|-----|--------------|----------------|--------------|-----|-----|
| 1 | 543 08 41-37 | TANK | | 1 | |
| 2 | 504 12 27-01 | HUB CAP | | 1 | 1 |
| 3 | 543 08 29-95 | FILTER | | 1 | 1 |
| 4 | 543 04 56-12 | QUICK COUPLING | | 1 | 1 |
| 5 | 504 01 33-01 | TANK | | 1 | 1 |
| 6 | 543 85 03-44 | CLIP | | 1 | 1 |
| 7 | 543 04 55-80 | HOSE | Long = 0,45M | 1 | 1 |
| 8 | 502 24 42-01 | FILTER PLUG | | 1 | 1 |
| 9 | 543 85 01-31 | FITTING | | 1 | 1 |
| 10 | 588 45 10-01 | O-RING | | 1 | 1 |
| 11 | 542 19 61-84 | FITTING | | 1 | 1 |



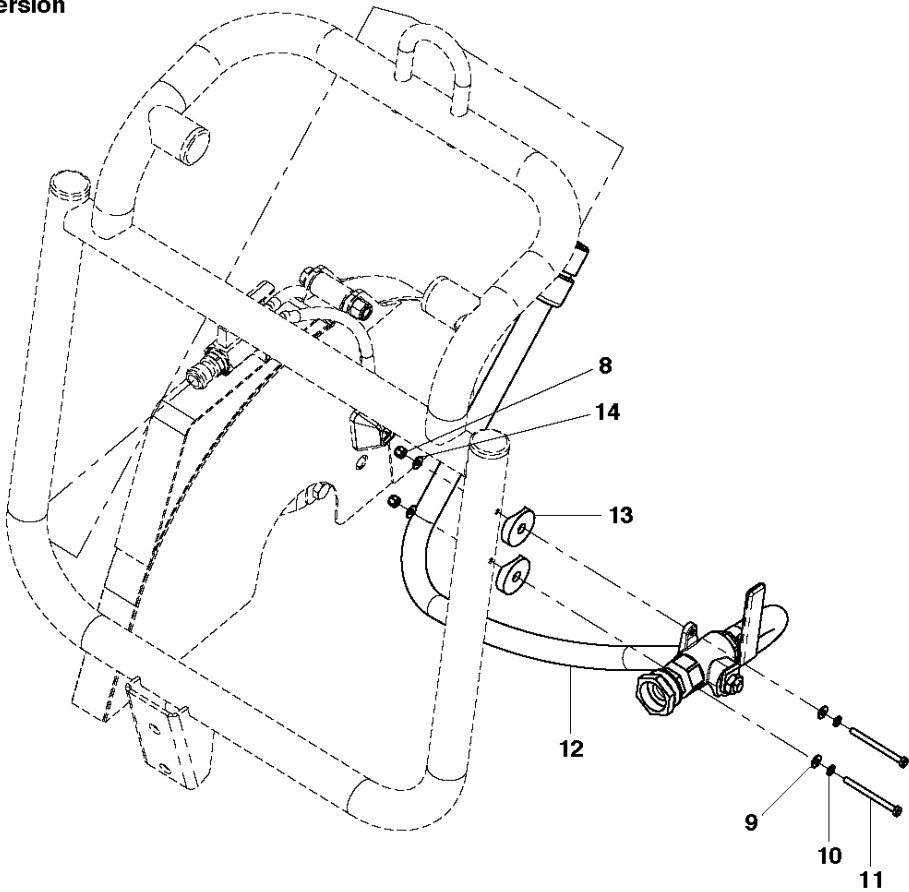
BLADE ARM

FS309, 2013-11

| Ref | Part No | Description | Remark | QTY KIT |
|-----|--------------|--------------|--------|---------|
| 1 | 725 25 34-71 | SCREW EHHM | | 1 |
| 2 | 504 06 40-01 | FLANGE | EU | 1 |
| 2 | 504 70 70-01 | FLANGE | US | 1 |
| 3 | 543 08 08-94 | BLADE SHAFT | FS 305 | 1 |
| 4 | 728 84 47-05 | SCREW IHSETM | | 2 |
| 5 | 539 10 25-35 | CAP | | 1 |
| 6 | 543 04 47-83 | KEY | | 1 |
| 7 | 543 85 03-67 | KEY | | 1 |
| 8 | 543 08 08-89 | FLANGE | EU | 1 |
| 8 | 502 49 86-01 | FLANGE | US | 1 |
| 9 | 543 08 41-40 | BLADE SHAFT | | 1 |



FS309 US version



WATER SYSTEM

FS309, 2013-11

| Ref | Part No | Description | Remark | QTY KIT |
|-----|--------------|---------------------|------------|---------|
| 1 | 542 20 23-15 | SIDE LAMINATE | | 1 |
| 2 | 543 85 03-44 | CLIP | | 1 |
| 3 | 542 13 95-37 | VALVE. WATER. 1/2" | | 1 |
| 4 | 542 20 23-08 | FITTING | | 1 |
| 5 | 542 04 56-40 | WASHER | | 1 |
| 6 | 543 04 56-12 | QUICK COUPLING | | 1 |
| 7 | 543 04 55-80 | HOSE | (lg. : 1m) | 1 |
| 8 | 732 25 12-01 | HEXAGON LOCKING NUT | | 2 |
| 9 | 734 11 36-01 | WASHER | | 2 |
| 10 | 735 21 36-01 | LOCKWASHER | | 2 |
| 11 | 725 23 05-71 | SCREW | | 2 |
| 12 | 542 20 23-15 | SIDE LAMINATE | | 1 |
| 13 | 542 20 21-84 | WASHER | | 2 |
| 14 | 734 11 36-01 | WASHER | | 2 |