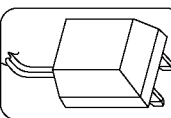
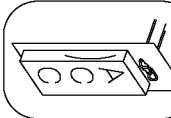


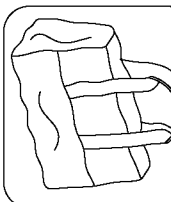
866



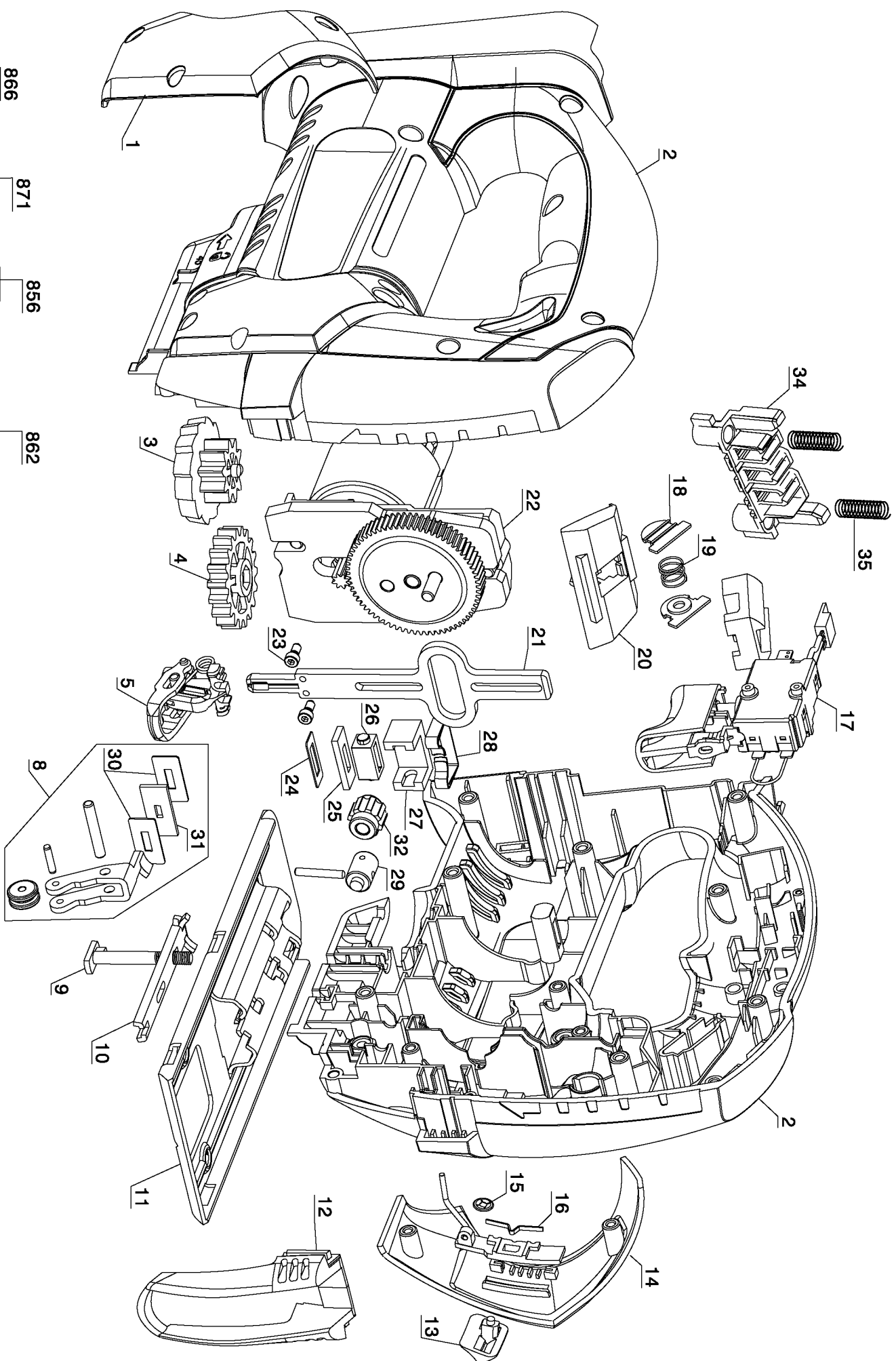
871



856



862



Parts List for FS18JS Type 1

Item Number	Part Number	Description	Qty Required
1	5145983-00	CLAMSHELL ASSY.	1
2	5145983-00	CLAMSHELL ASSY.	1
3	582601-00	ACTUATOR	1
4	582602-00	GEAR	1
5	582593-00	BLADE CLAMP	1
8	5146351-00	BLADE SUPPORT ASSY	1
9	5146690-00	SCREW-SPECIAL	1
10	5146007-00	BRACKET	1
11	90501796	SHOE ASSEMBLY	1
12	5145983-00	CLAMSHELL ASSY.	1
13	5145983-00	CLAMSHELL ASSY.	1
14	5145983-00	CLAMSHELL ASSY.	1
15	5145983-00	CLAMSHELL ASSY.	1
16	5145983-00	CLAMSHELL ASSY.	1
17	5146002-00	VAR. SPEED SWITCH	1
18	5145996-00	ACTUATOR & SPR.	2
19	5145996-00	ACTUATOR & SPR.	1
20	5145996-00	ACTUATOR & SPR.	1
21	5146350-00	RECIP. SHAFT ASSY.	1
22	5146010-00	MOTOR & GEARBOX	1
23	5146354-00	SCREW	2
24	5146350-00	RECIP. SHAFT ASSY.	1
25	5146350-00	RECIP. SHAFT ASSY.	1
26	5146350-00	RECIP. SHAFT ASSY.	1
27	795645-00	CARRIER	1
28	5146350-00	RECIP. SHAFT ASSY.	1
29	5146003-00	SELECTOR SHAFT	1

Parts List for FS18JS Type 1

Item Number	Part Number	Description	Qty Required
30	5146351-00	BLADE SUPPORT ASSY	2
31	5146351-00	BLADE SUPPORT ASSY	1
32	795688-00	ROLLER	1
34	5100034-00	TERMINAL BLOCK	1
35	5100035-03	SPRING	2
856	5147570-00	VACUUM ADAPTER	1
862	5147321-00	TOOL BAG	1
866	90503508	BATTERY PACK	1
871	5103069-12	CHARGER	1