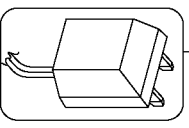
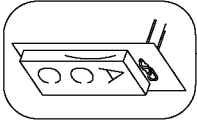


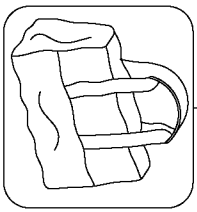
866



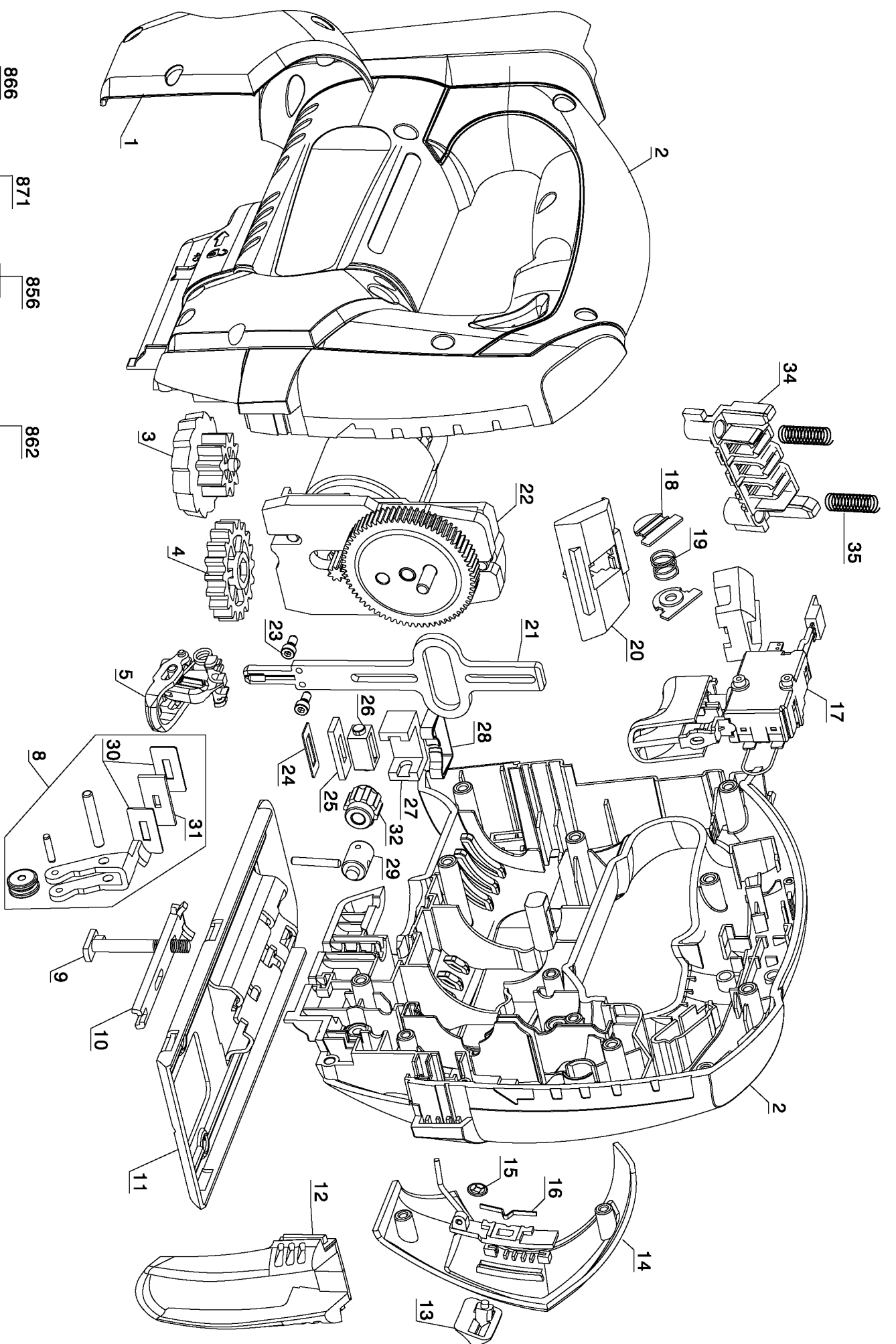
871



856



862



Parts List for FS1800JS Type 1

| Item Number | Part Number | Description | Qty Required |
|-------------|-------------|--------------------|--------------|
| 1 | 5145983-00 | CLAMSHELL ASSY. | 1 |
| 2 | 5145983-00 | CLAMSHELL ASSY. | 1 |
| 3 | 582601-00 | ACTUATOR | 1 |
| 4 | 582602-00 | GEAR | 1 |
| 5 | 582593-00 | BLADE CLAMP | 1 |
| 8 | 5146351-00 | BLADE SUPPORT ASSY | 1 |
| 9 | 5146690-00 | SCREW-SPECIAL | 1 |
| 10 | 5146007-00 | BRACKET | 1 |
| 11 | 90501796 | SHOE ASSEMBLY | 1 |
| 12 | 5145983-00 | CLAMSHELL ASSY. | 1 |
| 13 | 5145983-00 | CLAMSHELL ASSY. | 1 |
| 14 | 5145983-00 | CLAMSHELL ASSY. | 1 |
| 15 | 5145983-00 | CLAMSHELL ASSY. | 1 |
| 16 | 5145983-00 | CLAMSHELL ASSY. | 1 |
| 17 | 5146002-00 | VAR. SPEED SWITCH | 1 |
| 18 | 5145996-00 | ACTUATOR & SPR. | 2 |
| 19 | 5145996-00 | ACTUATOR & SPR. | 1 |
| 20 | 5145996-00 | ACTUATOR & SPR. | 1 |
| 21 | 5146350-00 | RECIP. SHAFT ASSY. | 1 |
| 22 | 5146010-00 | MOTOR & GEARBOX | 1 |
| 23 | 5146354-00 | SCREW | 2 |
| 24 | 5146350-00 | RECIP. SHAFT ASSY. | 1 |
| 25 | 5146350-00 | RECIP. SHAFT ASSY. | 1 |
| 26 | 5146350-00 | RECIP. SHAFT ASSY. | 1 |
| 27 | 795645-00 | CARRIER | 1 |
| 28 | 5146350-00 | RECIP. SHAFT ASSY. | 1 |
| 29 | 5146003-00 | SELECTOR SHAFT | 1 |

Parts List for FS1800JS Type 1

| Item Number | Part Number | Description | Qty Required |
|-------------|-------------|--------------------|--------------|
| 30 | 5146351-00 | BLADE SUPPORT ASSY | 2 |
| 31 | 5146351-00 | BLADE SUPPORT ASSY | 1 |
| 32 | 795688-00 | ROLLER | 1 |
| 34 | 5100034-00 | TERMINAL BLOCK | 1 |
| 35 | 5100035-03 | SPRING | 2 |
| 856 | 5147570-00 | VACUUM ADAPTER | 1 |
| 862 | 5147321-00 | TOOL BAG | 1 |
| 866 | 90503508 | BATTERY PACK | 1 |
| 871 | 5103069-12 | CHARGER | 1 |