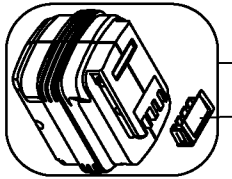
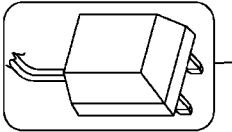


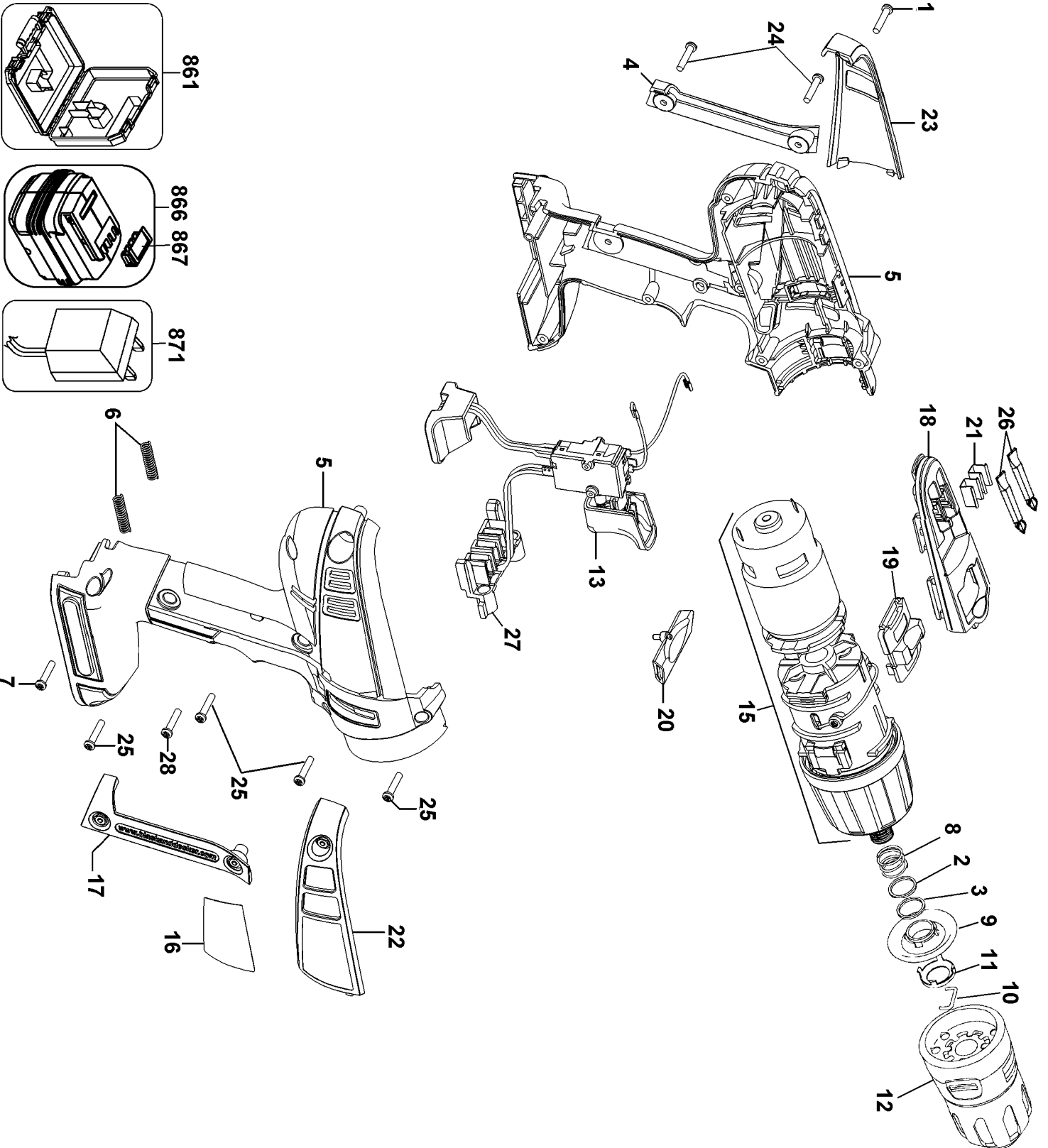
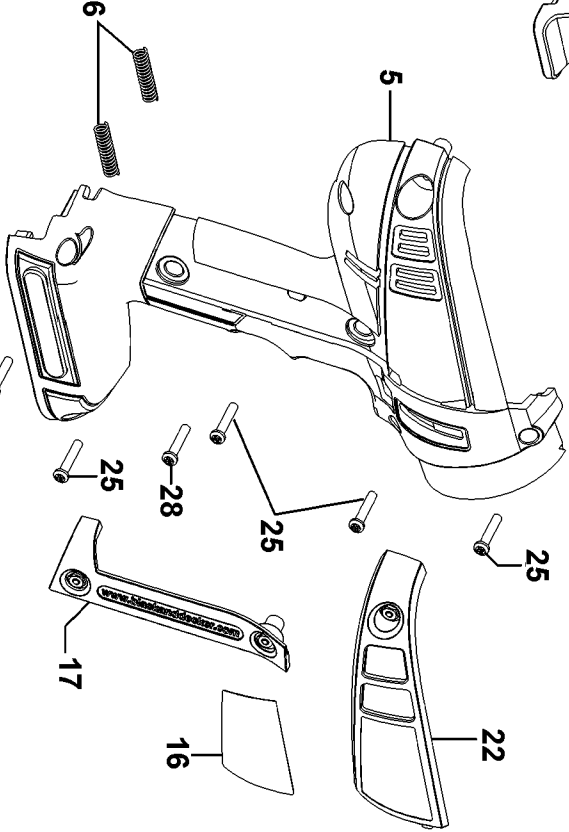
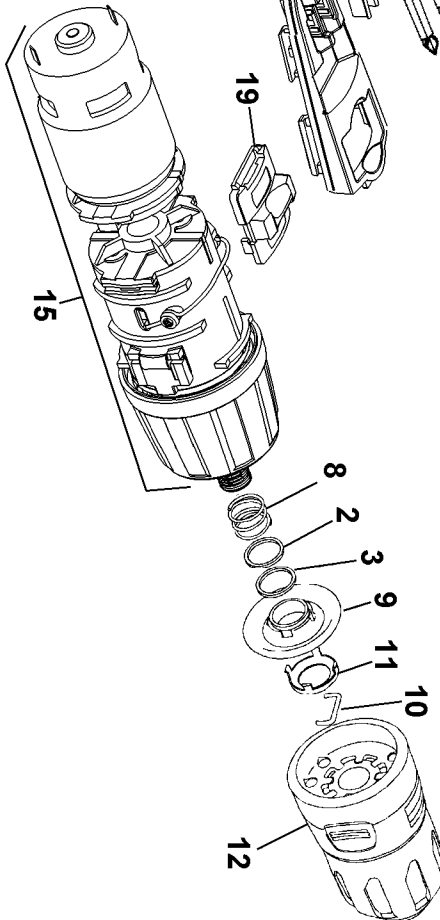
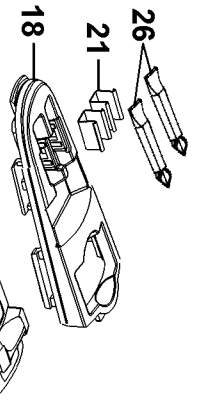
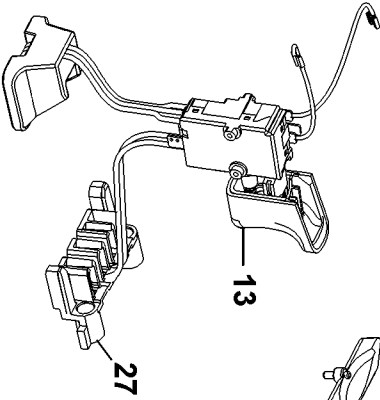
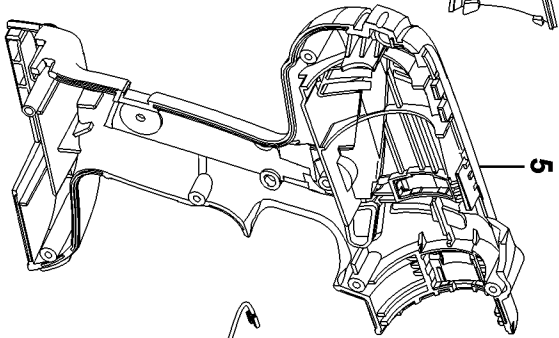
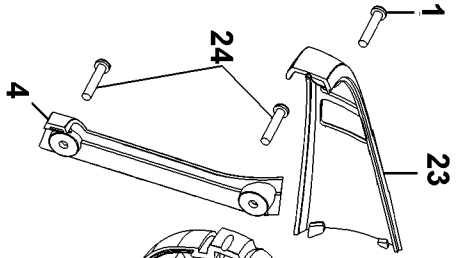
861



866 867



871



Parts List for FS1200D-2 Type 1

Item Number	Part Number	Description	Qty Required
1	5145507-03	SCREW	1
2	5101984-00	BEARING WASHER	1
3	5101752-00	WASHER	1
4	5146441-00	SIDE COVER	1
5	5145486-00	CLAMSHELL SET	1
6	5100035-03	SPRING	2
7	5146420-02	SCREW	1
8	5100117-00	SPRING	1
9	5100115-00	BIT RELEASE RING	1
10	497927-02	RETAINING CLIP	1
11	5100776-00	HUB CAP	1
12	5100799-09	CHUCK	1
13	5145508-00	VSR SWITCH	1
15	5145494-00	MOTOR & GEARBOX	1
16	000000-00	No Longer Available	1
17	5146442-00	SUPPORT COVER	1
18	5145492-00	TOP COVER	1
19	5146445-00	SHIFTER BUTTON	1
20	5145488-00	ACTUATOR FWR/REV	1
21	148354-03	BIT CLIP	2
22	5146444-00	SUPPORT PLATE	1
23	5146443-01	COVER PLATE	1
24	5145507-02	SCREW	2
25	5146420-01	SCREW	4
26	607918-41	SCREWDRIVER BIT	2
27	5100034-00	TERMINAL BLOCK	1
28	5146420-00	SCREW	1

Parts List for FS1200D-2 Type 1

Item Number	Part Number	Description	Qty Required
861	5102001-06	KITBOX	1
866	499948-25	BATTERY PACK	2
867	5102026-00	BATTERY CAP	2
871	90500928	CHARGER	1