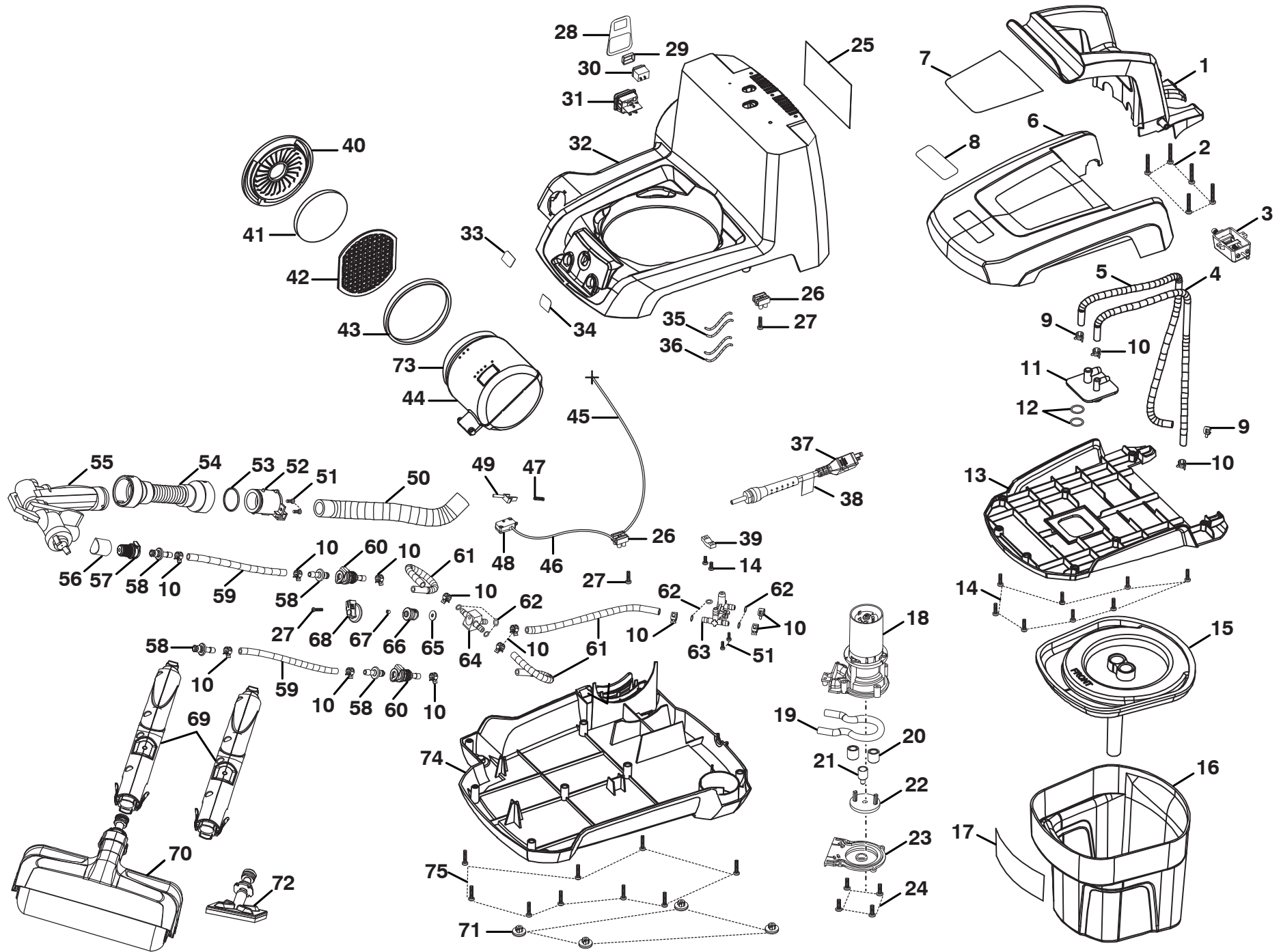


DUET™ POWER PAINT SYSTEM – MODEL NUMBER FPR300



DUET™ POWER PAINT SYSTEM – MODEL NUMBER FPR300

The model number will be found on a label attached to the motor housing. Always mention the model number in all correspondence regarding your **DUET™ POWER PAINT SYSTEM** or when ordering parts.

PARTS LIST

KEY NO.	PART NUMBER	DESCRIPTION	QTY	KEY NO.	PART NUMBER	DESCRIPTION	QTY
1	519416001	Handle	1	27	660206042	Screw (M3.5 x 16 mm).....	3
2	660259008	Screw (M4.5 x 35 mm).....	5	28	940221120	Power Direction Label.....	1
3	303298002	By-Pass Valve Assembly	1	29	550338004	Switch Cover	1
4	560180002	Tube (460 mm)	1	30	760223002	Switch (On/Off)	1
5	560181001	Tube (470 mm)	1	31	760223003	Rocker Switch.....	1
6	519424001	Paint System Top.....	1	32	519421001	Main Housing.....	1
7	940976573	Data Label	1	33	940221115	Graphic Label A.....	1
8	940114158	Logo Label.....	1	34	940221116	Graphic Label B.....	1
9	633188001	Quick Spring Clamp.....	2	35	290061213	Receptacle & Wire Assembly.....	2
10	633095001	Quick Spring Clamp.....	14	36	290061214	Receptacle & Wire Assembly	2
11	519474001	Connector (Import & Export).....	1	37	290086091	Receptacle & Power Cord Assembly.....	1
12	560177001	O-Ring (OD 19 x ID 15.6 mm).....	2	38	940221118	Warning Label.....	1
13	519423001	Rotation Support	1	39	590501002	Cord Clamp	1
14	660208048	Screw (M4 x 16 mm).....	10	40	519425001	Vent Window.....	1
15	519420001	Paint Container Lid	1	41	902340001	Fiber Washer.....	1
16	519419001	Container	1	42	519646001	Vent Window Filter.....	1
17	940221119	Quick Start Label	1	43	560173001	Gasket (OD 109 x ID 102 x 8 mm)	1
18	303454001	Motor Pump Assembly	1	44	303455001	Motor Housing Cover Assembly.....	1
19	520024001	Pump Tube.....	1	45	290061211	Receptacle & Wire Assembly.....	1
20	519494001	Pump Roller	2	46	290061212	Receptacle & Wire Assembly.....	1
21	520366001	Pump Shaft.....	1	47	6799802	Spring (OD 5.2 x ID 4.0, Dia 0.6 x 21 mm)....	1
22	519496001	Pump Body Cover	1	48	7622701	Switch	1
23	519492001	Pump Housing Cover	1	49	519472001	Activator.....	1
24	660313004	Screw (8-16).....	4	50	520023001	Air Tube (250 mm).....	1
25	940221121	Finish Sprayer Label	1	51	660208038	Screw (M4 x 10 mm).....	4
26	690331001	Terminal Block	2	52	519471001	Air Tube Connector.....	1

DUET™ POWER PAINT SYSTEM – MODEL NUMBER FPR300

The model number will be found on a label attached to the motor housing. Always mention the model number in all correspondence regarding your **DUET™ POWER PAINT SYSTEM** or when ordering parts.

PARTS LIST

KEY NO.	PART NUMBER	DESCRIPTION	QTY	KEY NO.	PART NUMBER	DESCRIPTION	QTY
53	560166001	O-Ring (OD 30 x ID 23.6).....	1	67	301146003	Spring Plunger Assembly	1
54	303320001	Air Tube Assembly (3680 mm).....	1	68	519966001	Valve Knob.....	1
55	303304001	Finish Sprayer	0.25MT	69	303312001	Handle Assembly.....	2
56	560823002	Seal Tape	1	70	303311001	Paint Roller Assembly.....	1
57	303314001	Female Quick Connector.....	1	71	560171001	Rubber Pad.....	4
58	303294001	Male Quick Connector.....	4	72	201528003	Cut-In Pad (1/4 in).....	1
59	520022001	Pick Up Tube (3680 mm, Fluid).....	2	73	230357001	Motor Assembly (Includes Key No. 44)	1
60	303293001	Female Quick Connector.....	2	74	519418001	Base.....	1
61	560179001	Pick Up Tube (250 mm, Fluid).....	3	75	660208049	Screw (M4 x 22 mm).....	11
62	560174001	O-Ring (OD 7.7 x ID 4.3 mm)	7	Not Shown:			
63	519473001	Multi-Hole Connector	1	987000610	Operator's Manual (961067182)		
64	519934001	Valve	1	11-4-10			
65	560172001	Rubber Cushion.....	1	(Rev:06)			
66	519913001	Switch Trigger	1				