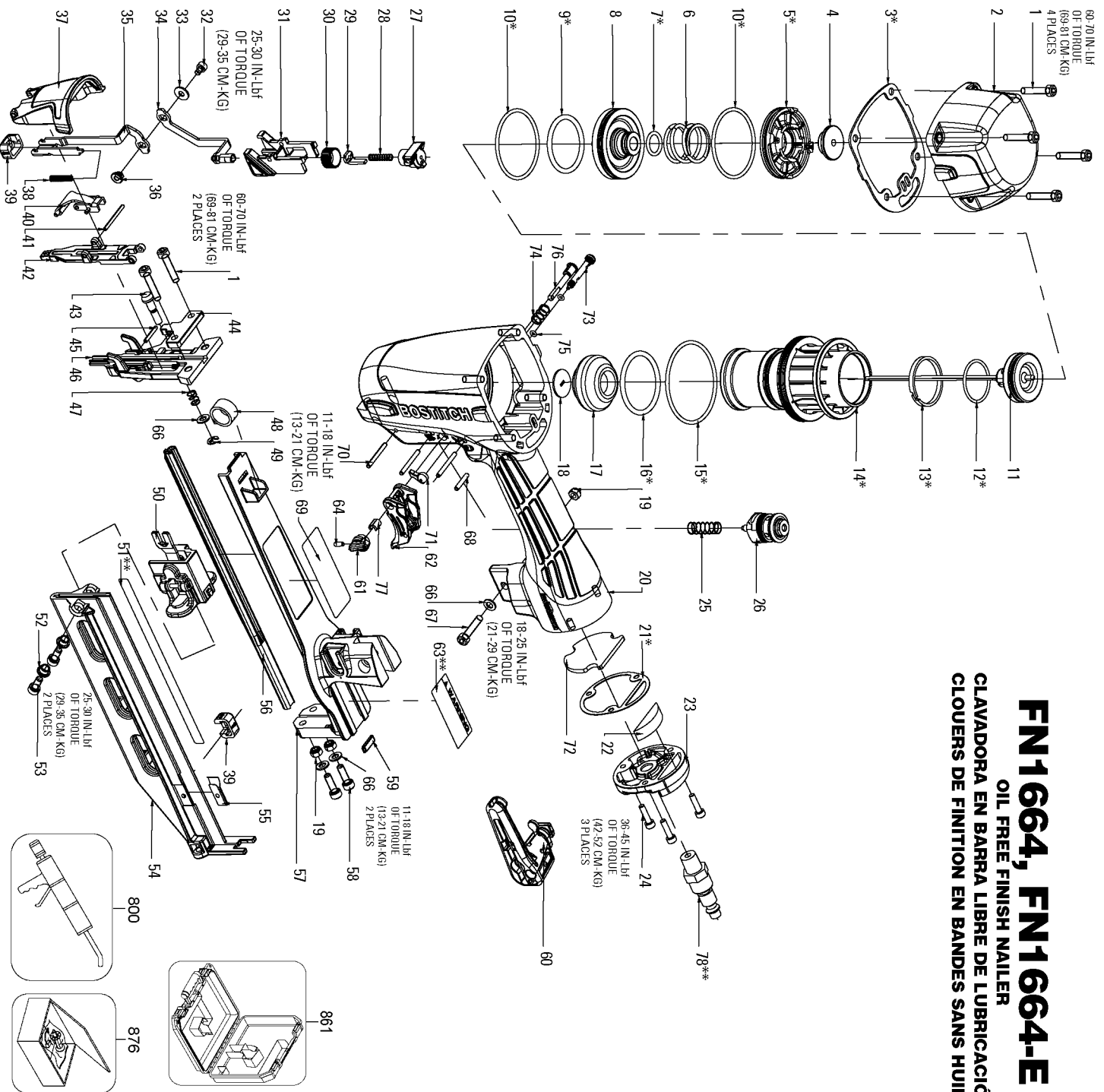


# FN1664, FN1664-E

OIL FREE FINISH NAILER  
 CLAVADORA EN BARRA LIBRE DE LUBRICACIÓN  
 CLOUERS DE FINITION EN BANDES SANS HUILE



IP1280-1REV.D 10/08  
 TO BE USED WITH PARTS LIST IP1280-2 AND OPERATION AND MAINTENANCE MANUAL 180586.

\* Included in Rebuild Kit  
 \*\* Not Included in FN1664-E

## Parts List for FN1664 Type 0

Item Number	Part Number	Description	Qty Required
1	MSC5080-25	SCREW-SHCS-M5X0.80X2	6
2	181918	ASSEMBLY-CAP	1
3	180226	GASKET-FRAME/CAP	1
4	180533	TOP SEAL-HEAD VALVE	1
5	180230	SEAL-HEAD VALVE	1
6	180532	SPRING-HEAD VALVE	1
7	100843	O-RING-.543X.094	1
8	180537	HEAD VALVE	1
9	182253	O-RING	1
9	180536	O-RING-37.4MMX3.5MM	1
10	850605	O-RING-1.925X.103-NB	2
11	180292	ASSEMBLY-PISTON/DRIV	1
12	180544	O-RING-31.0MMX2.0MM	1
13	180543	RING-PISTON	1
14	180538	SLEEVE-CLYNINDER	1
15	S06A014100	O-RING	1
16	180540	O-RING-41.7MMX3.5MM	1
17	180549	BUMPER	1
18	180293	DRIVER GUIDE	1
19	MHE5080-100	NUT-NYLON M5X.80	3
20	180222	FRAME-OVERMOLD	1
21	180463	GASKET-END CAP	1
22	180577	MUFFLER	1
23	180465	END CAP	1
24	MSC4070-16	SCREW-SHCS-M4X0.7X16	3
25	180476	SPRING-TRIGGER	1
26	TVA15	TRIGGER VALVE	1

## Parts List for FN1664 Type 0

Item Number	Part Number	Description	Qty Required
27	180514	GUIDE-UPPER TRIP	1
28	180513	SPRING	1
29	180510	ASSEMBLY-UPPER CONTA	1
30	180509	ADJUSTING KNOB	1
31	180290	GUIDE-TRIP	1
32	MSC4070-6	SCREW-SHCS-M4X0.70X6	1
33	121294	WASHER	1
34	180310	ASSEMBLY-TRIP	1
35	180234	ARM-LOWER CONTACT	1
36	180311	NUT	1
37	180229	COVER-LOWER CONTACT	1
38	180312	SPRING-CONTACT ARM	1
39	180213	FOOT-CONTACT (NO MAR	1
40	180294	ASSEMBLY-PINCH PLATE	1
41	180552	PIN-SPRING-M2.5X30MM	1
42	180212	DOOR-MACHINING	1
43	180220	LOCKOUT-DRYFIRE	1
44	180237	DRIVER GUIDE B	1
45	MPG025018	PIN-SPRING-M2.5X18MM	1
46	180210	NOSE-MACHINING	1
47	180550	SPRING-LOCKOUT	1
48	180563	SPRING-CONTACT FORCE	1
49	180551	E-RING-4MM	1
50	180232	ASSEMBLY-PUSHER	1
51	180303	LABEL-PRODUCT/FASTEN	1
52	180235	BUSHING	2
53	MSC5080-12	SCREW-SHCS-M5X0.8X12	2

## Parts List for FN1664 Type 0

Item Number	Part Number	Description	Qty Required
54	181916	MAGAZINE-BOTTOM	1
55	180564	NAIL STOP	1
56	180560	ASSEMBLY-NAIL LINER	1
57	180236	MAGAZINE-UPPER	1
58	MSC5080-16	SCREW-SHCS-M5X0.80X1	2
59	180581	END COVER-SENSOMATIC	1
60	180515	ASSEMBLY-BELT HOOK	1
61	184506	BUTTON-MODE SWITCH	1
62	184513	ASSEMBLY-TRIGGER	1
63	180582	LABEL-WARNING	1
64	180484	SCREW-SET-M3X8MM	1
66	180569	WASHER-PLAIN-D5X10X1	3
67	MSC5080-22.2	SCREW-SHCS-M5X0.80X2	1
68	107583	PIN SPRING	1
69	180296	LABEL-WARNING	1
70	174345	PIN SPRING	1
71	184518	BUTTON-TRIGGER LOCK	1
72	182235	AIR FILTER	1
73	184519	PIN-TRIGGER LOCK	1
74	180481	SPRING-MODE SWITCH	1
75	MRG002514	O-RING-.098X.055	1
76	184507	PIN-MODE SWITCH	1
77	184508	BUSHING	1
800	100653	LUBE (2CC)	1
800	100679	LUBE (1LB.CAN)	1
861	180584	BLOW MOLDED CASE-FN1	1
876	TVA15RF	ACTUATOR ASSY.	1

## Parts List for FN1664 Type 0

Item Number	Part Number	Description	Qty Required
876	FN1664-RK	FN1664 REBUILD KIT	1