

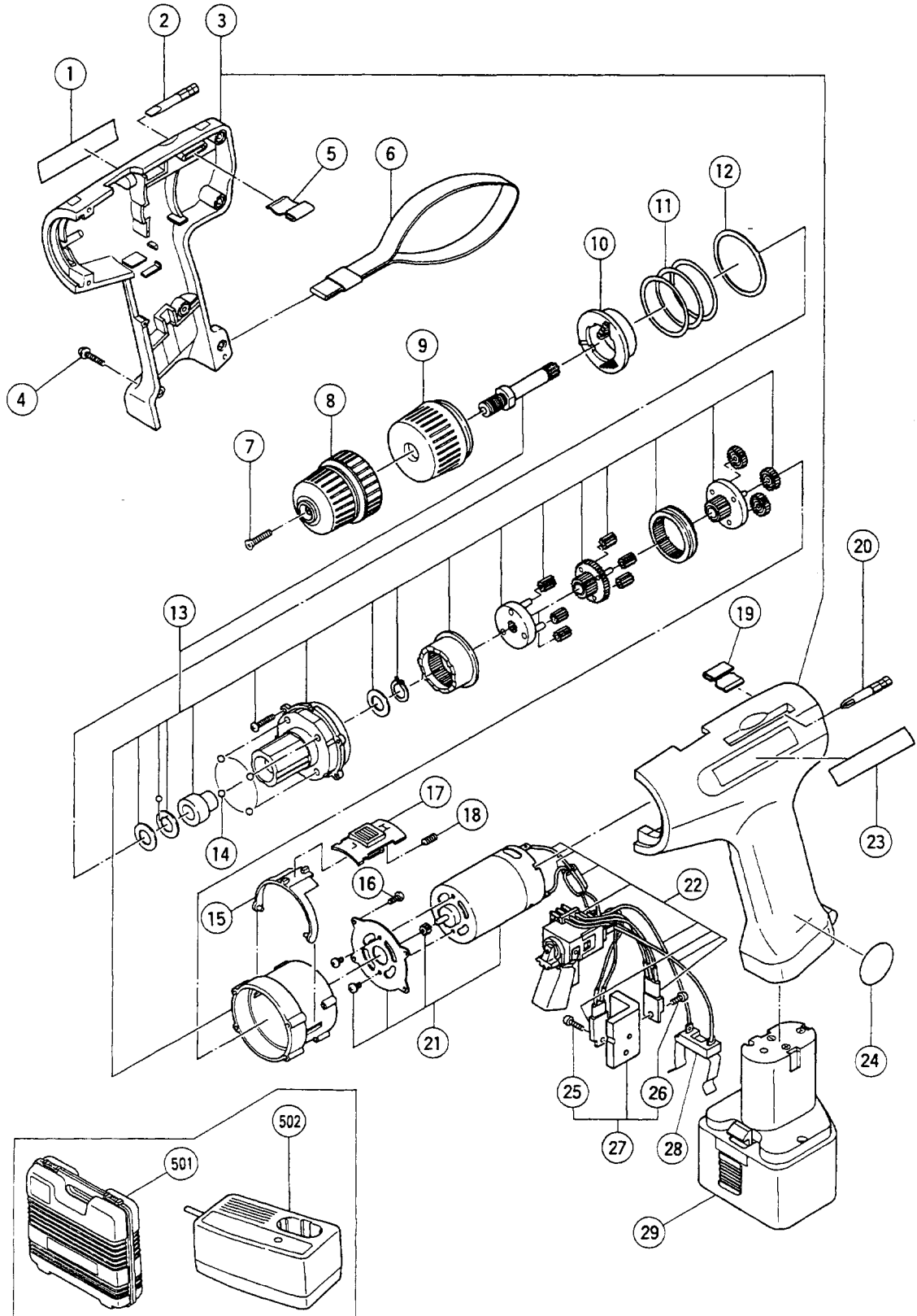
HITACHI

LIST NO. E893

ELECTRIC TOOL PARTS LIST

■ CORDLESS DRIVER DRILL
Model FDS 10DVA

1995 • 6 • 30
(E1)



PARTS

FDS 10DVA

ITEM NO.	CODE NO.	DESCRIPTION	NO. USED	REMARKS	
1		NAME PLATE	1		
2	308-511	- DRIVER BIT 4MMX50L	1		
3	310-794	HOUSING (A),(B) SET	1		
4	309-614	TAPPING SCREW (W/FLANGE) D3X14	7		
5	309-611	BIT HOLDER (B)	1		
6	309-617	STRAP	1		
7	980-836	FLAT HD. SCREW (LEFT HAND) M5X20	1		
8	303-915	DRILL CHUCK 10TLRA - N (W/O CHUCK HANDLE)	1		
9	309-599	CAP	1		
10	309-600	SPRING HOLDER	1		
11	309-601	SPRING	1		
12	309-602	THRUST PLATE	1		
13	309-604	SPINDLE AND GEAR SET	1		
14	309-603	STEEL BALL	4		
15	309-607	SHIFT ARM	1		
16	309-606	TAPPING SCREW D3X8	4		
17	309-608	SHIFT KNOB	1		
18	309-609	SHIFT SPRING	1		
19	309-612	BIT HOLDER (A)	1		
20	308-510	+DRIVER BIT NO.2X50L	1		
21	310-793	MORTOR	1		
22	310-155	SWITCH (1P SOLDER TYPE)	1		
22	310-795	SWITCH (1P SOLDER TYPE)	1	FOR EUROPE	
23		DECORATION NAME PLATE	1		
24		MARK PLATE	1		
25		FT SCREW M3X10	1		
26		FT SCREW M3.5X8	1		
27	310-156	FIN ASS'Y	1	INCLUD.25,26	
28	310-157	TERMINAL	1		
*	29	310-874	BATTERY FEB 9 (W/ENGLISH N.P.)	1	
*	29	310-767	BATTERY FEB 9 (W/ENGLISH N.P.)	1	FOR EUROPE
*	29	310-766	BATTERY FEB 9 (W/ENGLISH N.P.)	1	FOR USA

STANDARD ACCESSORIES

ITEM NO.	CODE NO.	DESCRIPTION	NO. USED	REMARKS
501	309-926	CASE	1	
502		CHARGER (MODEL UC 9SC)	1	

* : ALTERNATIVE PARTS