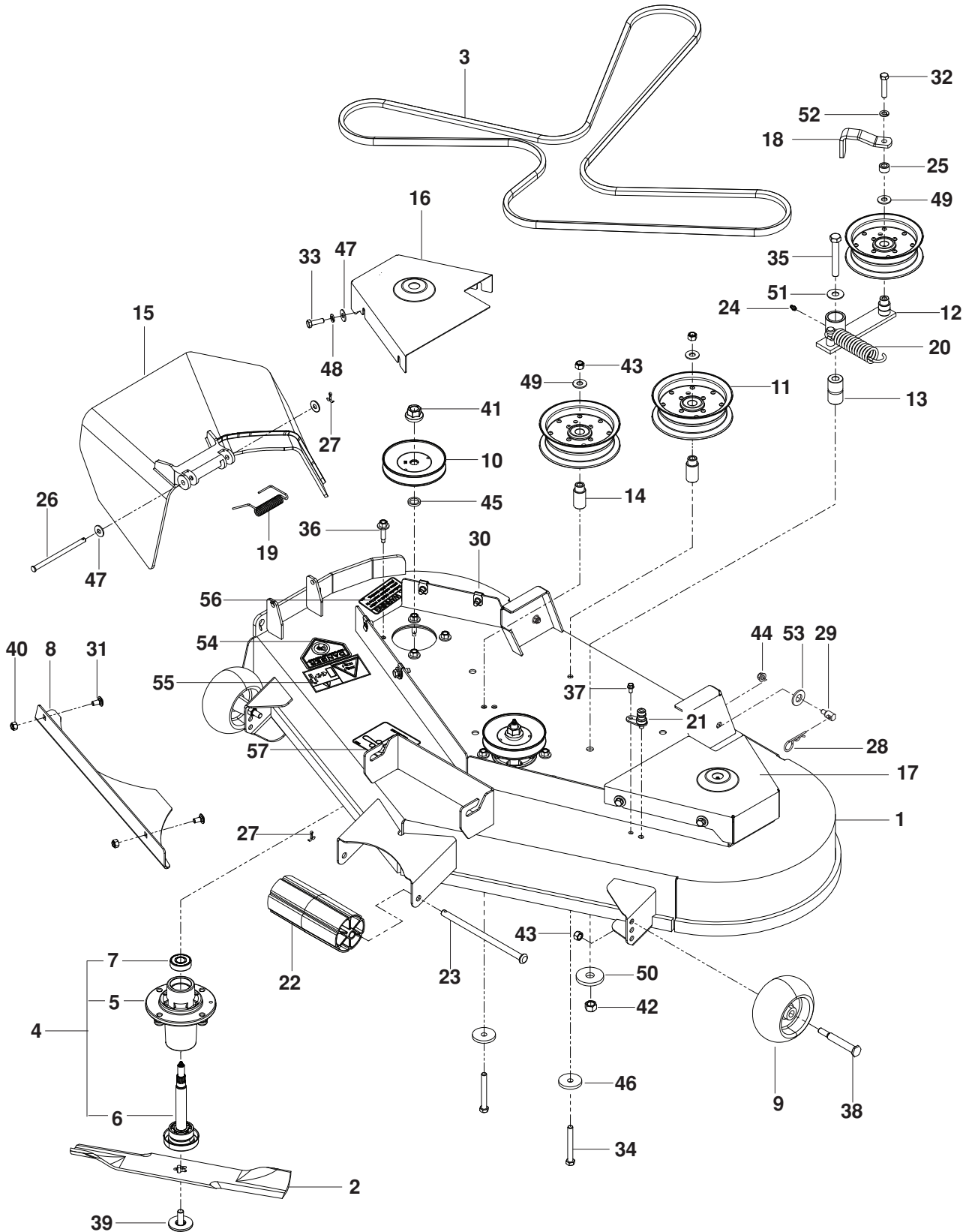


# MOWER DECK / CUTTING DECK

FD48E



# MOWER DECK / CUTTING DECK

---

ITEM	PART NO.	QTY.	DESCRIPTION	ITEM	PART NO.	QTY.	DESCRIPTION
1..	522 745701....	1....	DECK w/DECALS ORG	30..	539 104763....	8....	RETAINER, U TYPE
2..	539 113425....	3....	BLADE	31..	539 990799....	2....	RHSNB $\frac{5}{16}$ -18 x $\frac{5}{8}$
3..	539 103013....	1....	BELT, DECK	32..	539 990730....	1....	HCS $\frac{3}{8}$ -16 x $1\frac{3}{4}$
4..	539 112170....	3....	MANDREL ASSY	33..	539 990209....	8....	HCS $\frac{5}{16}$ -18 x 1
5..	539 112077....	3....	HOUSING, MANDREL	34..	539 101341....	2....	HCS $\frac{3}{8}$ -16 x 3
6..	539 112056....	3....	SHAFT, MANDREL	35..	539 103433....	1....	HCS $\frac{1}{2}$ -13 x $3\frac{1}{4}$
7..	539 112050....	3....	BEARING, BALL	36..	539 107630..	12....	SCREW $\frac{5}{16}$ -18 x WSH HD
8..	539 113427....	1....	PLATE, CONFINEMENT	37..	539 108461....	1....	BOLT $\frac{1}{4}$ -20 x $\frac{1}{2}$
9..	539 107610....	2....	WHEEL, GAUGE	38..	539 107608....	2....	BOLT $\frac{3}{8}$ -16 x $3\frac{5}{8}$ SHOULDER
10..	532 173434....	3....	PULLEY, MANDREL	39..	539 107522....	3....	BOLT ASSY, BLADE
11..	539 132728....	3....	PULLEY, IDLER	40..	539 990717....	2....	NUT $\frac{5}{16}$ -18 HEX NYLOC
12..	539 112198....	1....	ARM, IDLER	41..	539 107590....	3....	NUT $\frac{9}{16}$ TOP CNTRLK
13..	539 103427....	1....	BUSHING, PIVOT	42..	539 101331....	1....	NUT $\frac{1}{2}$ HEX NYLOC
14..	539 112169....	2....	BUSHING, IDLER	43..	539 976979....	4....	NUT $\frac{3}{8}$ -16 HEX NYLOC
15..	539 110732....	1....	CHUTE, DISCHARGE	44..	539 112899....	2....	NUT $\frac{5}{16}$ -18 HEX FLG NYLOC
16..	521 953401....	1....	BELT SHIELD, RT	45..	539 107520....	3....	WASHER SPACER
17..	521 953501....	1....	BELT SHIELD, LT	46..	539 106504....	2....	WASHER, HEAVY
18..	539 114981....	1....	GUIDE, BELT	47..	539 990692..	10....	WASHER $\frac{5}{16}$ STD FLAT
19..	539 110735....	1....	SPRING, TORSION	48..	539 990187....	8....	WASHER $\frac{5}{16}$ SLW
20..	539 103256....	1....	SPRING	49..	539 990517....	3....	WASHER $\frac{3}{8}$ FLAT STD
21..	532 415598....	1....	PORT, WASHOUT	50..	539 102243....	1....	WASHER, SUPPORT
22..	532 176066....	1....	ROLLER, NOSE	51..	539 990550....	1....	WASHER $\frac{1}{2}$ STD FLAT
23..	532 179127....	1....	ROD, NARROW	52..	539 990118....	1....	WASHER $\frac{5}{16}$ SPLT LOCK
24..	539 976998....	1....	ZERK	53..	539 976982....	2....	WASHER $\frac{5}{8}$ SAE FLAT
25..	539 923515....	1....	SPACER	54..	539 913010....	1....	DECAL, BLADES WARNING
26..	539 110736....	1....	PIN, CLEVIS $\frac{5}{16}$	55..	539 105746....	1....	DECAL, SEVERING
27..	539 990365....	2....	PIN, COTTER $\frac{1}{8}$ x $\frac{3}{4}$	56..	539 113224....	1....	DECAL, DEFLECTOR
28..	539 976989....	2....	HAIRPIN #4	57..	539 112620....	1....	DECAL, BELT ROUTING
29..	532 195161....	2....	STUD w/ ANTI-ROTATE				