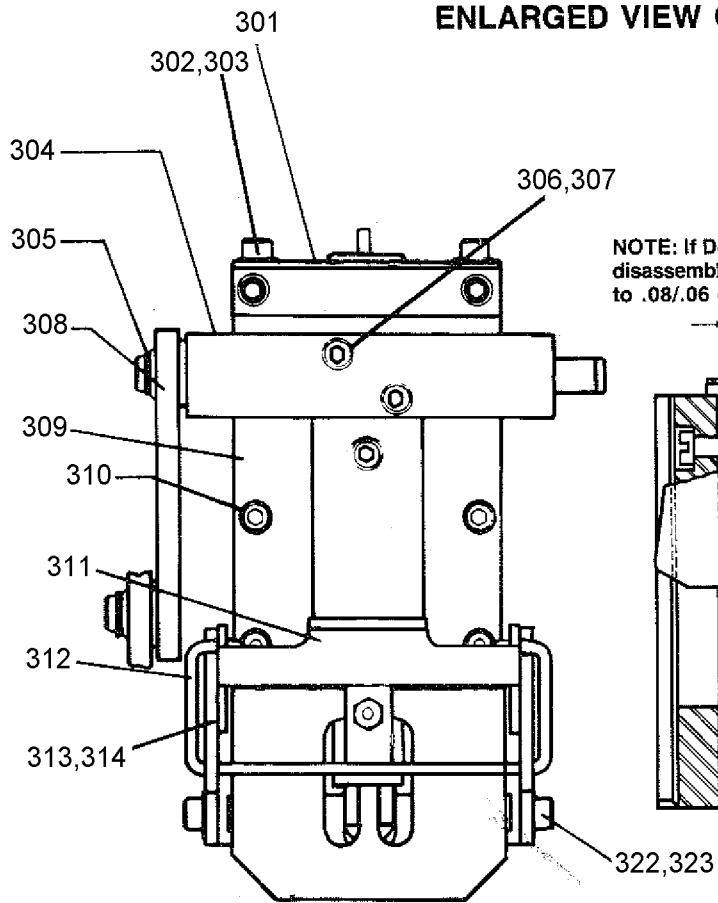
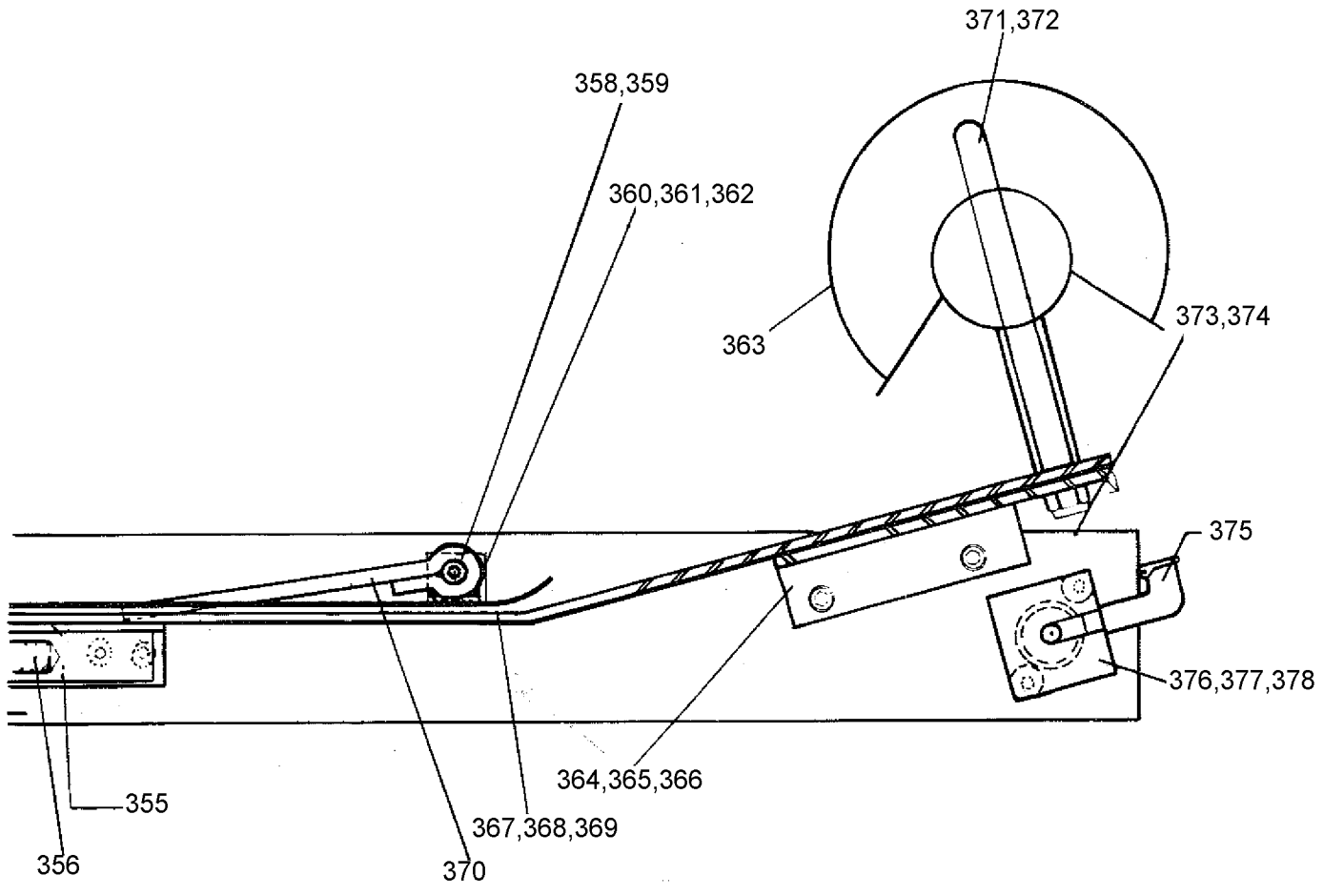
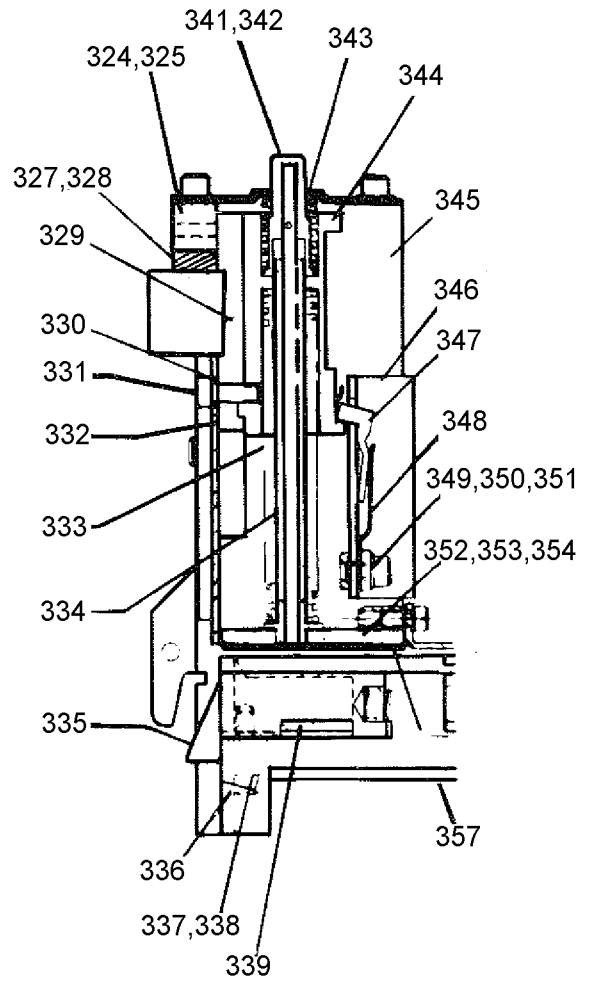
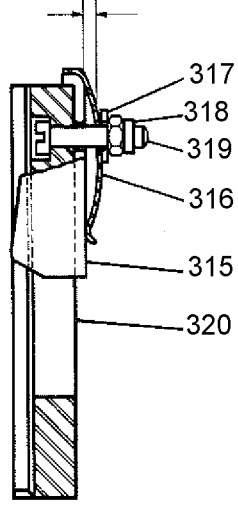


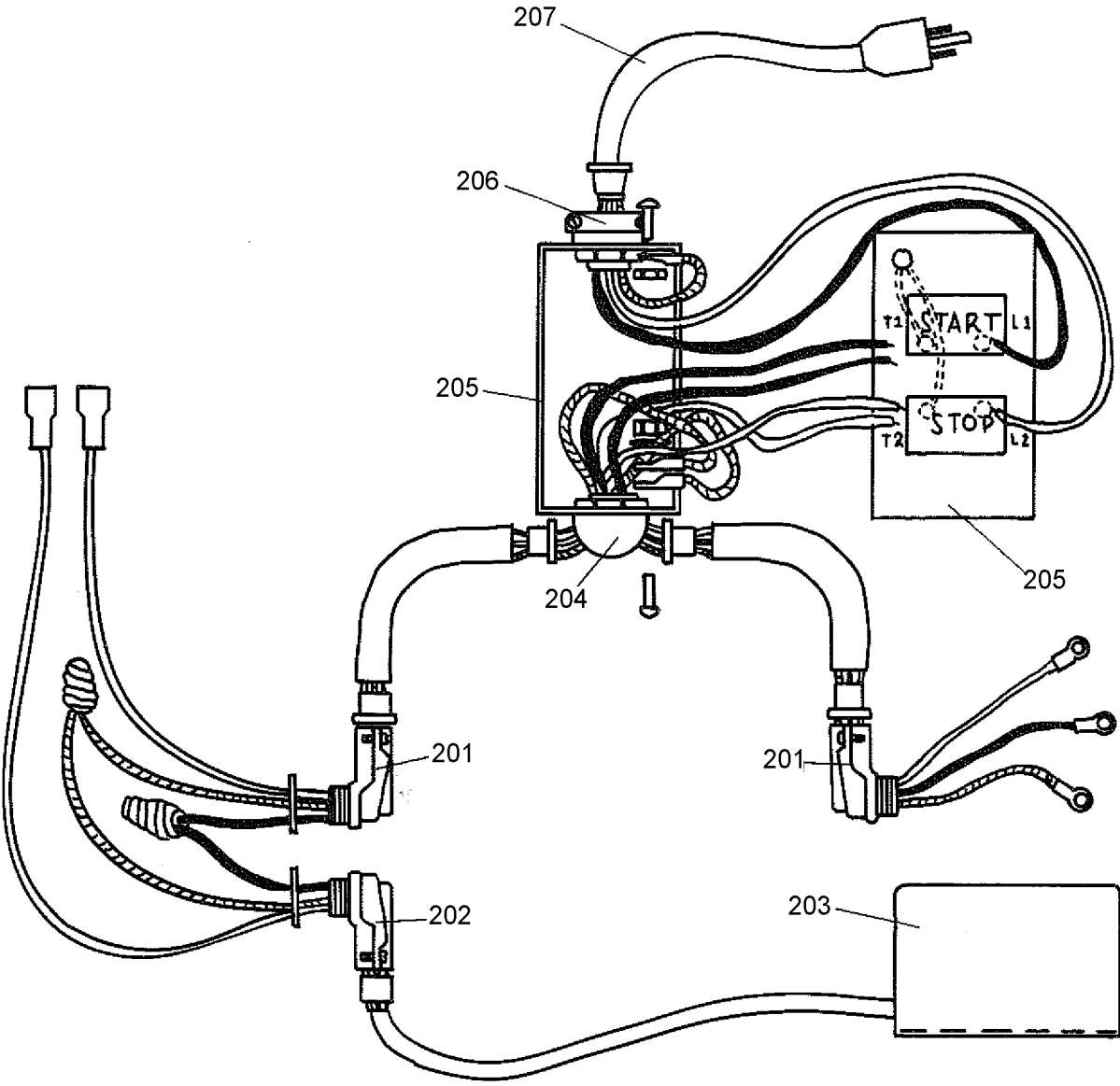
ENLARGED VIEW OF HEAD — FC9500EC



NOTE: If Door Assembly is disassembled, reset Spring to .08/.06 dimension.



ELECTRICAL PARTS FOR FC95ECARM — 60 CYCLE



Parts List for FC95ECARM Type 0

Item Number	Part Number	Description	Qty Required
2	FC136A	LINK ARM ASSEMBLY -	1
3	FC137A	FC137A	1
4	000000-00	No Longer Available	1
5	UA3308.4	SCREW-SLPHS-10-24X1/	1
6	SW10	WASHER- ITLW#10	1
7	FC140	PIN	1
8	UA4808.3	SCREW-1/4-20 X 1/2 S	2
9	000000-00	No Longer Available	2
10	LW14	WASHER-1/4 LOCK ZINC	2
12	000000-00	No Longer Available	1
15	000000-00	No Longer Available	1
16	UA3810.4	SCREW-10-24 X 5/8 SH	1
17	000000-00	No Longer Available	1
18	850673	WRAP SPRING CLUTCH B	1
19	FC9633	KEY	1
20	851278	RETAINING RING- #510	1
22	SW14	WASHER-1/4 INT T LOC	1
24	FC9656	CLUTCH ANCHOR	1
25	UA8164	SCREW-1/2-13 X 4 HHC	1
26	HN1213.2	NUT-1/2-13 HEX JAM B	1
27	000000-00	No Longer Available	1
29	PW516	WASHER-5/16 SAE FLAT	1
30	LW516	WASHER-5/16 REG HEL	3
31	HN51618	NUT-5/16-18 HEX BLAC	3
32	FC9723	BELT GUARD	1
33	850730	BELT	1
34	000000-00	No Longer Available	1

Parts List for FC95ECARM Type 0

Item Number	Part Number	Description	Qty Required
35	FC9620	PULLEY-MOTOR	1
36	000000-00	No Longer Available	1
37	000000-00	No Longer Available	1
38	UA6112.3	BOLT-3/8-16 X 3/4 HE	1
39	851737	ROD END BALL JOINT -	1
40	851981	MOTOR	1
41	000000-00	No Longer Available	1
42	FC103B	CLINCHER	1
43	PW12.5	WASHER-1/4 SAE FLAT	1
44	UA4306.1	SCREW-1/4-20 X3/8 RD	1
45	FC9636A	BEARING HOUSING COMP	1
46	UA4116.4	SCREW-1/4-20 X 1 HHC	1
47	FC9629	PUSH ROD	1
48	FC143	BEARING-ROD END	1
49	000000-00	No Longer Available	1
50	000000-00	No Longer Available	1
51	FC9623W	CRANK SHAFT COMPLETE	1
52	UA4812.7	SCREW-1/4-20 X 3/4 F	1
53	000000-00	No Longer Available	1
54	000000-00	No Longer Available	1
55	FC9630	COVER	1
56	85198	CABLE CLAMP	1
57	85126	CONNECTOR-3/8-90CSA	1
59	FC9657	RUBBER PAD	1
60	FC9614	PIVOT	1
61	FC9615	PIVOT SPACER	1
62	86290	REATINING RING-TRUAR	1

Parts List for FC95ECARM Type 0

Item Number	Part Number	Description	Qty Required
63	FC9619	HEAD MOUNT TIE	1
64	FC9665	SPRING SPACER	1
65	FC260	REBOUND SPRING R.H.	1
66	FC261	REBOUND SPRING L.H.	1
67	UA4814.1	SCREW-SHCS-1/4-20 X	1
69	FC141	SPACER	1
70	HN51618.2	NUT-5/16-18 HEX JAM	1
71	FC104	CLINCER RET. PLATE	1
72	UA4812.1	SCREW-1/4-20 X 3/4 S	1
73	851279	SWITCH-FOOT W/CABLE	1
75	000000-00	No Longer Available	1
76	HN1220.5	NUT-1/2-20 HEX JAM L	1
78	UA6112.3	BOLT-3/8-16 X 3/4 HE	1
79	UA2912	SCREW-#8 X 3/4 SLRDH	1
81	HN1032.2	NUT-10-32 NYL INS LZ	1
82	000000-00	No Longer Available	1
83	UA3806.21	SCREW-#10 X 3/8 SLOT	1
84	UA3308.2	SCREW-10-32 X 1/2 RH	1
85	88038	NYLON CABLE CLAMP-3/	1
86	851568	TUBING-NEOPRENE 5/16	1
87	FC9564A	ARM-R.H. GUARD	1
88	FC9565A	ARM-L.H. GUARD	1
89	UA8128.1	SCREW-1/2-13 X 1 3/4	1
90	000000-00	No Longer Available	1
92	HN1213.5	NUT-1/2-13 HVY NYL I	1
93	UA5828.4	SCREW-5/16-18 X 1 3/	1
94	FC9563	SHIELD	1

Parts List for FC95ECARM Type 0

Item Number	Part Number	Description	Qty Required
95	UA4114.1	SCREW-1/4-20 X 7/8 H	1
97	FC9716	SPRING ROLLER	1
99	85198	CABLE CLAMP	1
100	000000-00	No Longer Available	1
101	HN1032	NUT-10-32 STD HEX ZI	1
102	UA5112.1	SCREW-5/16-18 X 3/4	1
201	85126	CONNECTOR-3/8-90CSA	2
203	851279	SWITCH-FOOT W/CABLE	1
204	000000-00	No Longer Available	1
205	851738	MOTOR STARTER	1
206	85128	CONNECTOR-3/8 STRAIG	1
207	86243	CORD-POWER 110V	1
301	FC9712	TOP GUIDE PLATE	1
302	000000-00	No Longer Available	1
303	SW10E.2	WASHER-#10 EXT/INT T	1
304	FC9548A	CROSS BAR ASSEMBLY	1
305	85017	RETAINING RING-5100-	1
306	UA3820	SCREW-10-32 X 1 1/4	1
307	SW10	WASHER- ITLW#10	1
308	FC9527A	DRIVE LINK ASSEMBLY	1
309	FC9517	FRONT PLATES	1
310	000000-00	No Longer Available	1
311	FC9531A	LATCH PLATE ASSEMBLY	1
312	FC9533	SPRING-LATCH	1
313	FC9530	LATCH PLATE L.H.	1
314	FC9529	LATCH PLATE R.H.	1
315	FC9534B	SUPPORTER	1

Parts List for FC95ECARM Type 0

Item Number	Part Number	Description	Qty Required
316	FC9536	SPRING	1
317	PW5.1	WASHER #5 FLATWASHER	1
318	HN540.2	NUT-5-40 NYL INSERT	1
319	FC9561	PIVOT SCREW	1
320	FC9528DA	DOOR ASSEMBLY	1
322	UA3808.1	SCREW-10-32 X 1/2 SH	1
323	SW10E.2	WASHER-#10 EXT/INT T	1
324	FC9711	BUMPER BLOCK	1
325	UB3014	PIN- 3/16 X 13/16 RO	1
327	FC9505	BUMPER	1
328	UA3806.9	SCREW-10-32 X 3/8 SB	1
329	FC9506	FORMER	1
330	FC9516	SPACER	1
331	UA3808.1	SCREW-10-32 X 1/2 SH	1
332	FC9725	DRIVER- FC95 NEW	1
333	FC9514	SPRING	1
334	FC9508A	GUIDE TUBE ASSEMBLY	1
335	FC9522	CAM - PUSHER	1
337	UA3808.1	SCREW-10-32 X 1/2 SH	1
338	SW10E.2	WASHER-#10 EXT/INT T	1
339	FC9521	PUSHER	1
341	FC9714	LOCK ROD	1
342	FC9713	LOCK ROD HOUSING	1
343	FC9549	SPRING-TOP LOCK	1
344	FC9507	INTERLOCKING BLOCK	1
345	FC9718A	HEAD CASTING ASSEMBLB	1
346	FC9503A	INTERLOCKING BRACKET	1

Parts List for FC95ECARM Type 0

Item Number	Part Number	Description	Qty Required
347	C40C	DRIVER STOP	1
348	C41B	SPRING-DRIVER STOP	2
349	FC9680	PLATE- DRIVER STOP S	1
350	000000-00	No Longer Available	1
351	LW10	WASHER- HSLWM#10	1
353	UA3806.9	SCREW-10-32 X 3/8 SB	1
354	SW10	WASHER- ITLW#10	1
356	FC9523	SPRING-SUPPORTER	1
357	FC9513	LOCK SPRING	1
358	UA3814	SCREW-10-32 X 7/8 SH	1
359	HN1032	NUT-10-32 STD HEX ZI	1
361	000000-00	No Longer Available	1
363	FC9691W	COIL HOLDER COMPLETE	1
365	000000-00	No Longer Available	1
366	SW10E.2	WASHER-#10 EXT/INT T	1
367	FC9541	STAPLE GUIDE BAR	1
369	HN1032	NUT-10-32 STD HEX ZI	1
370	FC9558	OILER FELT	1
371	FC9692	MAGAZINE STUD - 5M	1
372	HN1420.13	NUT-1/4-20 LOCK NYLO	1
373	FC9538	SIDE PLATE L.H.	1
374	FC9539	SIDE PLATE R.H.	1
375	85243	OILER CUP	1
376	FC9618A	PIVOT BLOCK COMPLETE	1
377	UA3808.11	SCREW-10-32X1/2 SBHC	1
378	SW10E.2	WASHER-#10 EXT/INT T	1
500	000000-00	No Longer Available	2

Parts List for FC95ECARM Type 0

Item Number	Part Number	Description	Qty Required
500	000000-00	No Longer Available	2
500	FC95K1	GUARD KIT FC95-SAFET	1