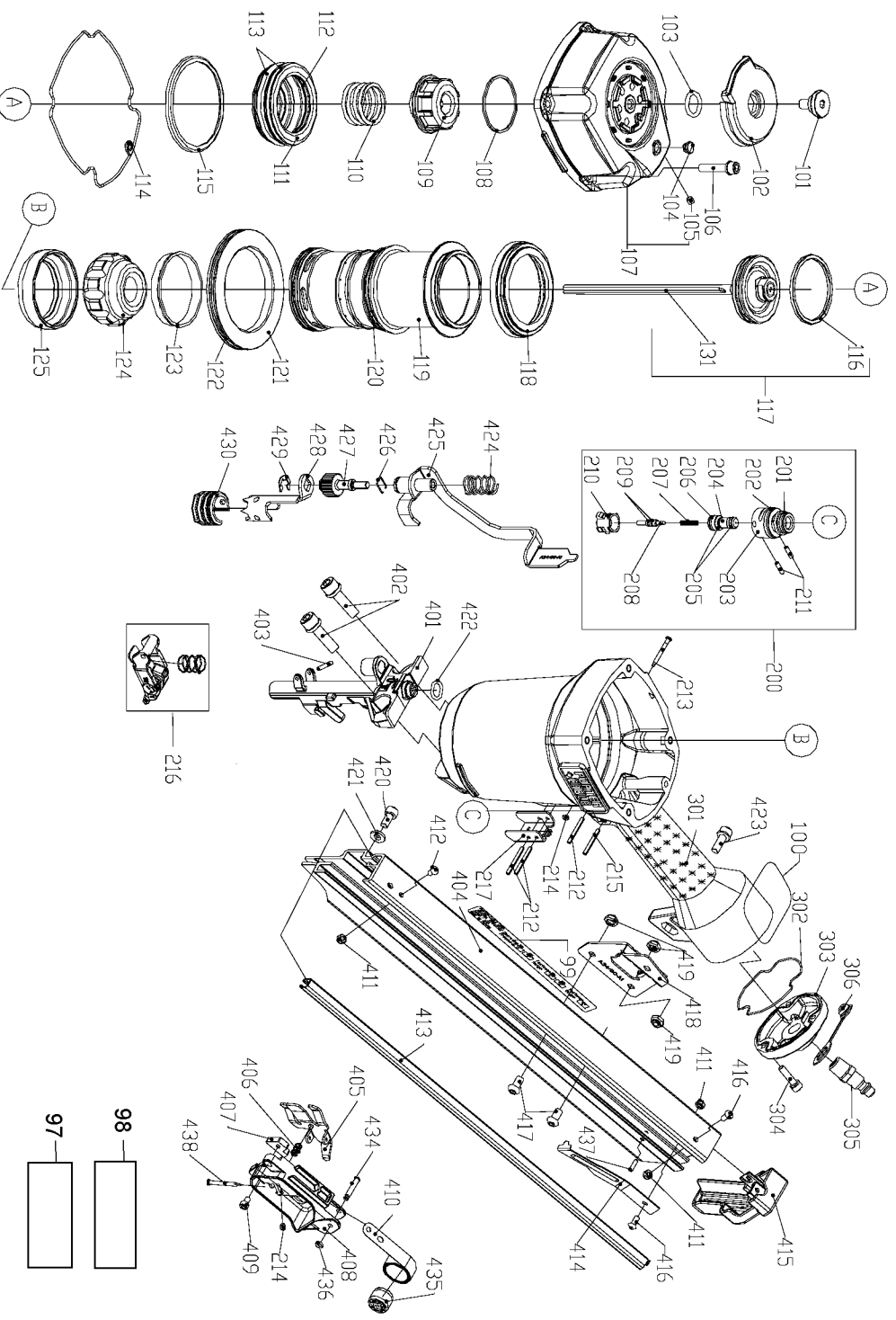


PORTER-CABLE CLIPPED HEAD FRAMING NAILER

WARNING: Repairs should only be attempted by trained repairmen. Contact the nearest Porter-Cable Service Center or other competent repair center.

FC350A



98 —

97 —

Parts List for FC350A Type 2

| Item Number | Part Number | Description | Qty Required |
|-------------|-------------|----------------------|--------------|
| 99 | 903331 | INFORMATION PLATE | 1 |
| 100 | 904673 | WARNING LABEL | 1 |
| 101 | 910757 | BUSHING-EXHAUST DEFL | 1 |
| 102 | 897316 | DEFLECTOR | 1 |
| 103 | 904269 | O-RING (16 X 3)(3016 | 1 |
| 104 | 886148 | GROMMET | 1 |
| 105 | 883912 | SET SCREW | 10 |
| 106 | 897318 | BOLT | 10 |
| 107 | A08651 | CAP | 1 |
| 108 | 910759 | WASHER- BEARING (STE | 1 |
| 109 | A03849 | PISTON STOP | 1 |
| 110 | 910761 | SPRING | 1 |
| 111 | A08650 | HEAD VALVE PISTON | 1 |
| 112 | 910763 | QUAD RING (47.04 X3. | 1 |
| 113 | 910764 | O-RING (61.5 X 3.1) | 2 |
| 114 | 910765 | GASKET-HOUSING CAP | 1 |
| 115 | 897338 | SEAT-PRESS RING | 1 |
| 116 | 908928 | PISTON RING | 1 |
| 117 | 60094 | DRIVER KIT | 1 |
| 117 | 910488 | AS/A DRIVER MAINT KI | 1 |
| 117 | 910766 | DRIVER W/ PISTO | 1 |
| 118 | 910767 | COLLAR - PU | 1 |
| 119 | 910768 | CYLINDER | 1 |
| 120 | 910769 | O-RING (62 X 3.0) | 1 |
| 121 | 910770 | CYLINDER SPACER | 1 |
| 122 | 897389 | O-RING | 1 |
| 123 | 897387 | RING | 1 |

Parts List for FC350A Type 2

| Item Number | Part Number | Description | Qty Required |
|-------------|-------------|----------------------|--------------|
| 124 | 897337 | BUMPER | 1 |
| 125 | 910771 | BUMPER SEAT (NYLON) | 1 |
| 131 | 910417 | DRIVER BLADE | 1 |
| 200 | A08368 | SS/A TRIGGER VALVE K | 1 |
| 201 | 897340 | O-RING | 1 |
| 202 | 897341 | O-RING | 1 |
| 203 | 897342 | CAP | 1 |
| 204 | A08369 | VALVE PLUNGER | 1 |
| 205 | 883936 | O-RING | 1 |
| 206 | 883938 | O-RING | 1 |
| 207 | 883939 | PLUNGER SPRING | 1 |
| 208 | 897346 | PLUNGER | 1 |
| 209 | 883848 | O-RING | 1 |
| 210 | 897347 | VALVE | 1 |
| 211 | 897374 | PIN (3X12) | 2 |
| 212 | 897349 | PIN-SPRING | 3 |
| 213 | 897351 | PIN | 1 |
| 214 | 890725 | URETHANE RETAINER | 2 |
| 215 | 883884 | ROLLED PIN | 1 |
| 216 | 908019 | SINGLE SEQUENTIAL TR | 1 |
| 216 | 906400 | SELECTABLE TRIGGER | 1 |
| 217 | 910772 | SAFETY GUIDE | 1 |
| 301 | 910774 | HOUSING | 1 |
| 302 | 910775 | GASKET (END CAP) | 1 |
| 303 | 910776 | END CAP (NPT3/8-1 | 1 |
| 304 | 894752 | BOLT | 1 |
| 305 | 887077 | 1/4 MALE QUICK CP | 1 |

Parts List for FC350A Type 2

| Item Number | Part Number | Description | Qty Required |
|-------------|-------------|----------------------|--------------|
| 306 | 887078 | 1/4 PROT CVR(AIR | 1 |
| 401 | 910777 | NOSE PIECE | 1 |
| 402 | 894800 | BOLT | 2 |
| 403 | 886070 | ROLLED PIN | 1 |
| 404 | A04696 | MAGAZINE | 1 |
| 405 | 907892 | PUSHER | 1 |
| 406 | 897431 | SPRING | 1 |
| 407 | 907893 | NUT | 10 |
| 408 | 907894 | COVER | 1 |
| 409 | 883866 | BOLT | 1 |
| 410 | 907895 | SPRING | 1 |
| 411 | 883882 | LOCK NUT | 10 |
| 412 | 883999 | BOLT | 1 |
| 413 | A03616 | CHANNEL | 1 |
| 414 | 910779 | NAIL STOP | 1 |
| 415 | 910780 | COVER- PROTECTIVE MA | 1 |
| 416 | 884001 | BOLT | 1 |
| 417 | 886260 | BOLT | 1 |
| 418 | 910781 | BRACKET | 1 |
| 419 | 886105 | LOCKNUT | 1 |
| 420 | 886257 | BOLT | 1 |
| 421 | 910782 | FLAT WASHER (D13 X D | 1 |
| 422 | A09211 | O-RING (11.58X2.13) | 1 |
| 423 | 910784 | SCREW ASSY -HEX SKT | 10 |
| 424 | 910785 | SPRING-SAFETY | 1 |
| 425 | 910786 | SAFETY B ASSY | 1 |
| 426 | 907907 | RING | 1 |

Parts List for FC350A Type 2

| Item Number | Part Number | Description | Qty Required |
|-------------|-------------|---------------------|--------------|
| 427 | 910787 | THUMB WHEEL | 1 |
| 428 | 910788 | SAFETY A | 1 |
| 429 | 907905 | E-RING | 1 |
| 430 | 897384 | NOSE CUSHION | 1 |
| 434 | 907906 | PIN | 1 |
| 435 | 886440 | ROLLING ELEMENT | 1 |
| 436 | 897359 | RETAINING RING | 1 |
| 437 | 909202 | PIN | 1 |
| 438 | 890724 | PIN | 1 |
| 800 | 884293 | AIR TOOL OIL (18CC) | 1 |
| 856 | 910450 | AS/A OVERHAUL KIT | 1 |
| 856 | 60093 | OVERHAUL KIT | 1 |
| 856 | 884299 | HEX WRENCH (5MM) | 1 |
| 856 | 893579 | SAFETY GLASSES | 1 |
| 861 | A04694 | CARRYING CASE | 1 |