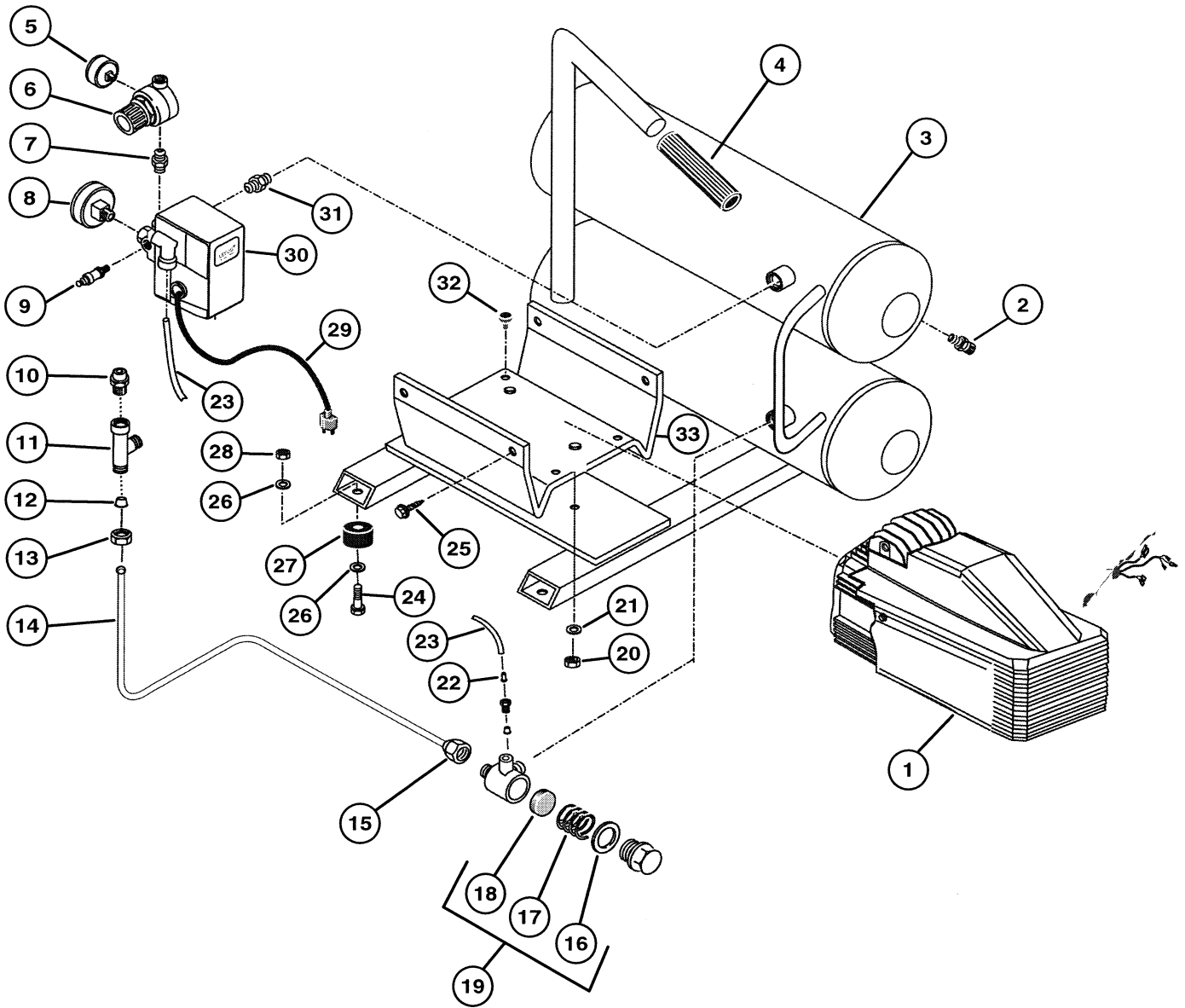
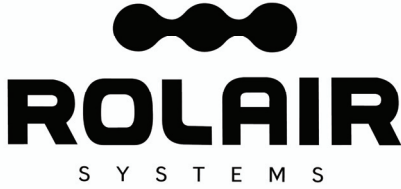




# ROLAIR

SCHEMATIC FOR MODEL  
FC2002





**PARTS LIST FOR FC2002**

Schematic #	Description	Part #	Qty.
1	2 HP Pump/Motor	PMP11MK246FC	1
2	Drain Valve	FC022029000	2
3	Tank Assembly	FC162QC0010	1
4	Handle Grip	FC127GH0012	1
5	Gauge – Line	FC330006001	1
6	Regulator	FC319205000	1
7	Nipple	FC011017000	1
8	Gauge – Tank	FC330052000	1
9	Safety Relief Valve	FC047027000	1
10	Bleeder Valve	FC011158000	1
11	Discharge Tee	FC199617000	1
12	Ring	FC011117000	1
13	Lock Nut	FC011117002	1
14	Discharge Tube (includes FC011117000 & FC011117002)	FC2002-DISCH TB	1
15	Lock Nut	FC199437000	1
16	O-Ring	FC010024000	1
17	Spring	047113002F	1
18	Disc	047113001F	1
19	Check Valve	FC347043000	1
20	Nut	FC014003002	3
21	Washer	FC014008008	3
22	Brass Sleeve	FC011304000	1
23	Nylon Tubing – 9”	FC046001000	.75
	Ring	011077000F	1
24	Bolt	FC014001041	4
25	Screw	FC014013042	4
26	Washer	FC014005002	8
27	Rubber Foot	FC020004001	4
28	Nut	FC014003001	4
29	Cord w/Plug	FC164A08300	1
30	Pressure Switch	FC321054000	1
31	Nipple	FC011017001	1
32	Vibration Dampener	FC199575000	4
33	Mounting Plate	FC127GH0010V75	1

