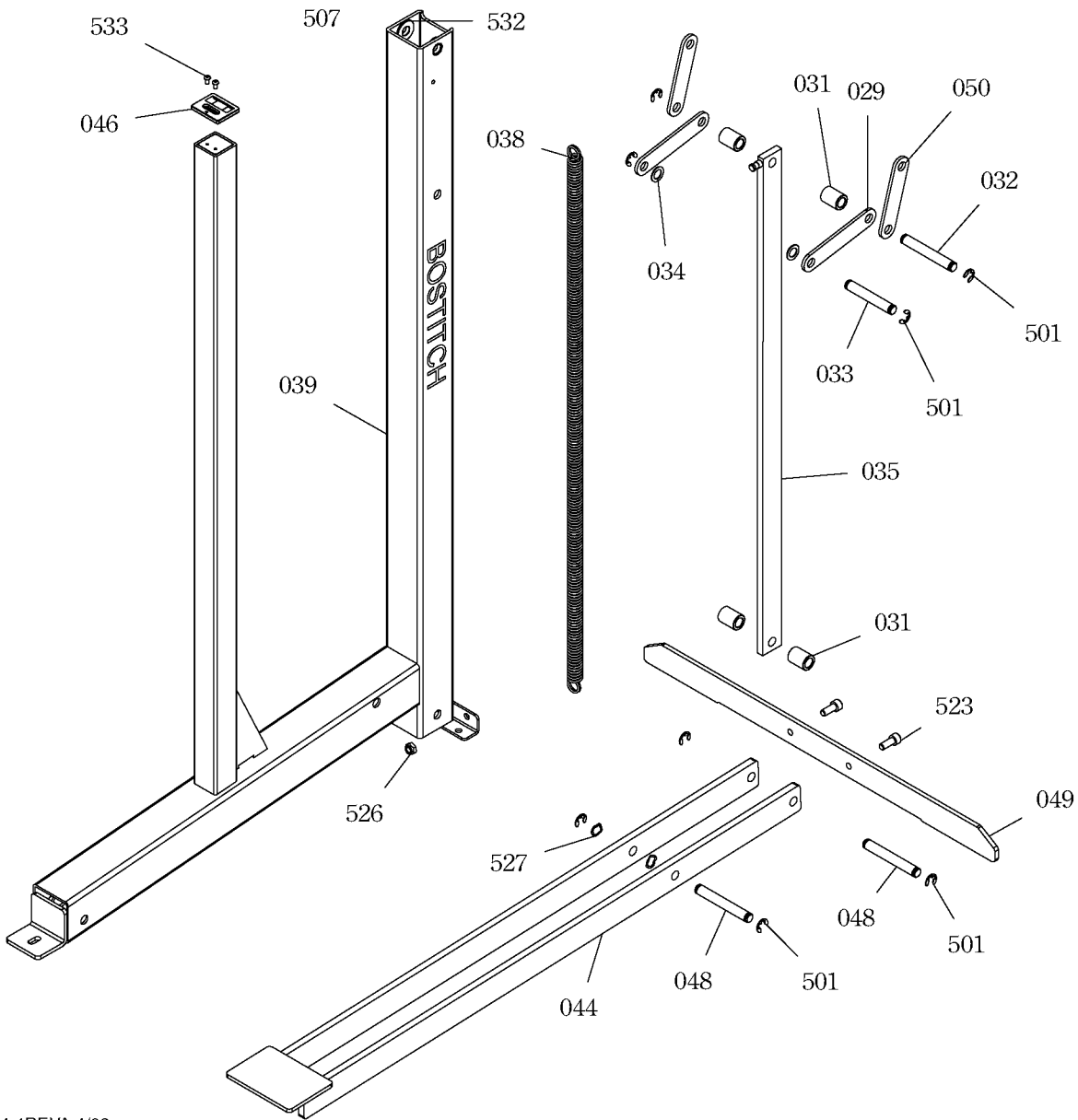


F84-114 & F84-138
CARTON BOTTOM STAPLER
ENGRAPADORA DE FONDOS DE CAJAS
AGRAFEUSE DE FOND DE BOÎTE



IP1284-TREVA 4/08
 TO BE USED WITH PARTS LIST IP1284-2 (F84-114) or IP1285-2 (F84-138) AND OPERATION AND MAINTENANCE MANUAL 182223.

Parts List for F84-138 Type 0

Item Number	Part Number	Description	Qty Required
1	A00600102	LINK 1	2
2	A00603401	TUBE	2
3	A00603201	SHAFT E	2
4	A00600401	LINK 2	1
7	A00600703	DRIVER SEAT	1
8	A00600801	SHAFT C	2
9	A00600907	DRIVER	1
10	A00601002	SPRING	2
11	A00601103	SPRING SHAFT	2
12	A00601203	MAGAZINE SEAT	1
14	A00601406	COVER B	1
15	A00601502	SHAFT D	1
16	A00601606	COVER A	1
17	A00607501	BRACKET	1
21	CMB-P12	BRACKET SET	1
22	A00607101	NUT	2
23	A00103903	RIGHT PUSHER GUIDE	1
24	A00103203	ROD	2
25	A00103904	LEFT PUSHER GUIDE	1
26	A00103715	PUSHER SET	1
27	A00103501	ROLLER	1
28	A00602801	SPRING	1
29	A00602901	LINK 3-A	2
30	A00603002	TUBE	1
31	A00603701	TUBE	3
32	A00603202	SHAFT E	1
33	A00603302	SHAFT F	1

Parts List for F84-138 Type 0

Item Number	Part Number	Description	Qty Required
34	A00603402	WASHER	1
35	A00603503	LINK 4 SET	1
38	A00603801	SPRING	1
39	A00603904	BODY SET	1
44	A00604402	STEP BOARD SET	1
46	A00604606	MOLD	1
48	A00604801	SHAFT G	1
49	A00604901	BALANCER	1
50	A00602902	LINK 3-B	2
501	BAF11002	E-RING	10
502	BAF10502	E-RING	2
504	BAC0604102	HEX.SOC.HD.BOLT	2
506	BAA060016	SPRING PIN	2
507	BAF10602	E-RING	1
508	BAC0605102	HEX.SOC.HD.BOLT	6
511	BAC0605082	HEX.SOC.HD.BOLT	6
512	BAD01041	LOCK NUT	1
513	BAC0204202	HEX.SOC.FLAT COUNTER	1
515	BAE03051	WASHER	1
516	BAC0205202	HEX.SOC.FLAT COUNTER	2
517	BAD02051	LOCK NUT	1
518	BAA040016	SPRING PIN	1
523	BAC0408202	HEX.SOC.HD.BOLT	2
526	BAD01081	LOCK NUT	1
527	BAE03122	WAVE WASHER	1
530	BAA040012	SPRING PIN	4
532	BAE03162	WAVE WASHER	1

Parts List for F84-138 Type 0

Item Number	Part Number	Description	Qty Required
533	BAC0904082	HEX.SOC.ROUND HD.SCR	2