



BOSCH

Pn-Accu-Screwdriver

Exact ION 8-1100WK | 3 602 D94 417

Table of Content

Spare parts list.....	2
Illustration - Type.....	4

Pn-Accu-Screwdriver | Exact ION 8-1100WK | 3 602 D94 417

Spare parts list

Item	Part Number	Description	Illustration
10	3 601 099 004	Switch Slide	1
11	3 609 202 B07	Angle Flange	1
30	3 607 030 469	Planetary Gear Train	1
40	3 607 031 567	Assembly kit	1
50	1 607 233 5JF	Electronic Module	1
52	1 607 233 516	Indicator Plate	1
53	1 607 502 627	Microswitch	1
54	1 607 502 626	Light-Emitting-Diode	1
55	1 609 280 477	Compression Spring	1
62	3 601 923 030	Pusher	1
80	2 603 490 018	Torx Oval-Head Screw 3x18	1
91	1 607 A35 0M0	Battery Pack GBA 18V 4.0Ah	1
91	1 607 A35 0MA	Battery Pack GBA 18V 2.0Ah	1
653	2 607 225 321	Charger EU 230/14,4-18V, 30 40 S	1
653	2 607 225 923	Charger GB 230/10,8-18V, 30 42 S	1
657	3 607 950 027	Screwdriver	1
658	3 601 376 007	Single-Head Eng. Wrench	1
659	3 601 923 024	Suspension Loop	1
801	3 607 031 811	Housing Assembly	1
802	3 607 031 790	Motor assembly	1
803	3 607 031 758	Sleeve assembly	1
804	3 607 031 759	Led-Holder	1
805	3 607 031 900	Electronics Module	1
806	3 607 031 901	drive electronics	1
807	3 607 031 762	Switching Element	1
808	3 607 031 884	Switch	1
810	3 607 031 843	Set Of Plates	1
811	1 600 A00 7U6	Setting Ring	1
820	3 607 031 931	usb stick	1
890	3 600 106 027	Parts Set 5 PCE., BLACK	1
890	3 600 106 028	Parts Set 5 PCE., RED	1
890	3 600 106 029	Parts Set 5 PCE., LIGHT BLUE	1
890	3 600 106 030	Parts Set 5 PCE., LIGHT GREEN	1
890	3 600 106 031	Parts Set 5 PCE., ORANGE	1
890	3 600 106 032	Parts Set 5 PCE., GREY	1

Spare parts list

Item	Part Number	Description		Illustration
890	3 600 106 033	Parts Set	5 PCE, . WHITE	1
881	1 607 000 CM1	Adapter Line		2
882	1 607 000 CM0	Adapter Line		2

Illustration - Type - E

3 602 D94 406; 407; 408; 409
 Issue | 22-06-28
 Stand | **Fig./Abb. 1**

▲ **Attention: Repair only at ESD safe working area!**
 ● **Beachten: Arbeiten nur an ESD-geschütztem Arbeitsplatz durchführen!**

● **Important! See Illustration 2**
 ● **Wichtig! Bild 2. anschauen**

Anzugsmomente
 Torque values
 Couple de serrage
 Pares de apriete
 Pos. 80 = 0,8 - 1,1 Nm
 82 = 0,5 - 0,7 Nm

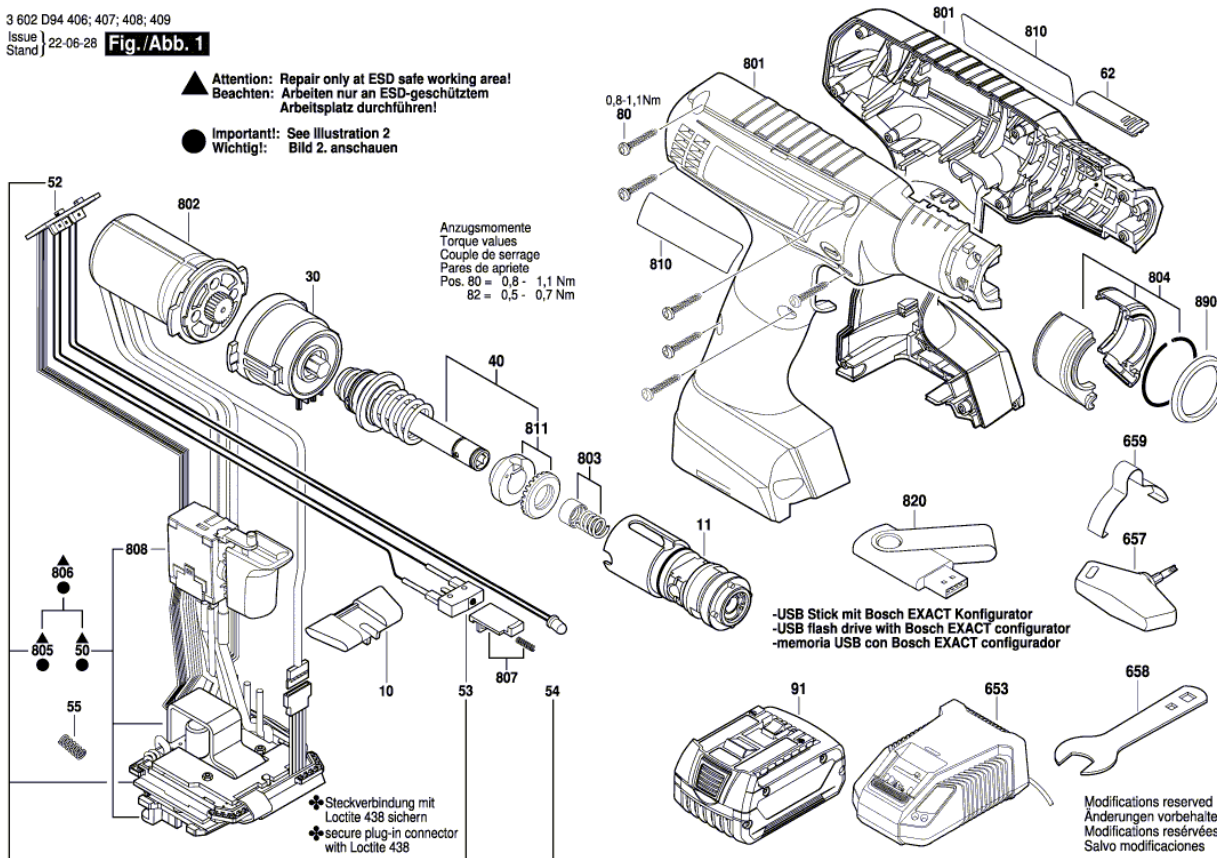


Illustration - Type - E

3 602 D94 406
Issue |
Stand |

04-04-18 **Fig./Abb. 2**

