



BOSCH

Pn-Accu-Screwdriver

Exact ION 8-1100 | 3 602 D94 413

Table of Content

Spare parts list.....	2
Illustration - Type.....	3

Pn-Accu-Screwdriver | Exact ION 8-1100 | 3 602 D94 413

Spare parts list

Item	Part Number	Description	Illustration
10	3 601 099 004	Switch Slide	1
30	3 607 030 469	Planetary Gear Train	1
40	3 607 031 535	Assembly kit	1
50	1 607 233 5JF	Electronic Module	1
52	1 607 233 516	Indicator Plate	1
53	1 607 502 627	Microswitch	1
54	1 607 502 832	Light-Emitting-Diode	1
55	1 609 280 477	Compression Spring	1
62	3 601 923 030	Pusher	1
80	2 603 490 018	Torx Oval-Head Screw 3x18	1
91	1 607 A35 0BM	Battery Pack BAT612 18V 2.0Ah Li SCM	1
91	2 607 336 819	Battery Pack USA BAT620 18V 4,0Ah	1
653	2 607 226 287	Charger US GAL 18V-20 120V / 2A	1
657	3 607 950 027	Screwdriver	1
659	3 601 923 024	Suspension Loop	1
801	3 607 031 774	Housing Assembly	1
802	3 607 031 790	Motor assembly	1
805	3 607 031 892	Electronics Module	1
806	3 607 031 893	drive electronics	1
807	3 607 031 762	Switching Element	1
808	3 607 031 884	Switch	1
810	3 607 031 839	Set Of Plates	1
811	1 600 A00 7U6	Setting Ring	1
812	1 600 A00 7U7	Plain bearing	1
813	1 600 A00 7U5	Quick-Change Collet Chuck	1
820	3 607 031 931	usb stick	1
890	3 600 106 010	Parts Set 5 PCE., BLACK	1
890	3 600 106 011	Parts Set 5 PCE., RED	1
890	3 600 106 012	Parts Set 5 PCE., LIGHT BLUE	1
890	3 600 106 013	Parts Set 5 PCE., LIGHT GREEN	1
890	3 600 106 014	Parts Set 5 PCE., ORANGE	1
890	3 600 106 015	Parts Set 5 PIECE	1
899	1 610 101 621	Shim 0,1 MM THICK	1
881	1 607 000 CM1	Adapter Line	2
882	1 607 000 CM0	Adapter Line	2

Illustration - Type - E

3 602 D94 400; 401; 402; 403 404; 405
 Issue | 22-06-28 **Fig./Abb. 1**
 Stand |

▲ Attention: Repair only at ESD safe working area!
 Beachten: Arbeiten nur an ESD-geschütztem
 Arbeitsplatz durchführen!

● Important! See Illustration 2
 Wichtig! Bild 2 anschauen

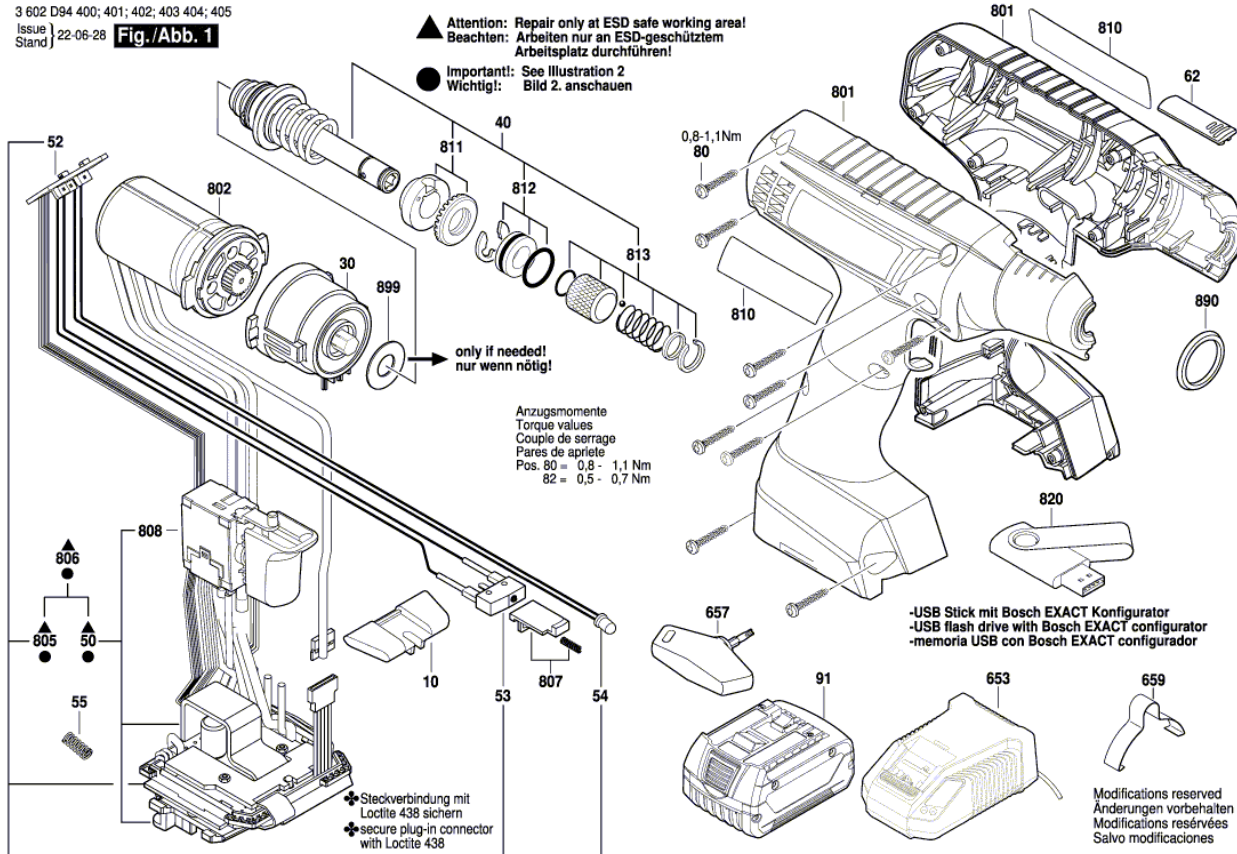


Illustration - Type - E

3 602 D94 400
Issue | 03-04-18
Stand |

Fig./Abb. 2

