



BOSCH

Pn-Accu-Screwdriver

Exact ION 2-700 | 3 602 D94 410

Table of Content

| | |
|--------------------------|---|
| Spare parts list..... | 2 |
| Illustration - Type..... | 3 |

Spare parts list

| Item | Part Number | Description | Illustration |
|-------------|--------------------|--------------------------------------|---------------------|
| 10 | 3 601 099 004 | Switch Slide | 1 |
| 30 | 3 607 030 488 | Planetary Gear Train | 1 |
| 40 | 3 607 031 546 | Assembly kit | 1 |
| 50 | 1 607 233 5JF | Electronic Module | 1 |
| 52 | 1 607 233 516 | Indicator Plate | 1 |
| 53 | 1 607 502 627 | Microswitch | 1 |
| 54 | 1 607 502 832 | Light-Emitting-Diode | 1 |
| 55 | 1 609 280 477 | Compression Spring | 1 |
| 62 | 3 601 923 030 | Pusher | 1 |
| 80 | 2 603 490 018 | Torx Oval-Head Screw 3x18 | 1 |
| 91 | 1 607 A35 0BM | Battery Pack BAT612 18V 2.0Ah Li SCM | 1 |
| 91 | 2 607 336 819 | Battery Pack USA BAT620 18V 4,0Ah | 1 |
| 653 | 2 607 226 287 | Charger US GAL 18V-20 120V / 2A | 1 |
| 657 | 3 607 950 027 | Screwdriver | 1 |
| 659 | 3 601 923 024 | Suspension Loop | 1 |
| 801 | 3 607 031 774 | Housing Assembly | 1 |
| 802 | 3 607 031 862 | Motor assembly | 1 |
| 805 | 3 607 031 886 | Electronics Module | 1 |
| 806 | 3 607 031 887 | drive electronics | 1 |
| 807 | 3 607 031 762 | Switching Element | 1 |
| 808 | 3 607 031 884 | Switch | 1 |
| 810 | 3 607 031 836 | Set Of Plates | 1 |
| 811 | 1 600 A00 7U6 | Setting Ring | 1 |
| 812 | 1 600 A00 7U7 | Plain bearing | 1 |
| 813 | 1 600 A00 7U5 | Quick-Change Collet Chuck | 1 |
| 820 | 3 607 031 931 | usb stick | 1 |
| 890 | 3 600 106 010 | Parts Set 5 PCE., BLACK | 1 |
| 890 | 3 600 106 011 | Parts Set 5 PCE., RED | 1 |
| 890 | 3 600 106 012 | Parts Set 5 PCE., LIGHT BLUE | 1 |
| 890 | 3 600 106 013 | Parts Set 5 PCE., LIGHT GREEN | 1 |
| 890 | 3 600 106 014 | Parts Set 5 PCE., ORANGE | 1 |
| 890 | 3 600 106 015 | Parts Set 5 PIECE | 1 |
| 899 | 1 610 101 621 | Shim 0,1 MM THICK | 1 |
| 881 | 1 607 000 CM1 | Adapter Line | 2 |
| 882 | 1 607 000 CM0 | Adapter Line | 2 |

Illustration - Type - E

3 602 D94 400; 401; 402; 403 404; 405
 Issue | 22-06-28 **Fig./Abb. 1**
 Stand

▲ Attention: Repair only at ESD safe working area!
 Beachten: Arbeiten nur an ESD-geschütztem Arbeitsplatz durchführen!

● Important!: See Illustration 2
 Wichtig!: Bild 2. anschauen

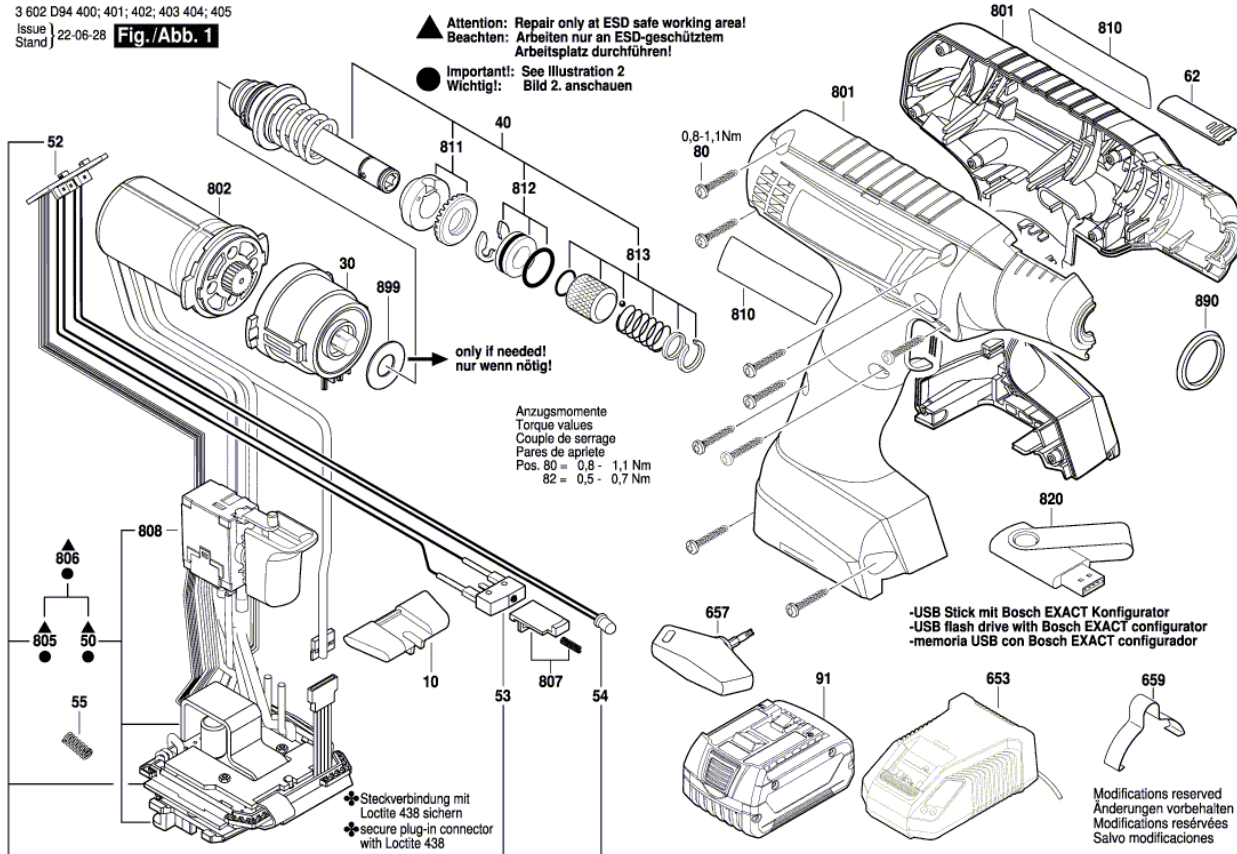


Illustration - Type - E

3 602 D94 400
Issue |
Stand |

03-04-18 **Fig./Abb. 2**

