



BOSCH

Cordless Drill Driver

EasyDrill 1200 | 3 603 JD3 080

Table of Content

Spare parts list.....	2
Illustration - Type.....	3

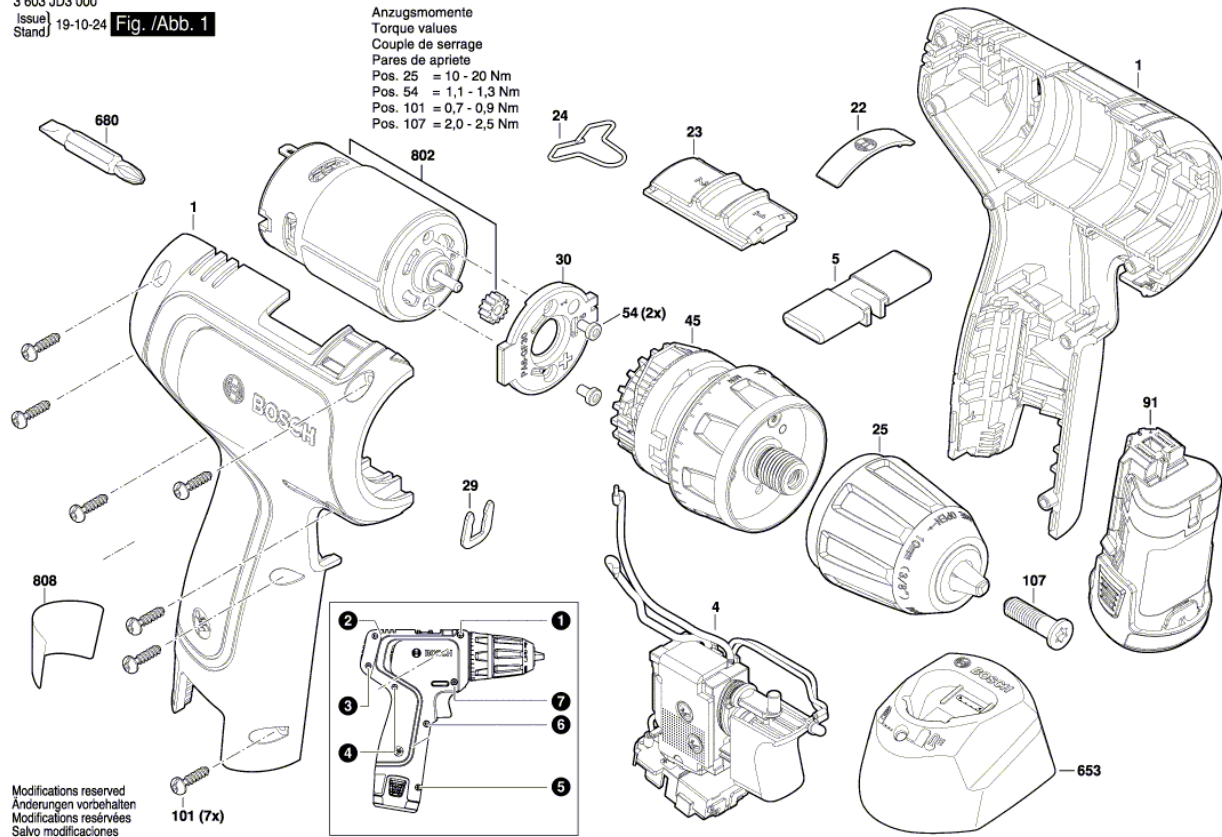
Spare parts list

Item	Part Number	Description
1	1 605 806 5XW	Housing
4	2 607 202 517	Switch assembly
5	1 600 A01 YS0	Change-Over Switch
22	1 600 A01 AS2	Symbol plate
23	1 600 A01 RJ6	Switch Slide
24	2 609 004 496	Spring
25	1 600 A01 03S	Keyless Chuck
29	2 609 110 838	Clip
30	1 600 A01 RP5	Flange
45	1 600 A01 RR7	Planetary Gear Train
54	2 603 414 048	Torx SH cap screw M3x5-8.8-Z
91	1 607 A35 07N	Battery Pack PBA 12V, 2,0Ah O-A
101	2 609 110 538	Screw
107	2 603 421 229	Countersunk-Head Screw M6x23 LEFTHAND THREADS
653	1 600 A00 HR0	Fast Charger CN GAL 1230 CV 220/12 V
680	2 609 160 063	Screwdriver Bit
802	1 607 022 68M	DC motor DC motor
808	1 601 11A 7E4	Nameplate

Illustration - Type - E

3 603 JD3 000
Issue | 19-10-24 Fig./Abb. 1
Stand |

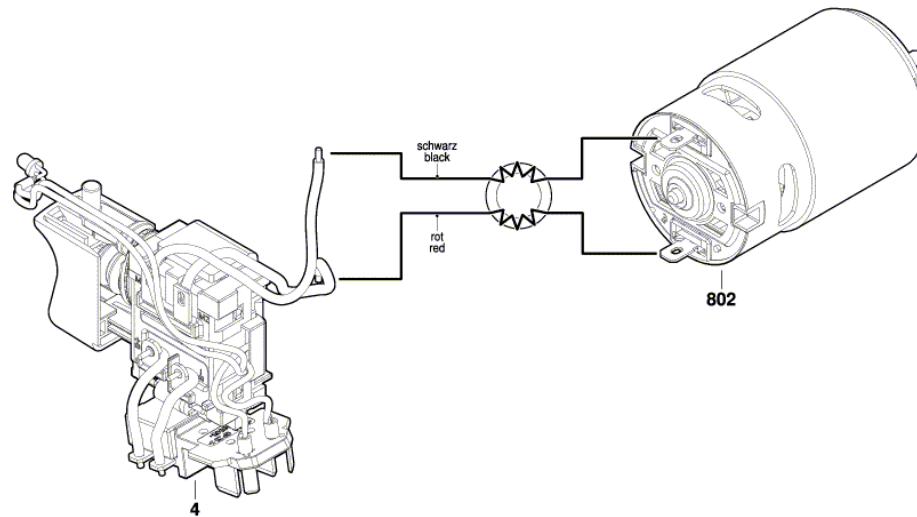
Anzugsmomente
Torque values
Couple de serrage
Pares de apriete
Pos. 25 = 10 - 20 Nm
Pos. 54 = 1,1 - 1,3 Nm
Pos. 101 = 0,7 - 0,9 Nm
Pos. 107 = 2,0 - 2,5 Nm



Modifications reserved
Änderungen vorbehalten
Modifications réservées
Salvo modificaciones

Illustration - Type - E

3 603 JD3 000
Issue |
Stand | 19-10-26 Fig./Abb. 2



Modifications reserved
Änderungen vorbehalten
Modifications réservées
Sinvo modificaciones