



BOSCH

High Pressure Cleaner

EasyAquatak 100 | 3 600 HA7 E82

Table of Content

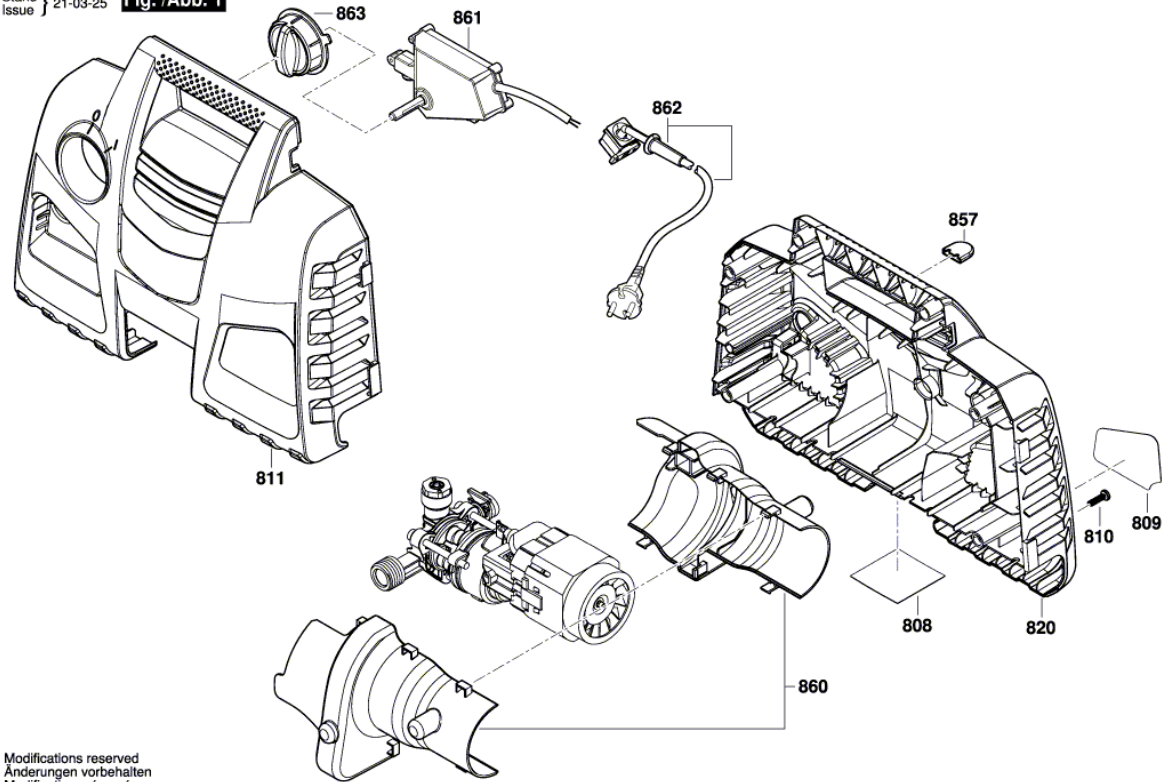
Spare parts list.....	2
Illustration - Type.....	3

Spare parts list

Item	Part Number	Description
808	F 016 F05 783	Nameplate
809	F 016 F05 125	Warning Label
810	F 016 F04 810	Torx SH cap screw
811	F 016 F05 126	front cover
820	F 016 F05 127	Cover
857	F 016 F04 681	Clip
860	F 016 F05 774	Motor cover
861	F 016 F05 779	Switch Box
862	F 016 F05 791	Power supply cord
863	F 016 F04 805	Switch Actuator
801	F 016 F05 748	Motor
843	F 016 F05 402	O-Ring
850	F 016 F05 776	O-Ring
851	F 016 F05 769	Pump head
852	F 016 F05 770	Piston Guide
853	F 016 F05 771	Pump unit
854	F 016 F05 772	Thrust Bearing
856	F 016 F05 773	Non-Return Valve
888	F 016 F05 661	Water filter
870	F 016 F04 458	Seal Kit 2 x (5.3 x 1.6), 2 x (8x2), 2 x (7.x1.6)
871	F 016 F05 775	Trigger
872	F 016 F05 135	Lance
874	F 016 F05 406	Wide Angle Nozzle BLACK
879	F 016 F05 036	Bottle 450ml
880	F 016 F05 132	High pressure foam nozzle
881	F 016 F04 795	Retaining clip
882	F 016 F05 136	Water filter
883	F 016 F04 583	High-Pressure Hose 3 m
884	F 016 F05 492	Hose Coupling
887	F 016 F04 796	Trigger

Illustration - Type - E

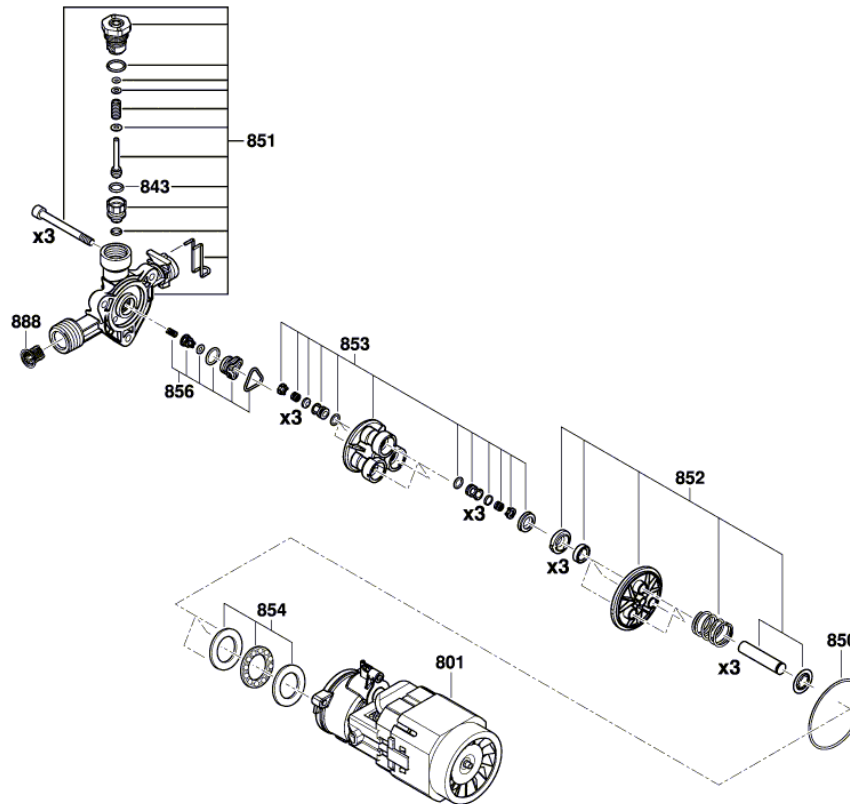
3 600 HA7 EK2
Stand } 21-03-25
Issue } **Fig. /Abb. 1**



Modifications reserved
Änderungen vorbehalten
Modifications réservées
Salvo modificaciones

Illustration - Type - E

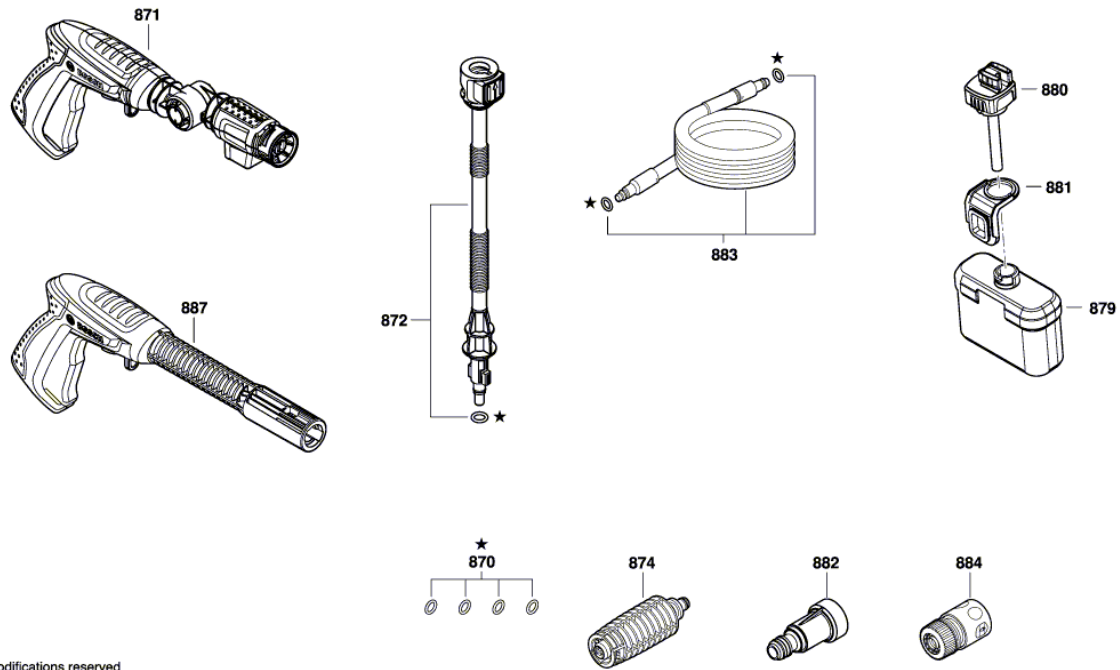
3 600 HA7 EK2
Stand } 21-03-25
Issue } **Fig. /Abb. 2**



Modifications reserved
Änderungen vorbehalten
Modifications réservées
Salvo modificaciones

Illustration - Type - E

3 600 HA7 EK2
Stand } 21-03-25
Issue } **Fig. /Abb. 3**



Modifications reserved
Änderungen vorbehalten
Modifications réservées
Salvo modificaciones