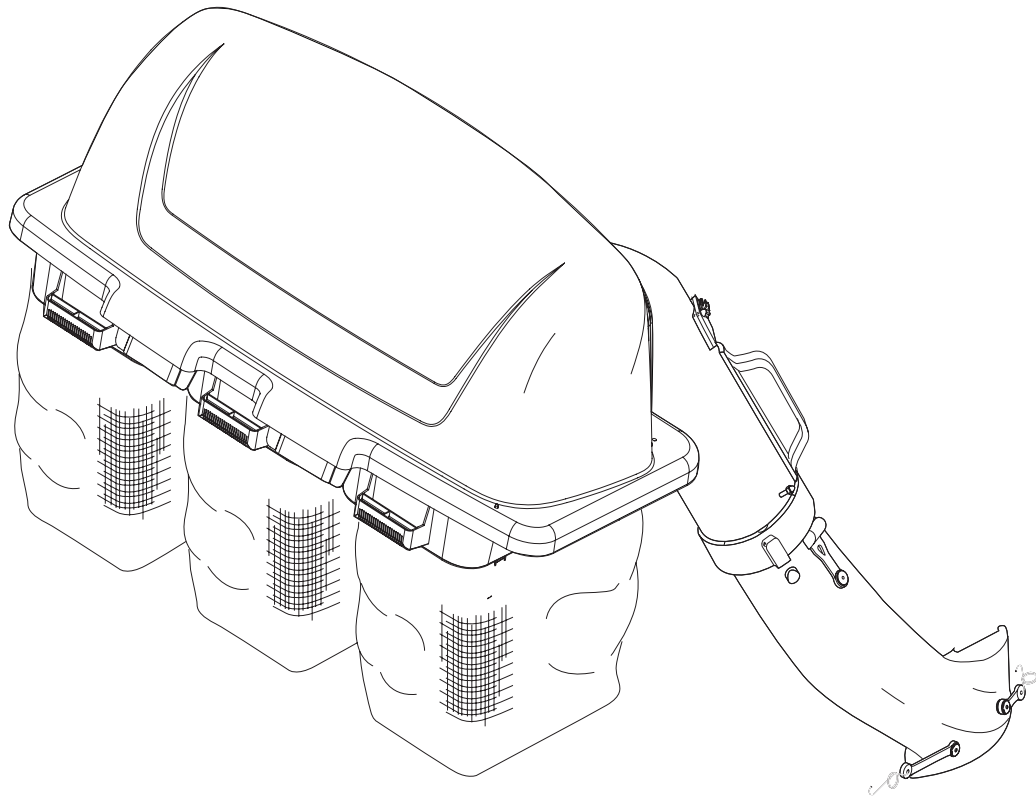


Parts Manual

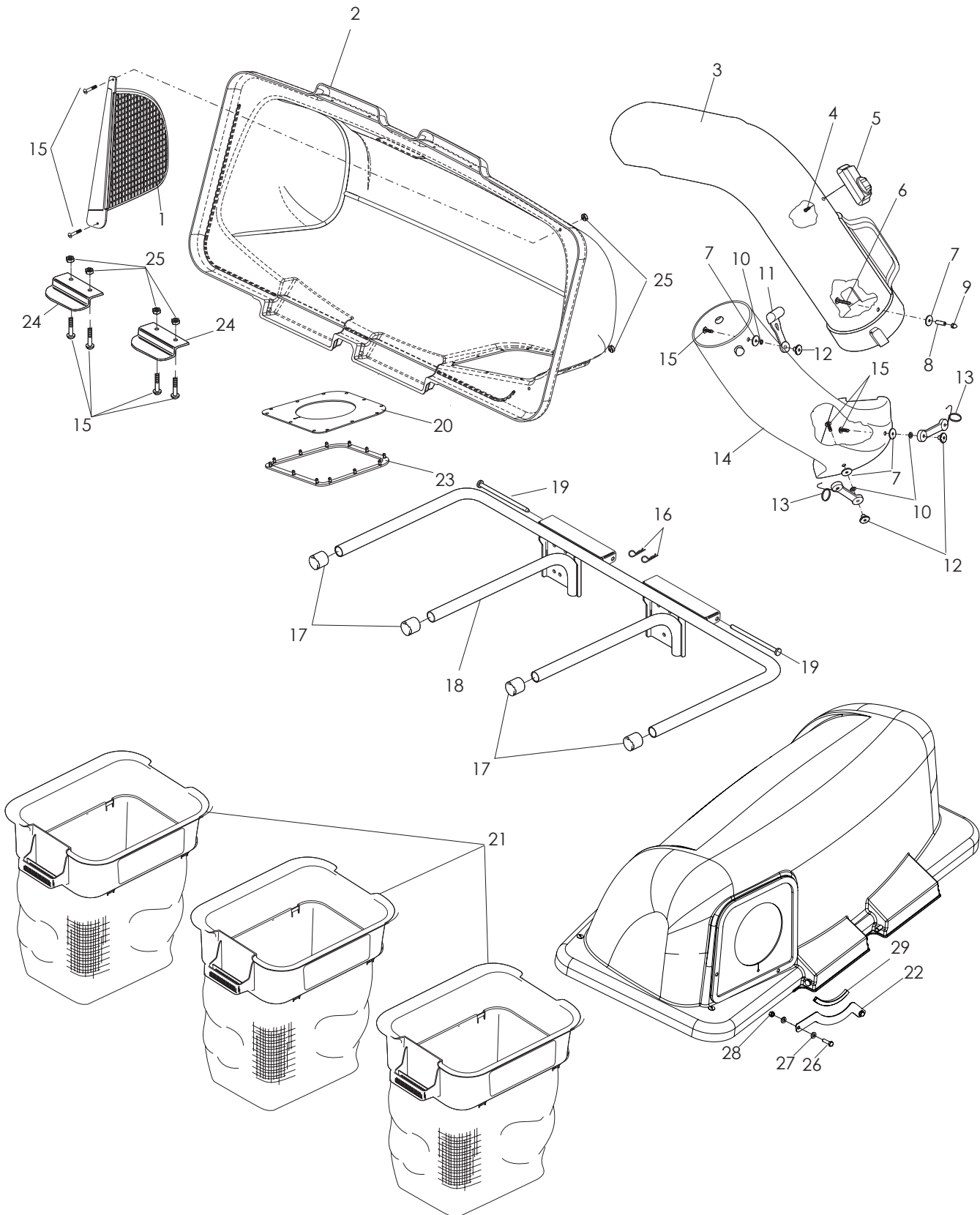


Grass Catcher

46" Stamped Deck / EZ Series

Model 968 999732

PARTS

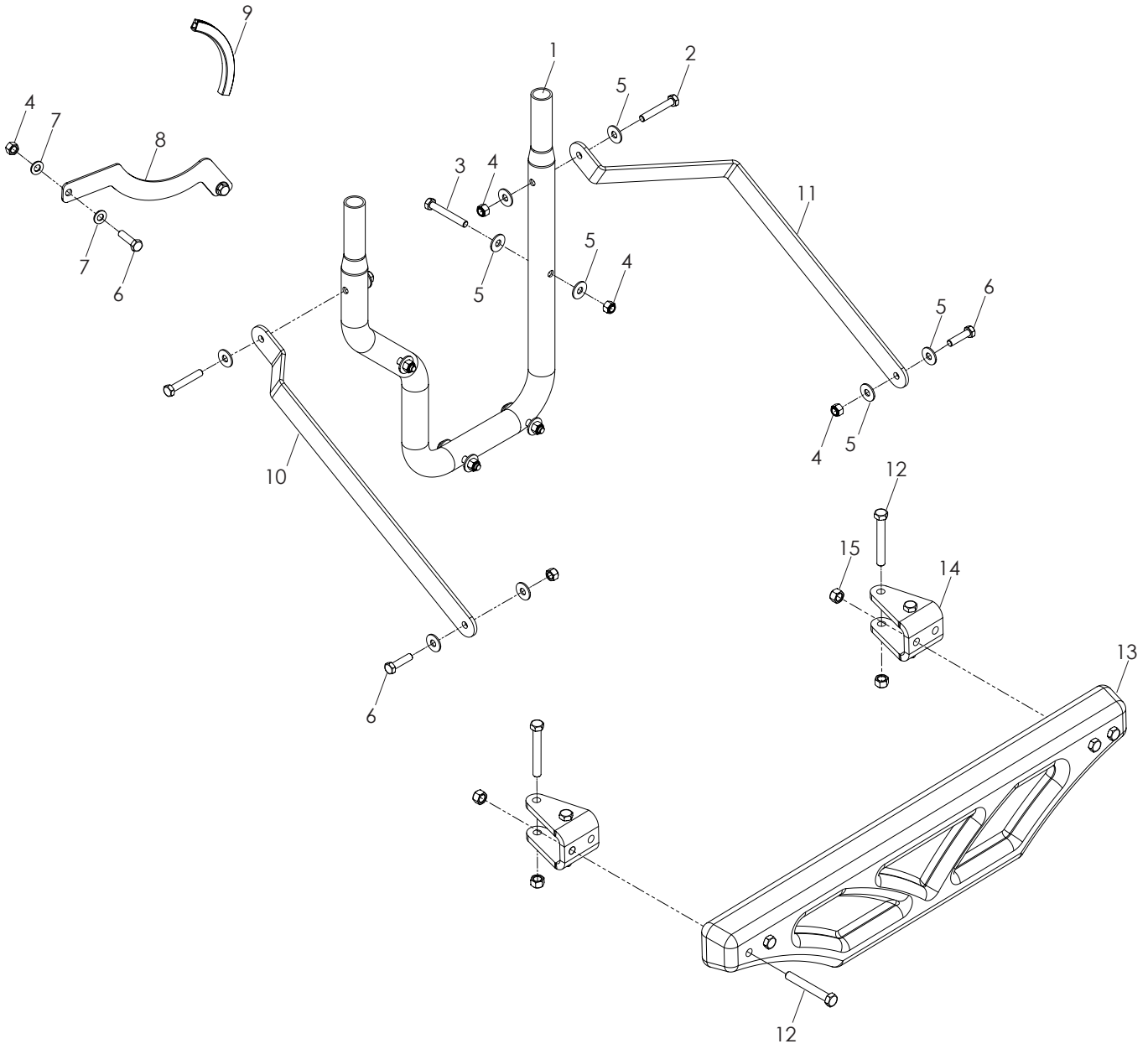


PARTS

ITEM	PART NO.	QTY.	DESCRIPTION	ITEM	PART NO.	QTY.	DESCRIPTION
1..	532 192709....	1	SCREEN, COVER	18..	539 108098....	1	BAGGER, FRAME
2..	532 195373....	1	COVER	19..	532 192786....	2	PIN, HINGE
3..	539 108141....	1	CHUTE, UPPER	20..	532 192550....	1	SEAL, COVER
4..	539 108081....	1	SCREW #10-14 x 1/2 SPEC	21..	532 400226....	3	CONTAINER, SOFT BAG
5..	539 108082....	1	DUMP BAG INDICATOR	22..	539 110234....	1	SUPPORT, CHUTE
6..	539 108083....	1	SCREW #10-24 x 1 1/8	23..	532 192603....	1	GASKET, COVER
7..	539 108084....	4	WASHER 3/16 x 3/4 x 16 GA	24..	532 130895....	2	HANDLE, BAGGER COVER
8..	539 108085....	1	SPACER, SPLIT	25..	539 976977..	14	NUT #10-24 CROWNLOCK
9..	539 108086....	1	NUT #10-24 ACORN	26..	539 990627....	2	HCS 5/16-18 x 1 1/4
10..	539 109552....	3	LOCKWASHER 3/16	27..	539 990188....	4	WASHER 5/16 SAE FLT
11..	539 108088....	2	LATCH, CHUTE	28..	539 990717....	2	NUT 5/16-18 HEX NYLOC
12..	539 108089....	6	NUT, WELD	29..	539 112294....	1	FLEX TRIM
13..	539 108194....	4	LATCH, ASSEMBLY	NOT SHOWN			
14..	539 405455....	1	CHUTE, LOWER 46" DECK	539 108447 ...	1	DECAL, CE	
15..	539 976952....	6	SCREW #10-24 x 5/8	539 108163 ...	1	DECAL, CATCHER	
16..	539 108096....	2	HAIR PIN				
17..	539 108097....	4	PLUG, TUBING END				

NOTE: ALL FASTENERS ARE GRADE 5 UNLESS OTHERWISE SPECIFIED.

PARTS



PARTS

ITEM	PART NO.	QTY.	DESCRIPTION	ITEM	PART NO.	QTY.	DESCRIPTION
1..	539 131091	...1 TUBE, MOUNT	9..	539 112294	...1 FLEX TRIM
2..	539 976937	...2 HCS $\frac{5}{16}$ -18 x 2	10..	539 131089	...1 STRAP, RT
3..	539 976938	...4 HCS $\frac{5}{16}$ -18 x 2 $\frac{1}{4}$	11..	539 131090	...1 STRAP, LT
4..	539 990717	.10 NUT $\frac{5}{16}$ -18 HEX NYLOC	12..	539 102612	...8 HCS $\frac{3}{8}$ -16 x 2 $\frac{3}{4}$
5..	539 990692	.16 WASHER $\frac{5}{16}$ STD FLT	13..	539 1115871 CAST WEIGHT
6..	539 990627	...4 HCS $\frac{5}{16}$ -18 x 1 $\frac{1}{4}$	14..	539 113203	...2 BRACKET, WEIGHT
7..	539 990188	...4 WASHER $\frac{5}{16}$ SAE FLT	15..	539 976979	...8 NUT $\frac{3}{8}$ -16 HEX NYLOC
8..	539 110234	...1 SUPPORT, CHUTE				

NOTE: ALL FASTENERS ARE GRADE 5 UNLESS OTHERWISE SPECIFIED.

TORQUE CHART

TORQUE SPECIFICATIONS HEX HEAD CAP SCREWS

The torque values shown should be used as a general guideline when specific torque values are not given.

U.S. Standard Hardware

Grade	SAE grade 5		SAE grade 8		Flangelock Screw w/ Flangelock Nut		
	ft./lbs	Nm	ft./lbs	Nm	ft./lbs	Nm	
Shank Size (Diameter in inches, fine or coarse thread)	1/4	9	12	13	18		
	5/16	18	24	28	38	24	33
	3/8	31	42	46	62	40	54
	7/16	50	68	75	108		
	1/2	75	102	115	156		
	9/16	110	150	165	224		
	5/8	150	203	225	305		
	3/4	250	339	370	502		
	7/8	378	513	591	801		
	1	583	790	893	1211		
	1 1/8	782	1060	1410	1912		

** Grade 5 - Minimum commercial quality (Lower quality not recommended)

Metric Standard Hardware

Grade	Grade 8.8 8.8		Grade 10.9 10.9		Grade 12.9 12.9		
	ft./lbs	Nm	ft./lbs	Nm	ft./lbs	Nm	
Shank Size (Diameter in millimeters, fine or coarse thread)	M4	1.5	2	2.2	3	2.7	3.6
	M5	3	4	4.5	6	5.2	7
	M6	5.2	7	7.5	10	8.2	11
	M7	8.2	11	12	16	15	20
	M8	13.5	18	18.8	25	21.8	29
	M10	24	32	35.2	47	43.5	58
	M12	43.5	58	62.2	83	75	100
	M14	70.5	94	100	133	119	159
	M16	108	144	147	196	176	235
	M18	142	190	202	269	242	323
	M20	195	260	275	366	330	440
	M22	276	368	390	520	471	628
	M24	353	470	498	664	596	794
	M27	530	707	474	996	904	1205

