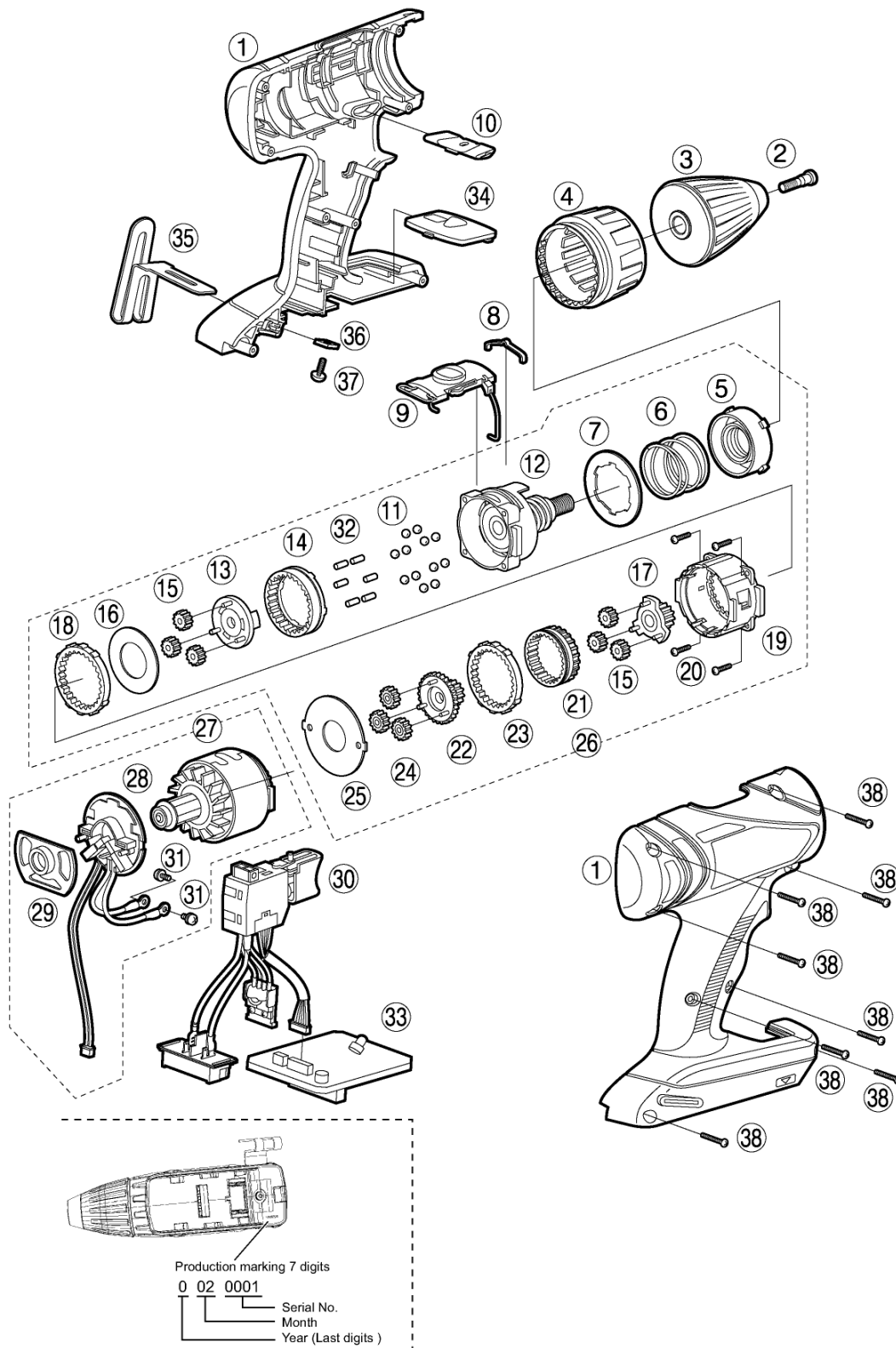


# 7 Exploded View and Replacement Parts List

Model No. : EY7441 Exploded View for EY7441



## Model No. : EY7441 Parts List

Safety	Ref. No.	Part No.	Part Name & Description	Q'ty	Remarks
EY7441					
	1	WEY7441K3078	HOUSING AB SET	1	
	2	WEY6450L6806	CHUCK FASTENING SCREW	1	
	3	WEY7441K7917	KEYLESS CHUCK	1	
	4	WEY7441H3227	CLUTCH HANDLE	1	
	5	WEY7441L0637	ADJUSTING SCREW	1	
	6	WEY7441L0177	CLUTCH SPRING	1	
	7	WEY7441L0577	CLUTCH PLATE	1	
	8	WEYT107L0457	CLICK SPRING A	1	
	9	WEY7460H3237	H/L CHANGE HANDLE	1	
	10	WEY7460H3248	F/R SELECTOR HANDLE	1	
	11	WEY7441L6968	STEEL BALL	12	( $\phi 5$ ), (12PCS/PK)
	12	WEY7441L1088	DRIVING BLOCK	1	
	13	WEY7441L1138	CARRIER	1	
	14	WEY7441L1428	RING GEAR	1	
	15	WEY7441L1348	PLANET GEAR	6	(3PCS/PK)
	16	WEY7441L0858	THRUST PLATE	1	( $\phi 37.95$ )
	17	WEY7441L1118	CARRIER	1	
	18	WEY7441L0268	STOPPER	1	
	19	WEY7441L1768	GEAR CASE	1	
	20	WEY7441K9628	TAPPING SCREW	4	(K3-12)
	21	WEY7441L1458	RING GEAR A	1	
	22	WEY7441L1128	CARRIER B	1	
	23	WEY7441L1468	RING GEAR B	1	
	24	WEY7441L1368	PLANET GEAR B	3	(3PCS/PK)
	25	WEY7441L0888	THRUST PLATE	1	$\phi 37.8$
	26	WEY7441L4057	GEAR BOX BLOCK	1	
	27	WEY7441L1007	MOTOR ASSEMBLY	1	
	28	WEY7441L2577	MOTOR BRUSH ASSEMBLY	1	
	29	WEY7441L0127	FIXING PLATE	1	
	30	WEY7441L2007	SWITCH ASSEMBLY	1	
	31	WEY7441L6028	SCREW	2	(K3-6)
	32	WEY7441L0378	ROLLER SET	6	( $\phi 3.175 \times 7.2$ ), (6PCS/PK)
	33	WEY7441L2117	CONTROL PCB	1	
	34	WEY7460K3958	OPERATION PANEL	1	
	35	WEY7543K3187	PLATE HOOK	1	
	36	WEY7441L6487	NUT	1	(M4)
	37	WEY7441K6217	SCREW	1	(4-14)
	38	WEY7441K9038	TAPPING SCREW	8	(K3-20)
	-	WEY9633K7019	TOOL CASE	1	
	-	WEY7441K8108	OPERATING INSTRUCTIONS	1	