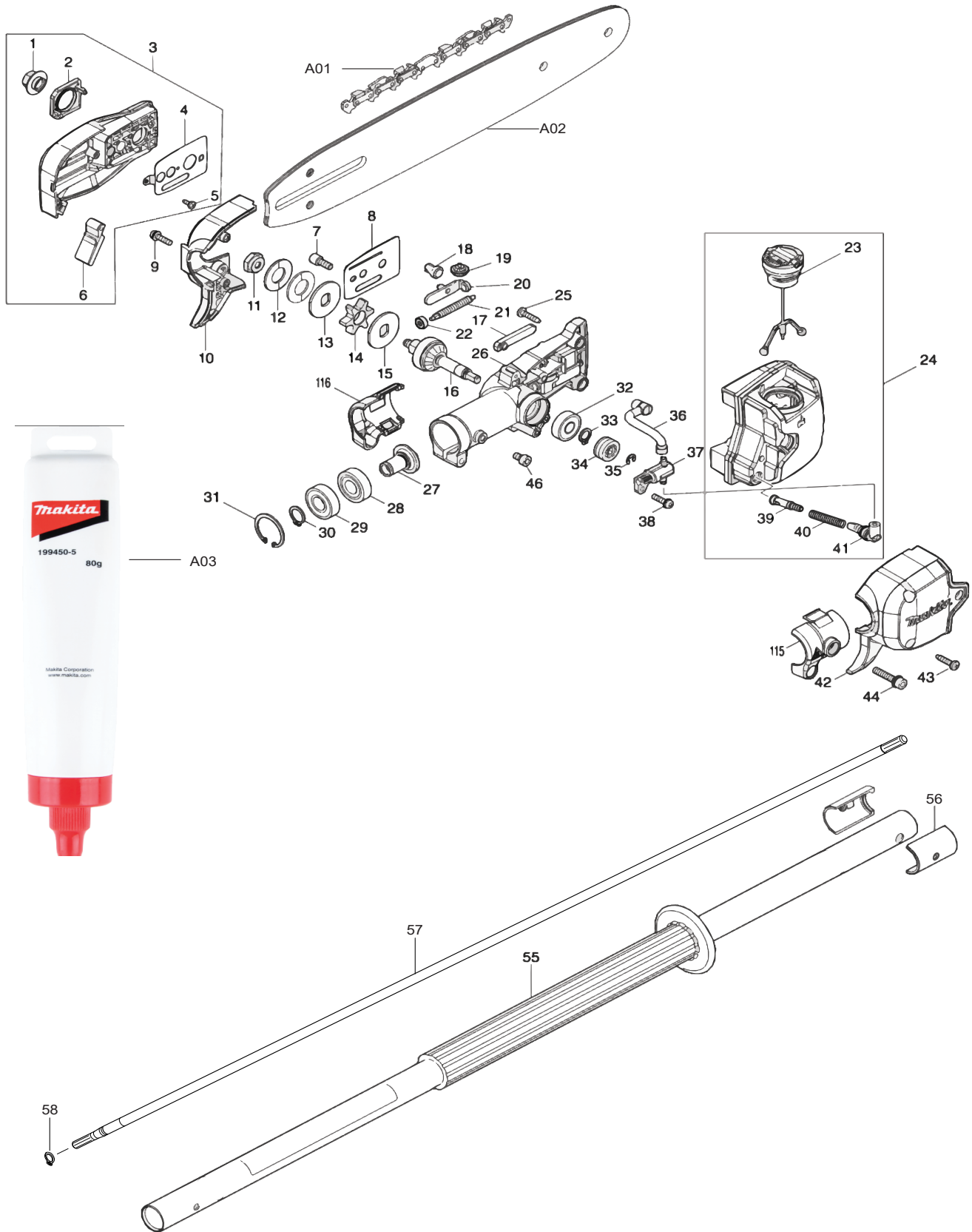




EY402MP



Products with multiple versions are listed in subsiding order with the newest version on top not indented.

Section	Fig. No.	Part No.	Description	EY402MP	Tech Bulletin	Notes
1	001	162494-8	FLANGE NUT COMPLETE	1		
1	002	412638-3	NUT COVER	1		
1	003	136373-6	SPROCKET COVER ASSY	1		INC. 1,2,4-6
1	004	347707-0	GUIDE PLATE L	1		
1	005	265954-0	TAPPING SCREW BIND PT3X8	1		
1	006	422599-9	CHIP GUIDE	1		
1	007	266905-6	H.L. SOCKET HEAD BOLT M5X12	1		
1	008	347708-8	GUIDE PLATE R	1		
1	009	911128-8	P.H.SCREW M4X16 WITH WR	2		
1	010	183R95-7	GEAR CASE HOUSING SET	1		INC. 42
1	011	252291-1	HEX. NUT M6	1		
1	012	232626-2	CORNED DISK SPRING 14	2		
1	013	347705-4	LOCK WASHER 12	1		
1	014	226992-7	SPROCKET 6	1		
1	015	347705-4	LOCK WASHER 12	1		
1	016	141D34-9	SPINDLE COMPLETE A	1		
1	017	422602-6	GROMET	1		
1	018	227620-7	DRIVE GEAR	1		
1	019	227634-6	STRAIGHT BEVEL GEAR 14	1		
1	020	347706-2	TENSION SLIDE	1		
1	021	327606-2	ADJUST SCREW	1		
1	022	227496-2	STRAIGHT BEVEL GEAR 14	1		
1	023	126832-8	TANK CAP ASSEMBLY	1		
1	024	136372-8	OIL TANK ASSEMBLY	1		INC. 23,39-41
1	025	266326-2	TAPPING SCREW 4X18	3		
1	026	136301-1	GEAR CASE ASSEMBLY	1		
1	027	141D35-7	SPIRAL BEVEL GEAR 18 COMPLETE	1		
1	028	211131-2	BALL BEARING 6001DDW	1		
1	029	211101-1	BALL BEARING 6001ZZ	1		
1	029	211148-5	BALL BEARING 6001ZZ	1		
1	030	961052-5	RETAINING RING S-12	1		
1	031	962106-1	RETAINING RING R-28	1		
1	032	211491-2	BALL BEARING 609DDW	1		
1	033	961005-4	RETAINING RING S-9	1		
1	034	226884-0	WORM GEAR	1		

Products with multiple versions are listed in subsiding order with the newest version on top not indented.

Section	Fig. No.	Part No.	Description	EY402MP	Tech Bulletin	Notes
1	035	961011-9	STOP RING E-4	1		
1	036	422600-0	OIL TUBE 3-70	1		
1	037	140U04-7	OIL PUMP COMPLETE	1		
1	038	911128-8	P.H.SCREW M4X16 WITH WR	1		
1	039	452666-6	NIPPLE	1		
1	040	231975-4	SPRING	1		
1	041	422601-8	OIL TUBE 3-14	1		
1	042	183R95-7	GEAR CASE HOUSING SET	1		INC. 10
1	043	266326-2	TAPPING SCREW 4X18	3		
1	044	922243-3	HEX. SOCKET HEAD BOLT M5X25	1		
1	046	922202-7	HEX. SOCKET HEAD BOLT M5X8	1		
1	055	140V08-5	PIPE 24 COMPLETE B US	1		
1	056	312A03-1	SLEEVE 28	2		
1	057	326088-5	SHAFT	1		
1	058	961003-8	RETAINING RING S-7	1		
1	115	183R91-5	GEAR CASE COVER SET	1		INC. 116
1	116	183R91-5	GEAR CASE COVER SET	1		INC. 115
1	A01	E-12740	SAW CHAIN SET	1		
1	A02	E-12734	GUIDE BAR 10"	1		
1	A03	199450-5	GEAR CASE GREASE	1		