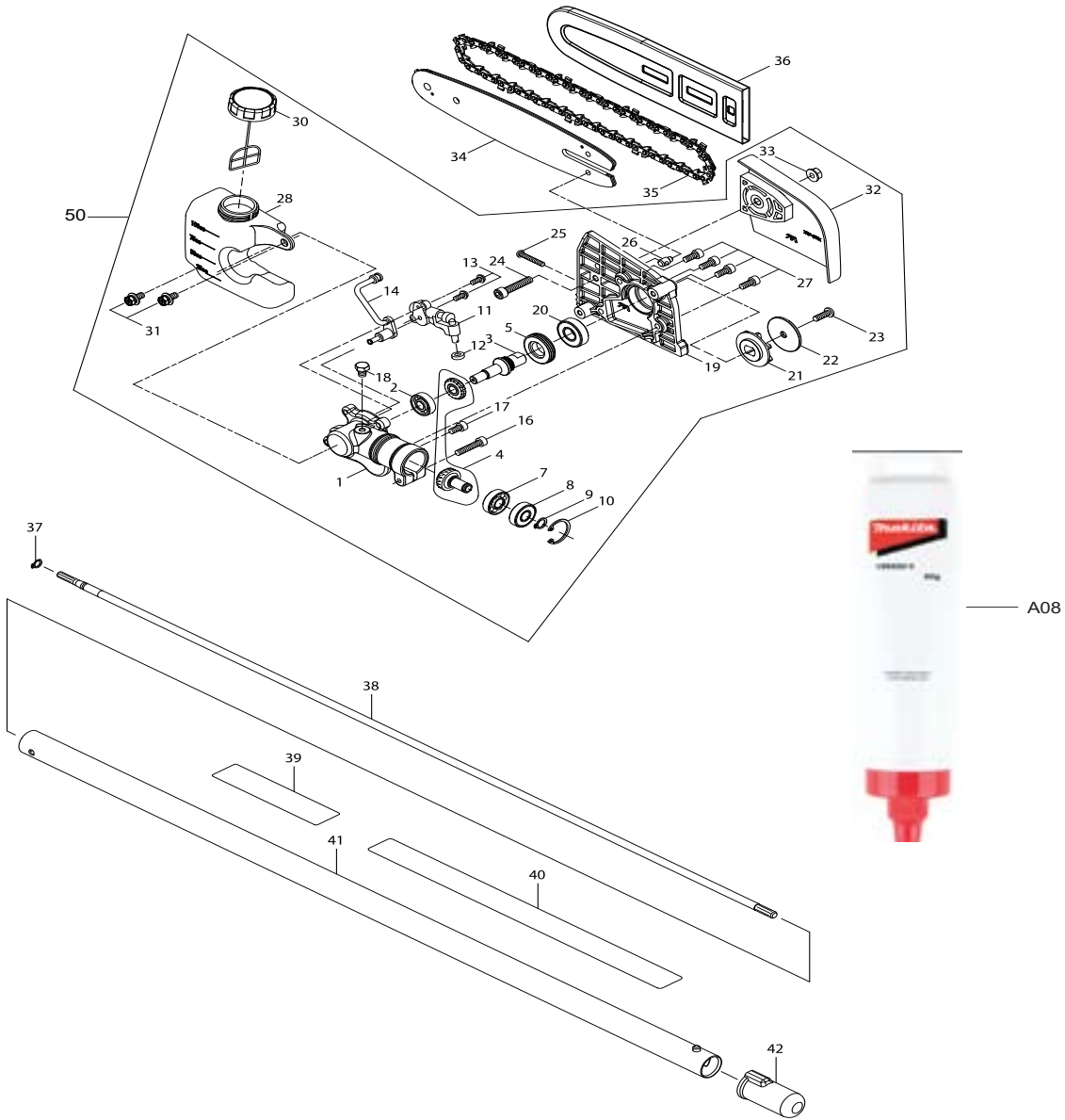




EY401MP
PS-CS1



Products with multiple versions are listed in subsiding order with the newest version on top not indented.

Section	Fig. No.	Part No.	Description	EY401MP	PS-CS1	Tech Bulletin	Notes
1	1	XTM0000001	GEAR CASE A	1	1		
1	2	XTM0000002	BALL BEARING 608	1	1		
1	3	XTM0000024	GEAR SHAFT	1	1	C6353	>OCT 2018
1	3	XTM0000024	GEAR SHAFT	1	1		<OCT 2018
1	4	XTM0000004	BEVEL GEAR SHAFT	1	1		
1	5	XTM0000005	WORM WHEEL	1	1		
1	7	XTM0000006	BALL BEARING 609	1	1		
1	8	XTM0000007	BALL BEARING 609Z	1	1		
1	9	961005-4	RETAINING RING S-9	1	1		
1	10	962103-7	RETAINING RING R-24	1	1		
1	11	XTM0000025	OIL PUMP	1	1		
1	12	XTM0000009	SEAL	1	1		
1	13	911111-5	PAN HEAD SCREW M4X10	2	2		
1	14	XTM0000010	OIL PIPE ASSY	1	1		
1	16	922242-5	HEX. SOCKET HEAD BOLT M5X25	1	1		
1	17	922207-7	HEX. SOCKET HEAD BOLT M5X10	1	1		
1	18	XTM0000011	HB BOLT 6X8	1	1		
1	19	XTM0000027	GEAR CASE B	1	1		
1	20	XTM0000013	BALL BEARING 6001DDW	1	1		
1	21	XTM0000014	SPROCKET	1	1		
1	22	XTM0000015	SPROCKET WASHER	1	1	C6353	>OCT 2018
1	23	XTM0000016	H.S. BOTTOM HEAD SCREW M6X15	1	1		<OCT 2018
1	24	922352-8	HEX. SOCKET HEAD BOLT M6X30	1	1	C6353	>OCT 2018
1	25	XTM0000017	ADJUSTER SCREW M4X25	1	1		<OCT 2018
1	26	XTM0000018	ADJUSTER	1	1		
1	27	922212-4	HEX SOCKET HEAD BOLT M5X12	4	4		
1	28	XTM0000019	OIL TANK ASS'Y	1	1		
1	30	XTM0000020	TANK CAP ASS'Y	1	1		
1	31	XTM0000021	H.S.H. BOLT M5X12SW	2	2		
1	32	XTM0000022	CHAIN COVER	1	1		
1	33	XTM0000023	FLANGE NUT M6	1	1		
1	34	E-00050	GUIDE BAR 10	1			
1	34	165700-0	GUIDE BAR 10		1		
1	35	196725-3	SAW CHAIN SET	1	1		
1	36	452094-5	GUIDE BAR COVER	1	1		

Products with multiple versions are listed in subsiding order with the newest version on top not indented.

Section	Fig. No.	Part No.	Description	EY401MP	PS-CS1	Tech Bulletin	Notes
1	37	961003-8	RETAINING RING S-7	1	1		
1	38	326088-5	SHAFT A	1	1		
1	41	141106-6	SHAFT A COMPLETE	1	1		
1	42	424434-7	CAP 24	1	1		
1	50	127300-4	POLE SAW HEAD ASSY	1	1		
1	A08	199450-5	GEAR GREASE	1	1		