

SCREW ON HAND TIGHT 4

2 TORQUE 20-25 IN-LBS

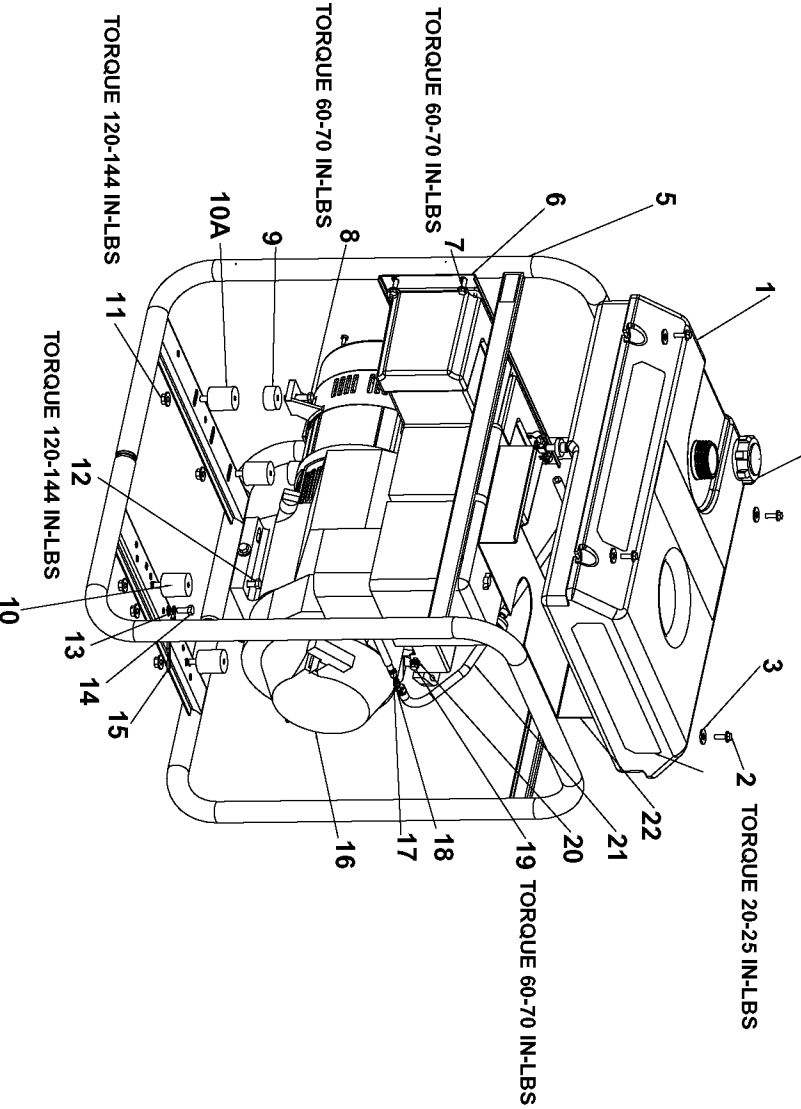
19 TORQUE 60-70 IN-LBS

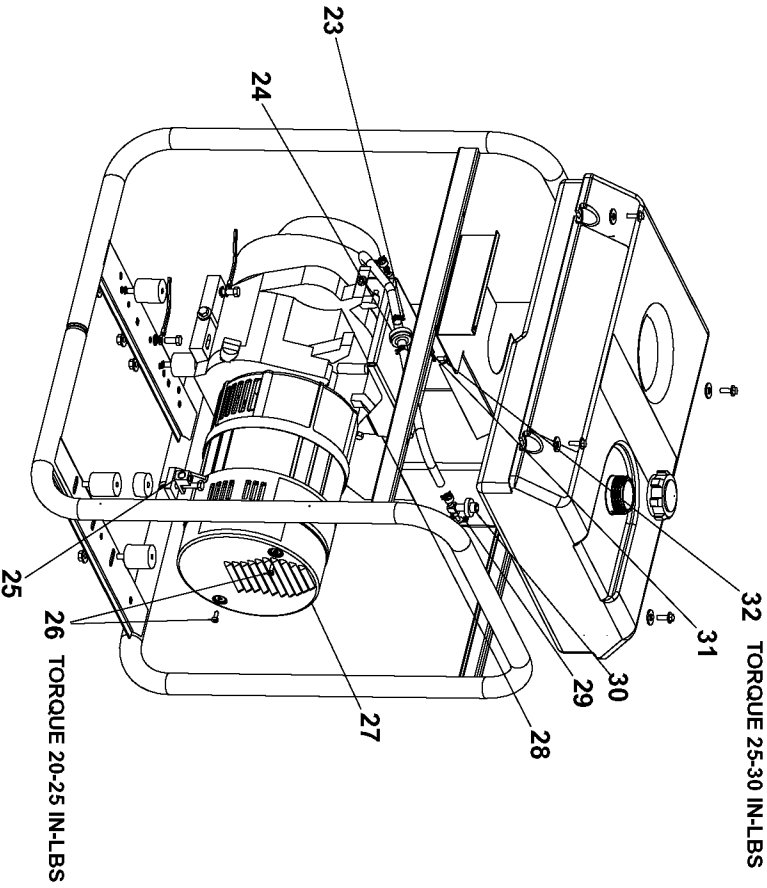
TORQUE 60-70 IN-LBS

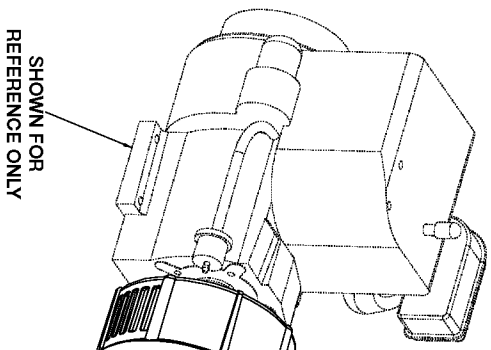
TORQUE 60-70 IN-LBS

TORQUE 120-144 IN-LBS

TORQUE 120-144 IN-LBS







SHOWN FOR
REFERENCE ONLY

33 ORIENT WITH VENTS DOWNWARD AS SHOWN

34 TORQUE TO 204-264 IN-LBS

37 TORQUE UNTIL THREADS RUN OUT

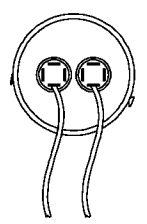
43 TORQUE TO 60-70 IN-LBS

36 TORQUE TO 120-144 IN-LBS 40

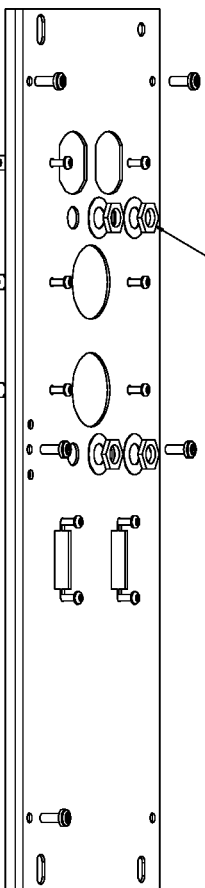
BOLT FLANGES TOP PARALLEL
WITH ENGINE BASE

45 TORQUE TO 30-40 IN-LBS

SHOWN FOR
REFERENCE ONLY



CAPACITOR WIRING



TORQUE 15-25 IN-LBS

ATTACH SPEED CLIP
PRIOR TO ASSEMBLY
OF DEVICES
TO FACE PLATE

47

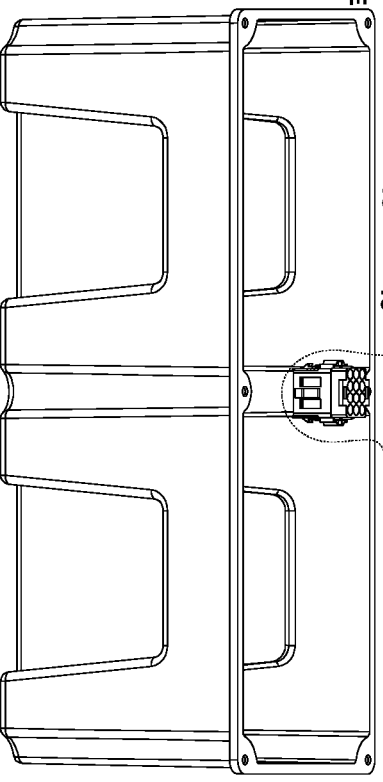
48

49

50

51

WIRING HARNESS PIN PLUG
TO BE SNAPPED INTO OPENING
INSIDE REAR COVER



Parts List for EXGHV4510 Type 1

| Item Number | Part Number | Description | Qty Required |
|-------------|-------------|----------------------|--------------|
| 1 | Z-GS-0795 | TANK FUEL 7G SS | 1 |
| 2 | 91895680 | SCREW .250-20X.750 H | 1 |
| 3 | SSN-632 | WASHER .875 OD .375 | 1 |
| 4 | GS-0443 | CAP FUEL TANK | 1 |
| 5 | 000000-00 | No Longer Available | 1 |
| 6 | 000000-00 | No Longer Available | 1 |
| 7 | 91895680 | SCREW .250-20X.750 H | 1 |
| 8 | 95829230 | SCREW .313-18X1.50 H | 1 |
| 9 | 000000-00 | No Longer Available | 1 |
| 10 | GS-0433 | ISOLATOR | 1 |
| 10 | GS-0433 | ISOLATOR | 1 |
| 11 | SSF-8150 | NUT .312-18 UNC HEX | 1 |
| 12 | 5140123-06 | SCREW | 1 |
| 13 | N017772 | LOCK WASHER | 1 |
| 14 | SS-12-CD | SCREW .313-18X.750 H | 1 |
| 15 | GS-0118 | STRAP GROUND | 1 |
| 16 | 000000-00 | No Longer Available | 1 |
| 17 | 000000-00 | No Longer Available | 1 |
| 18 | GS-0535 | UNION REDUCER 1/4 X | 1 |
| 19 | 39124607 | SCREW .250-20X.625 H | 1 |
| 20 | 5130235-00 | LOCK WASHER | 1 |
| 21 | Z-A14582 | HOSE FUEL | 1 |
| 22 | 000000-00 | No Longer Available | 1 |
| 23 | GS-0227 | CLAMP FUEL .50 | 1 |
| 24 | GS-0459 | FILTER FUEL | 1 |
| 25 | GS-0117 | LUG GROUND | 1 |
| 26 | SSF-553-1 | SCREW #10-24X.563 TH | 1 |

Parts List for EXGHV4510 Type 1

| Item Number | Part Number | Description | Qty Required |
|-------------|-------------|----------------------|--------------|
| 27 | GS-0077 | COVER END BLANK | 1 |
| 28 | 000000-00 | No Longer Available | 1 |
| 29 | GS-0437 | DRAIN COCK | 1 |
| 30 | N103455 | GROMMET | 1 |
| 31 | 000000-00 | No Longer Available | 1 |
| 32 | SSF-627 | SCREW M5X8.5X12 HEX | 1 |
| 33 | 000000-00 | No Longer Available | 1 |
| 34 | SSN-619 | WASHER .375 SPRING L | 1 |
| 35 | 5140125-93 | SCREW | 1 |
| 36 | Z-D27809 | ASSY GEN 3.255 2D IC | 1 |
| 36 | D29822 | KIT SERVICE FOCUS MO | 1 |
| 37 | GS-0110 | BOLT STATOR THRU 130 | 1 |
| 38 | Z-D27809 | ASSY GEN 3.255 2D IC | 1 |
| 38 | D29822 | KIT SERVICE FOCUS MO | 1 |
| 39 | 330016-13 | WASHER | 1 |
| 40 | SSF-576 | NUT .313-24 HEX W/KE | 1 |
| 41 | GS-0091-1 | BOLT ROTOR THRU 130L | 1 |
| 42 | GS-0681 | BREAKER CIRCUIT | 1 |
| 43 | SSF-575 | NUT .250-20 HEX W/KE | 1 |
| 44 | GS-0592 | CAPACITOR 35uF 3% 37 | 1 |
| 45 | GS-0595 | BRACKET CAPACITOR 2. | 1 |
| 46 | SSF-553-1 | SCREW #10-24X.563 TH | 1 |
| 47 | GS-0019 | RECEPTACLE 120V 20A | 1 |
| 48 | GS-0480 | RECEPTACLE 125V 20A | 1 |
| 49 | GS-0445 | RECEPTACLE 4 PRONG T | 1 |
| 50 | Z-GS-0024 | BREAKER CIRCUIT 125/ | 1 |
| 51 | GS-0045 | SWITCH FULL POWER | 1 |

Parts List for EXGHV4510 Type 1

| Item Number | Part Number | Description | Qty Required |
|-------------|-------------|----------------------|--------------|
| 856 | GS-0082 | DIODE DSA | 1 |
| 856 | GS-0862 | O-RING ROTOR BEARING | 1 |