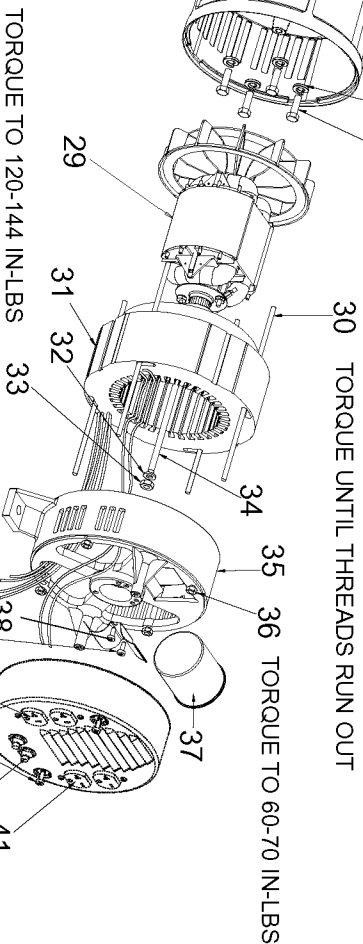


SHOWN FOR
REFERENCE ONLY

26 ORIENT WITH VENTS DOWNWARD AS SHOWN
27 28 TORQUE TO 204-264 IN-LBS

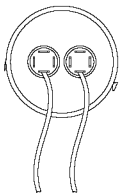


TORQUE TO 120-144 IN-LBS

30 TORQUE UNTIL THREADS RUN OUT

TORQUE TO 30-40 IN-LBS

35 36 TORQUE TO 60-70 IN-LBS



CAPACITOR WIRING

SHOWN FOR
REFERENCE ONLY

39 40

41 42

Parts List for EXGB5010 Type 1

Item Number	Part Number	Description	Qty Required
1	91895680	SCREW .250-20X.750 H	1
2	Z-GS-0795	TANK FUEL 7G SS	1
3	GS-0443	CAP FUEL TANK	1
4	Z-A14582	HOSE FUEL	1
5	GS-0227	CLAMP FUEL .50	1
6	N103455	GROMMET	1
7	GS-0437	DRAIN COCK	1
8	GS-0079	COVER END DOUBLE REC	1
9	SSF-553-1	SCREW #10-24X.563 TH	1
10	000000-00	No Longer Available	1
11	SSN-1014-ZN	WASHER .339/.344 ID	1
12	SSF-8111-ZN	NUT .375-16 HEX WHIZ	1
13	GS-0117	LUG GROUND	1
14	SS-12-CD	SCREW .313-18X.750 H	1
15	SSF-3140-ZN	SCREW .375-16X1.00 H	1
16	SSF-8150	NUT .312-18 UNC HEX	1
17	GS-0033	ISOLATOR VIBRATION 1	1
17	GS-0033	ISOLATOR VIBRATION 1	1
18	N017772	LOCK WASHER	1
19	GS-0118	STRAP GROUND	1
20	95829230	SCREW .313-18X1.50 H	1
21	000000-00	No Longer Available	1
22	000000-00	No Longer Available	1
23	000000-00	No Longer Available	1
24	5140123-06	SCREW	1
25	330016-13	WASHER	1
26	000000-00	No Longer Available	1

Parts List for EXGB5010 Type 1

Item Number	Part Number	Description	Qty Required
27	5140125-93	SCREW	1
28	5140125-93	SCREW	1
29	Z-D27809	ASSY GEN 3.255 2D IC	1
29	D27092	KIT SERVICE FOCUS MO	1
30	GS-0110	BOLT STATOR THRU 130	1
31	Z-D27809	ASSY GEN 3.255 2D IC	1
31	D27092	KIT SERVICE FOCUS MO	1
32	330016-13	WASHER	1
33	SSF-576	NUT .313-24 HEX W/KE	1
34	GS-0091-1	BOLT ROTOR THRU 130L	1
35	000000-00	No Longer Available	1
36	SSF-575	NUT .250-20 HEX W/KE	1
37	GS-0104	CAPACITOR 50 UF	1
38	K-0378	KIT SUPPORT BEARING	1
39	SSF-553-1	SCREW #10-24X.563 TH	1
40	GS-0019	RECEPTACLE 120V 20A	1
41	000000-00	No Longer Available	1
41	000000-00	No Longer Available	1
42	D21508	BREAKER CIRCUIT	1
856	000000-00	No Longer Available	1
856	000000-00	No Longer Available	1
856	000000-00	No Longer Available	1
856	GS-0082	DIODE DSA	1
856	GS-0862	O-RING ROTOR BEARING	1