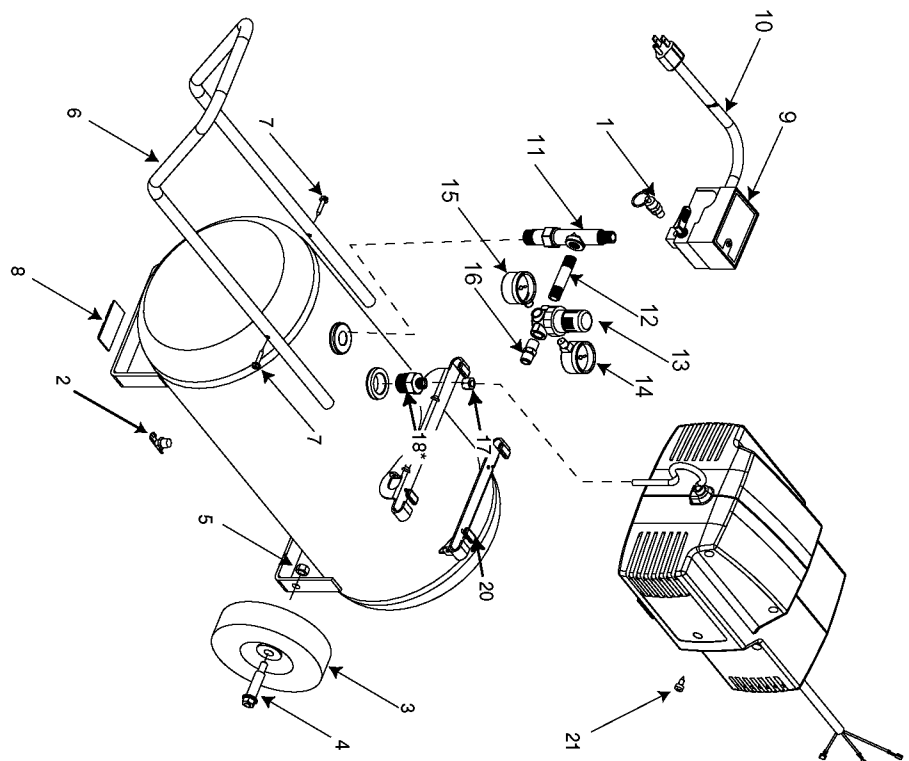


*** IMPORTANT:** Some models were built with a check valve and bushing reducer. If check valve needs to be replaced, remove the old check valve and reducer bushing before replacing with the preferred one piece check valve (Key 18).

***IMPORTANT:** Algunos modelos están fabricados con una válvula de retención y un buje reductor. Si se requiere cambiar la válvula de retención, sacarla y también sacar el buje reductor antes de instalar la válvula de retención de una pieza que se prefiere (No. 18)

*** IMPORTANT :** Certains modèles ont été construits avec une soupape de retenue et une douille de réduction. Si la soupape de retenue doit être remplacée, retirez l'ancienne soupape de retenue et la douille de réduction avant de les remplacer par la soupape de retenue monobloc préférée (article 18).



Parts List for EXFAC2080 Type 1

Item Number	Part Number	Description	Qty Required
1	TIA-4150	VALVE SAFETY 150 .25	1
2	N286039	DRAIN VALVE	1
3	000000-00	No Longer Available	2
4	CAC-60	BOLT .375-16X2.25 UN	2
5	SSF-8080-ZN	NUT .375-16 UNC-2B H	1
6	000000-00	No Longer Available	1
7	000000-00	No Longer Available	2
8	AC-0364	FOOT MOLDED BUMPER	1
9	5140117-70	PRESSURE SWITCH	1
10	D26615	CORD POWER ST 14GA 1	1
11	D28999	STANDPIPE 1/4 NPT X	1
12	SSP-480	NIPPLE 1/4-18 NPT X	1
13	N008792	REGULATOR RPR KIT	1
13	D27256	REGULATOR 4PORT P1P2	1
14	AC-0009-1	GAUGE RIGHT HAND	1
15	Z-AC-0010-1	GAUGE LEFT HAND	1
16	D26889	ADAPTER .25 NPT X .2	1
17	SSP-473	ASSY NUT SLEEVE 5/16	1
18	A19716	CHECK VALVE	1
20	CAC-1254	ISOLATOR PUMP	4
21	SSF-621	SCREW .250-14X.625 F	1
101	A06436	SHROUD KIT	1
102	A06438	SHROUD	1
103	D25877	HEAD UMC PRESSURE RE	1
104	N044359	TUBE SEAL	1
105	Z-D24819	GASKET HEAD UMC GRAP	1
106	N017592SV	VALVE PLATE ASSY	1

Parts List for EXFAC2080 Type 1

Item Number	Part Number	Description	Qty Required
107	DAC-269	TUBE OUTLET 2.5G UMC	1
108	D30139	KIT GRAPHITE GASKET	1
109	N036517	CYLINDER KIT	1
109	D21127	SCREW #10-24X.563 PA	1
109	A19123	SCREW	1
109	N036517	CYLINDER KIT	1
109	N036518	CON ROD ASSY	1
109	N036518	CON ROD ASSY	1
110	CAC-1206-1	CLAMP HOSE .250 ID H	1
114	SUDL-9-1	SCREW #8-32X.375/.34	1
115	D29132	SCREW	5
116	A00765	CORD ASSY UMC 15G 25	1
117	D25731	ISOLATOR PUMP	5
118	SSF-995	SCREW #10-24X.875 HH	4
122	AC-0206	TUBE ISOLATOR	1
124	5140120-58	BRUSH KIT	1
124	Z-D27196	BRUSH MOTOR UMC GOLD	1
124	Z-D23825	BRUSH MOTOR UMC GSE	1
125	AC-0815	BELT TIMING DAYCO	1
856	D26889	ADAPTER .25 NPT X .2	1
856	000000-00	No Longer Available	1
856	KK-4929	KIT FASTENER	1
856	CAC-1211	HOUSING ISOLATOR	1