



**BOSCH**

# Pn-Accu-Screwdriver

EXACT 12V-6-670 | 3 602 D96 480

---

## Table of Content

Spare parts list.....	2
Illustration - Type.....	3

**Spare parts list**

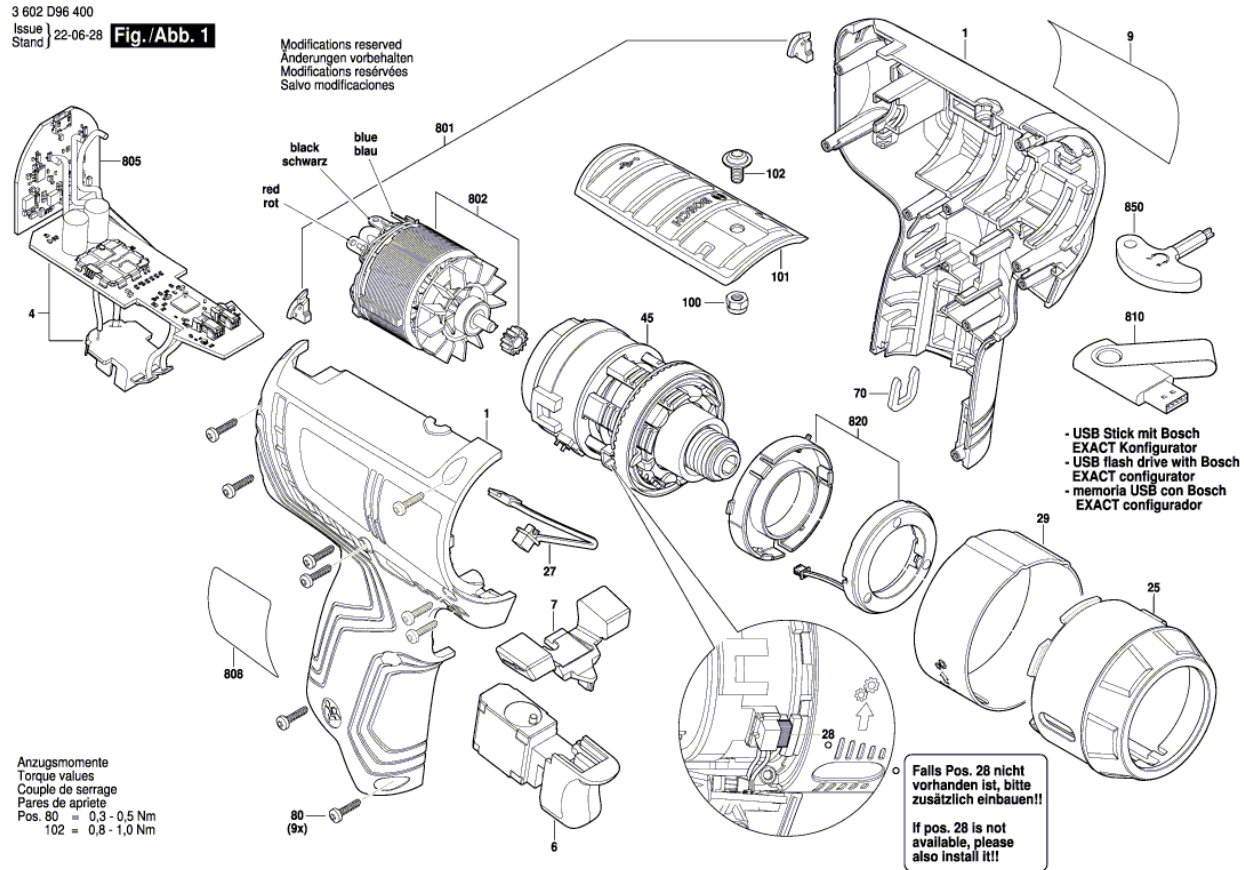
<b>Item</b>	<b>Part Number</b>	<b>Description</b>
1	3 605 105 053	Housing Section
4	1 607 503 925	Electronic Module
6	2 607 202 388	Switch
7	3 601 099 006	Switch Slide
9	1 601 11C 3ML	Manufacturer's nameplate EXACT 12V-6-670
25	3 605 105 056	Gear cover
27	1 607 503 928	Photoelec. Light Barrier
28	1 607 503 944	Foam Rubber
29	3 601 106 062	Identification Ring rot
45	3 607 030 497	Planetary Gear Train
70	2 609 110 537	Clip
80	2 609 110 883	Screw
100	2 609 110 835	Nut
101	3 605 105 055	Housing Cover
102	1 600 A02 3EF	Screw
801	1 600 A02 7SP	Light Conductor
802	3 607 031 924	Motor assembly
805	3 607 031 925	Electronics Module
808	1 607 000 E7Z	Nameplate
810	3 607 031 931	usb stick
820	3 607 031 929	LED lighting
850	3 607 950 027	Screwdriver

Illustration - Type - E

3 602 D96 400  
Issue |  
Stand |

22-06-28 **Fig./Abb. 1**

Modifications reserved  
Änderungen vorbehalten  
Modifications réservées  
Salvo modificaciones



black  
schwarz  
blue  
blau  
red  
rot

- USB Stick mit Bosch EXACT Konfigurator  
- USB flash drive with Bosch EXACT configurator  
- memoria USB con Bosch EXACT configurador

Falls Pos. 28 nicht vorhanden ist, bitte zusätzlich einbauen!!  
If pos. 28 is not available, please also install it!!

Anzugsmomente  
Torque values  
Couple de serrage  
Pares de apriete  
Pos. 80 = 0,3 - 0,5 Nm  
102 = 0,8 - 1,0 Nm