



BOSCH

Pn-Accu-Screwdriver

EXACT 12V-3-110 | 3 602 D96 481

Table of Content

Spare parts list.....	2
Illustration - Type.....	3

Spare parts list

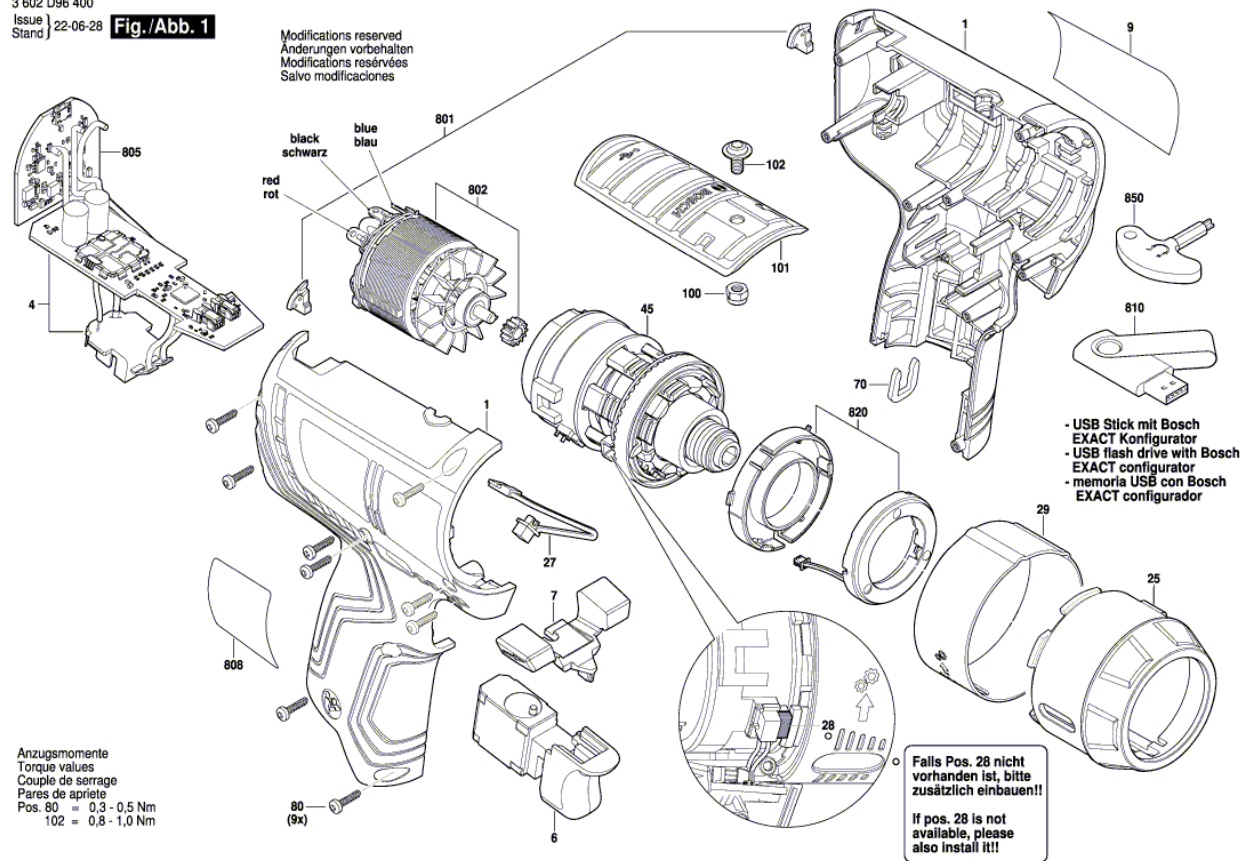
Item	Part Number	Description
1	3 605 105 053	Housing Section
4	1 607 503 925	Electronic Module
6	2 607 202 388	Switch
7	3 601 099 006	Switch Slide
9	1 601 11C 3JD	Manufacturer's nameplate EXACT 12V-3-1100
25	3 605 105 056	Gear cover
27	1 607 503 928	Photoelec. Light Barrier
28	1 607 503 944	Foam Rubber
29	3 601 106 062	Identification Ring rot
45	3 607 030 495	Planetary Gear Train
70	2 609 110 537	Clip
80	2 609 110 883	Screw
100	2 609 110 835	Nut
101	3 605 105 055	Housing Cover
102	1 600 A02 3EF	Screw
801	1 600 A02 7SP	Light Conductor
802	3 607 031 924	Motor assembly
805	3 607 031 926	Electronics Module
808	1 607 000 E80	Nameplate
810	3 607 031 931	usb stick
820	3 607 031 929	LED lighting
850	3 607 950 027	Screwdriver

Illustration - Type - E

3 602 D96 400
Issue |
Stand |

22-06-28 **Fig./Abb. 1**

Modifications reserved
Änderungen vorbehalten
Modifications réservées
Salvo modificaciones



black
schwarz

blue
blau

red
rot

- USB Stick mit Bosch EXACT Konfigurator
- USB flash drive with Bosch EXACT configurator
- memoria USB con Bosch EXACT configurador

Anzugsmomente
Torque values
Couple de serrage
Pares de apriete
Pos. 80 = 0,3 - 0,5 Nm
102 = 0,8 - 1,0 Nm

Falls Pos. 28 nicht vorhanden ist, bitte zusätzlich einbauen!!
If pos. 28 is not available, please also install it!!