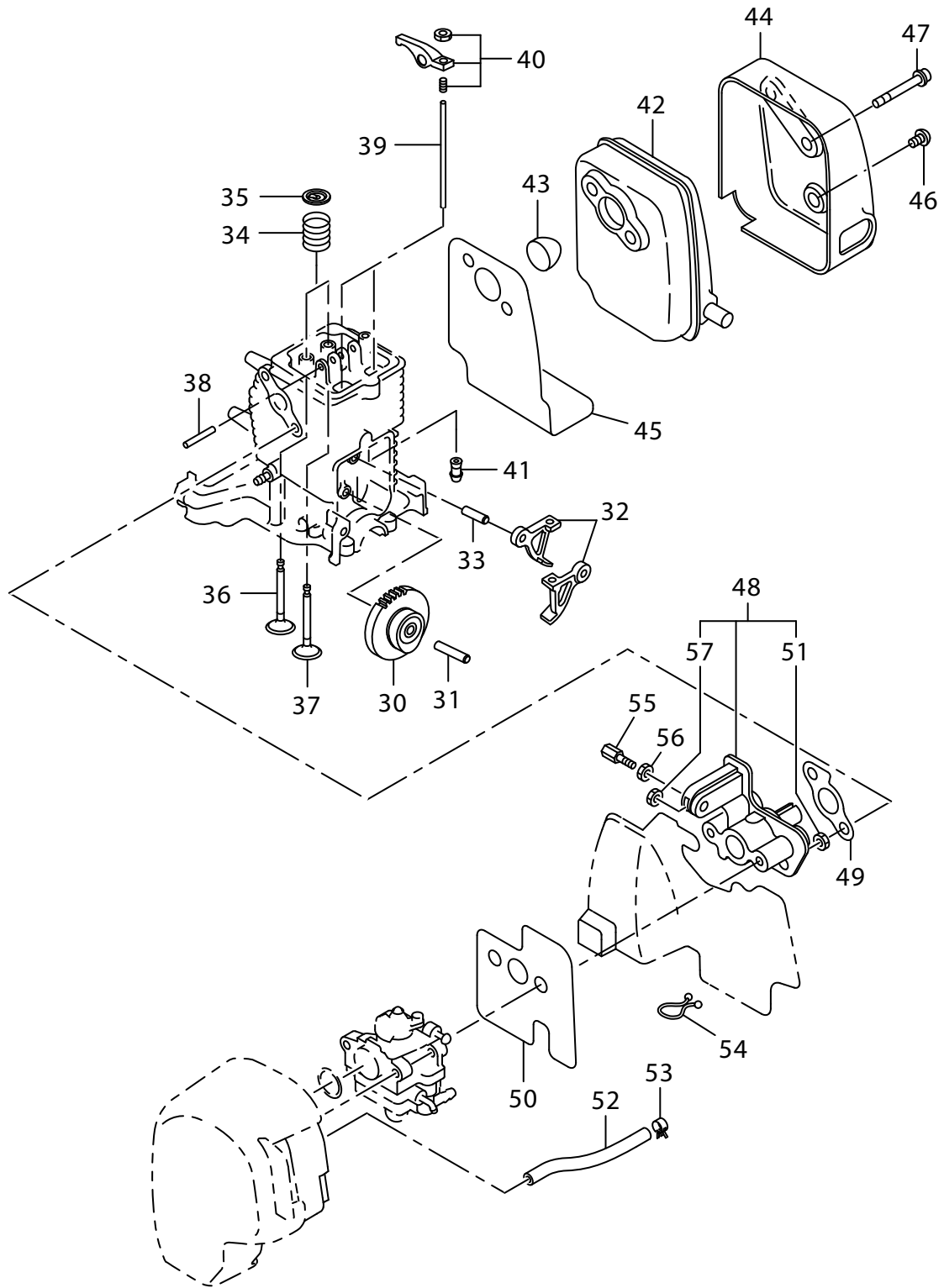
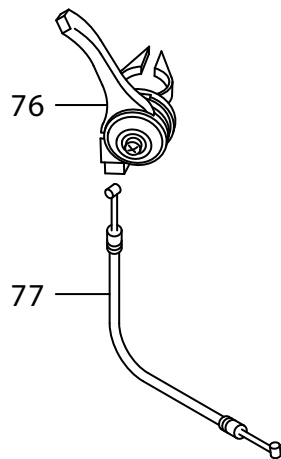
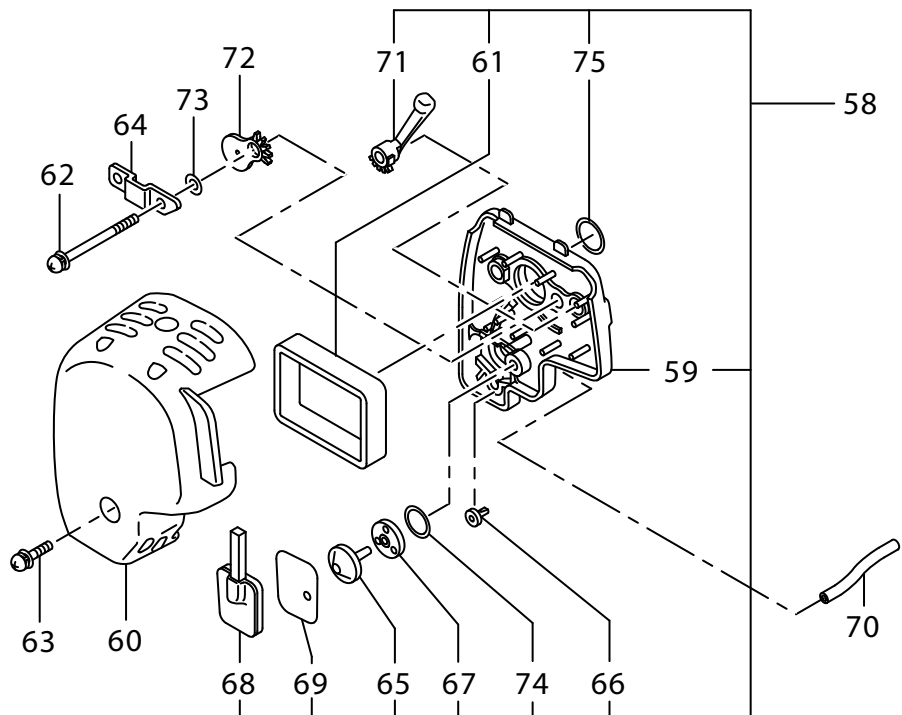


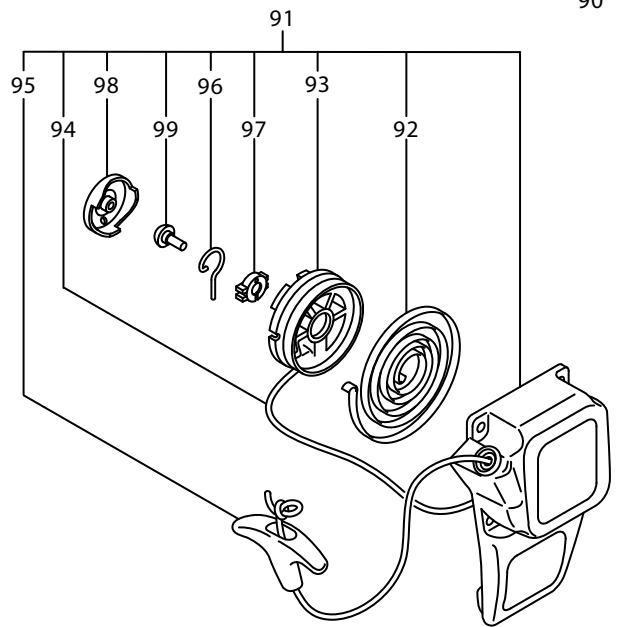
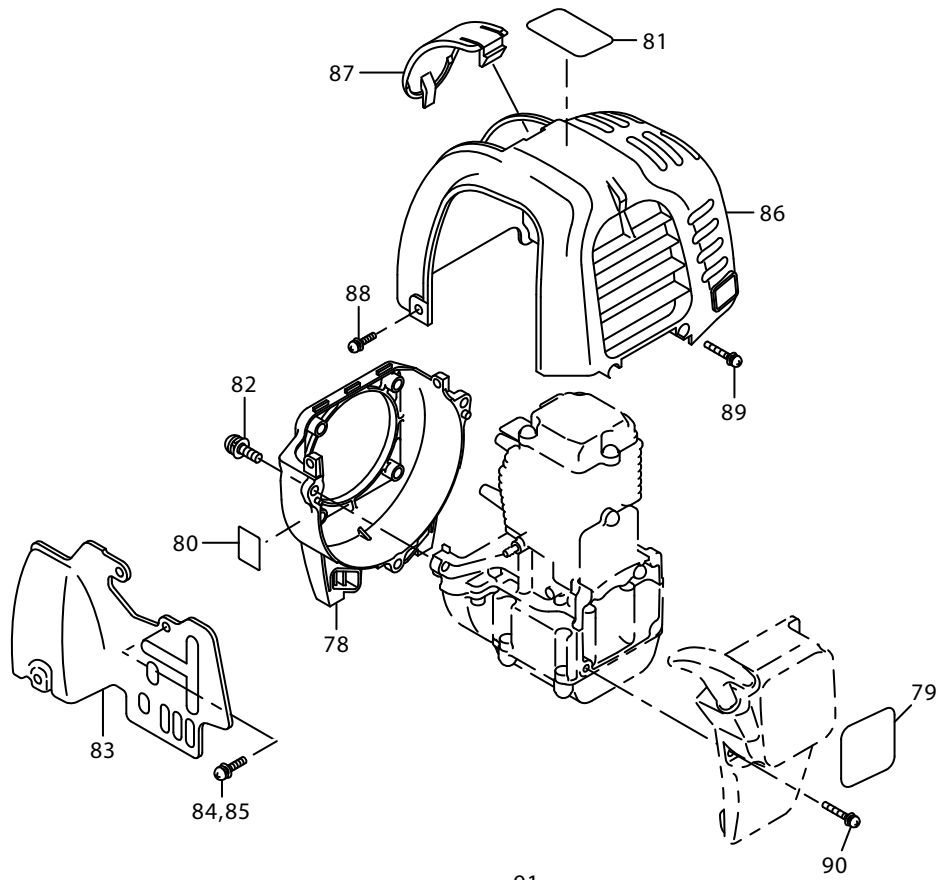
2 MODEL EW120R

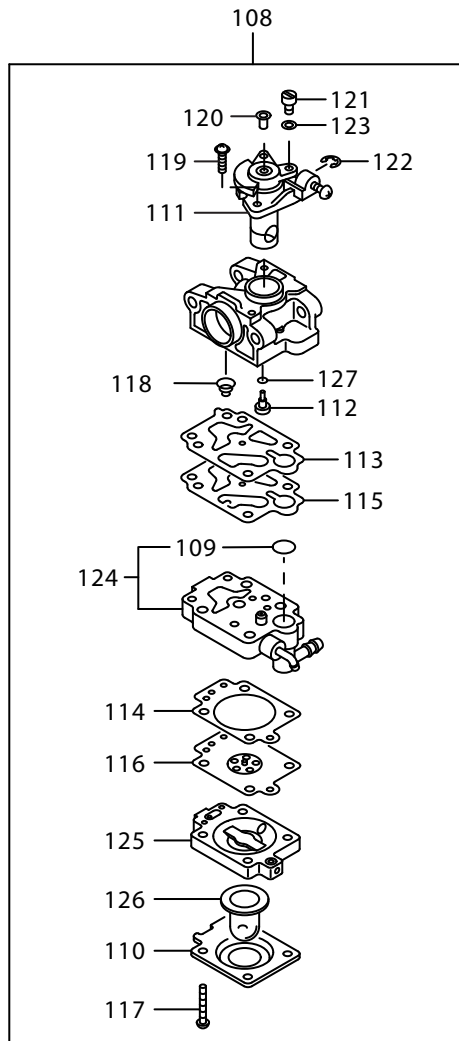
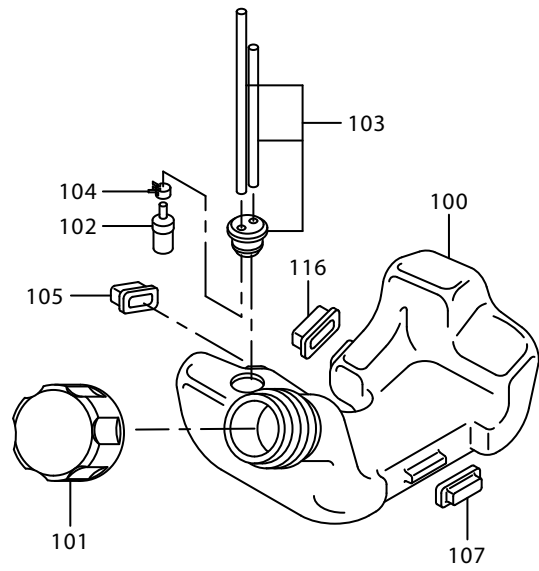


3 MODEL EW120R

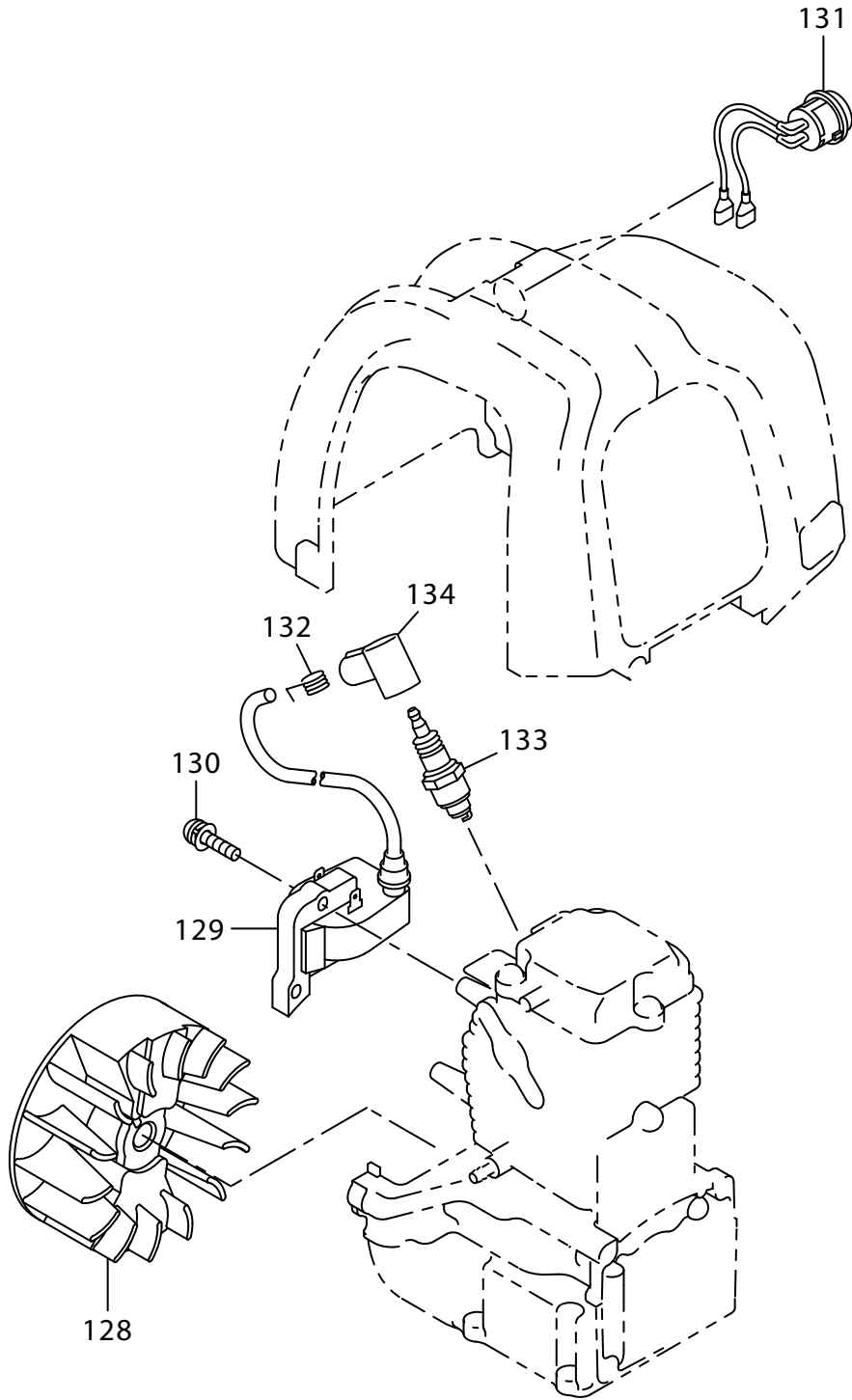


4 MODEL EW120R

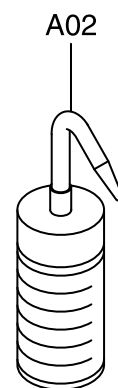
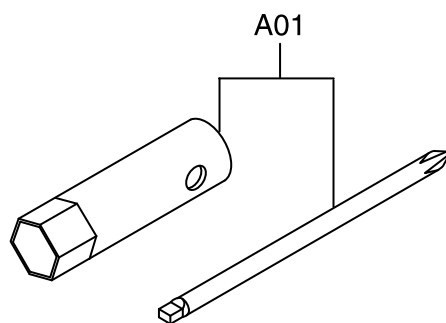
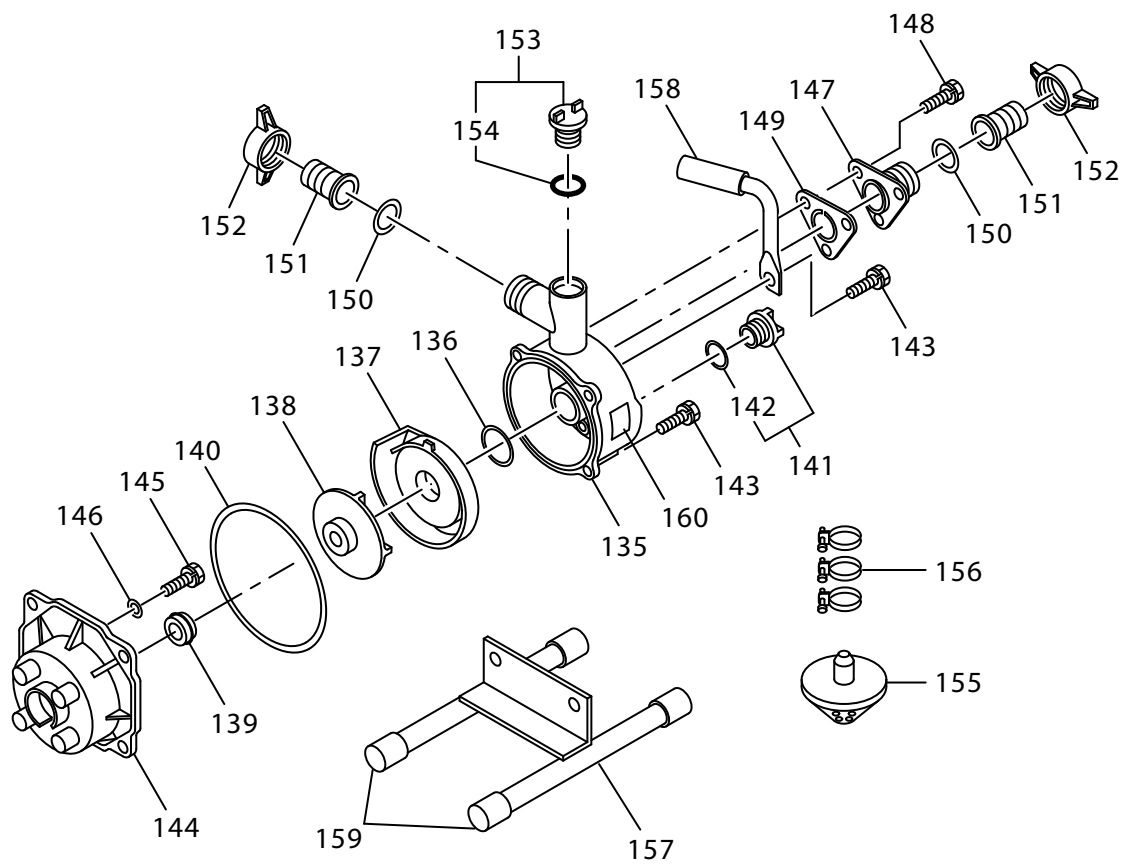




6 MODEL EW120R



7 MODEL EW120R



8 MODEL EW120R

| Item No. | Type | Sub | Part No. | Description | Qty | Unit |
|----------|------|------|--------------|--------------------------|-----|------|
| 1 | 4 | | 5921045000 | * CYLINDER BLOCK SET | 1 | PC. |
| | | INC. | | * Item No. 2, 41 | | |
| | 5 | | 135562-0 | CYLINDER BLOCK ASSY | 1 | PC. |
| 2 | 1 | | 0119059510 | SOCKET HEAD BOLT M5X14 | 8 | PC. |
| | 2 | | 0119059510 | SOCKET HEAD BOLT M5X14 | 8 | PC. |
| | 3 | | 266811-5 | H.S.H.BOLT M5X14 | 8 | PC. |
| 3 | 1 | | 5926500900 | GUARDCASE OIL | 2 | PC. |
| | 2 | | 424530-1 | OIL CASE GUARD | 2 | PC. |
| 4 | 1 | | 5926500600 | OIL GAUGE | 1 | PC. |
| | 2 | | 450565-6 | OIL GAUGE | 1 | PC. |
| 5 | 1 | | 0213169990 | GASKET | 1 | PC. |
| | 2 | | 424100-6 | GASKET | 1 | PC. |
| 6 | 1 | | 5926500000 | OIL CASE | 1 | PC. |
| | 2 | | 318442-7 | OIL CASE | 1 | PC. |
| 7 | 1 | | 5926500100 | CASE GASKET | 1 | PC. |
| | 2 | | 162276-8 | CASE GASKET | 1 | PC. |
| 8 | 1 | | 0043605180 | SCREW ASS'Y M5X18 | 4 | PC. |
| | 2 | | 0119059510 | SOCKET HEAD BOLT M5X14 | 4 | PC. |
| | 3 | | 266811-5 | H.S.H.BOLT M5X14 | 4 | PC. |
| 9 | 1 | | 5921004001 | ROCKER COVER COMPLETE | 1 | PC. |
| | 2 | | 140023-7 | ROCKER COVER COMPLETE | 1 | PC. |
| 10 | 1 | | 5921500800 | ROCKER COVER GASKET | 1 | PC. |
| | 2 | | 162275-0 | ROCKER COVER GASKET | 1 | PC. |
| 11 | 1 | | 0043605160 | SCREW ASS'Y M5X16 (WSW) | 3 | PC. |
| | 2 | | 266494-1 | + PAN HEAD SCREW M5X16 | 3 | PC. |
| 12 | 1 | | 5921500502 | CAMGEAR COVER | 1 | PC. |
| | 2 | | 318443-5 | CAM GEAR COVER | 1 | PC. |
| 13 | 1 | | 5921500700 | CAMGEAR COVER GASKET | 1 | PC. |
| | 2 | | 162274-2 | CAM GEAR COVER GASKET | 1 | PC. |
| 14 | | | 0043605140 | SCREW ASS'Y M5X14 | 3 | PC. |
| 15 | 1 | | 5921501000 | REED VALVE | 1 | PC. |
| | 2 | | 346083-9 | LEAD VALVE | 1 | PC. |
| 16 | 1 | | 5921501100 | RETAINER PLATE | 1 | PC. |
| | 2 | | 318440-1 | RETAINER PLATE | 1 | PC. |
| 17 | | | 0119049980 | SOCKET HEAD BOLT M4X10 | 1 | PC. |
| 18 | | | 5922003000 | CRANK SHAFT ASS'Y | 1 | PC. |
| 19 | 1 | | 0440129960 | OIL SEAL (L) | 1 | PC. |
| | 2 | | 213147-3 | OIL SEAL 12 | 1 | PC. |
| 20 | 1 | | 0440109970 | OIL SEAL (S) | 1 | PC. |
| | 2 | | 213148-1 | OIL SEAL 10 | 1 | PC. |
| 21 | 1 | | 5421500500 | CLIP | 1 | PC. |
| | 2 | | 267400-9 | FLAT WASHER 23 | 1 | PC. |
| 22 | 1 | | 0130069940 | BOLT ASSEMBLY M6X16(WSW) | 1 | PC. |
| | 2 | | 265577-4 | HEX HEAD BOLT M6X16 | 1 | PC. |
| 23 | 1 | | 0323039990 | WOODRUFF KEY | 1 | PC. |
| | 2 | | 254040-2 | WOODRUFF KEY 3 | 1 | PC. |
| 24 | 1 | | 5232502600 | PISTON PIN | 1 | PC. |
| | 2 | | 257781-9 | PISTON PIN | 1 | PC. |
| 25 | 1 | | 5922500900 | PISTON | 1 | PC. |
| | 2 | | 318441-9 | PISTON | 1 | PC. |
| 26 | 1 | | 5922004000 | PISTON RING SET | 1 | PC. |
| | 2 | | 195145-8 | PISTON RING SET | 1 | PC. |
| 27 | 1 | | 0565089970 | CLIP | 2 | PC. |
| | 2 | | 233976-8 | CLIP | 2 | PC. |
| 28 | 1 | | 5922501000 | SHAFT | 1 | PC. |
| | 2 | | 326223-5 | SHAFT | 1 | PC. |
| 29 | | | 004-36061-60 | SCREW & WASHER ASS'Y | 2 | PC. |
| 30 | 1 | | 5933003000 | CAM GEAR ASS'Y | 1 | PC. |
| | 2 | | 125552-1 | CAM GEAR ASSEMBLY | 1 | PC. |
| 31 | 1 | | 5923500501 | CAM GEAR SHAFT | 1 | PC. |
| | 2 | | 268238-5 | PIN 5 | 1 | PC. |

| Item No. | Type | Sub | Part No. | Description | Qty | Unit |
|----------|------|------|--------------|---------------------------------------|-----|------|
| 32 | 1 | | 5923500001 | CAM LIFTER | 2 | PC. |
| | 2 | | 313169-4 | CAM LIFTER | 2 | PC. |
| 33 | 1 | | 5923500600 | CAM LIFTER SHAFT | 1 | PC. |
| | 2 | | 268239-3 | PIN 4 | 1 | PC. |
| 34 | 1 | | 5923501200 | VALVE SPRING | 2 | PC. |
| | 2 | | 234108-0 | COMPRESSION SPRING 9 | 2 | PC. |
| 35 | 1 | | 5923501300 | SPRING RETAINER | 2 | PC. |
| | 2 | | 325668-4 | SPRING RETAINER | 2 | PC. |
| 36 | 1 | | 5923501500 | INTAKE VALVE | 1 | PC. |
| | 2 | | 325670-7 | INTAKE VALVE | 1 | PC. |
| 37 | 1 | | 5923501400 | EXHAUST VALVE | 1 | PC. |
| | 2 | | 325669-2 | EXHAUST VALVE | 1 | PC. |
| 38 | 1 | | 5933500100 | ROCKER SHAFT | 1 | PC. |
| | 2 | | 256200-2 | PIN 5 | 1 | PC. |
| 39 | 1 | | 5923500700 | PUSH ROD | 2 | PC. |
| | 2 | | 256865-0 | ROD 2.5 | 2 | PC. |
| 40 | 1 | | 5933002000 | ROCKER ARM ASS'Y | 2 | PC. |
| | 2 | | 125554-7 | ROCKER ARM ASS'Y | 2 | PC. |
| 41 | 2 | | 5921501400 | SPACER | 2 | PC. |
| | 3 | | 424200-2 | SPACER | 2 | PC. |
| 42 | 1 | | 5923001000 | EXHAUST MUFFLER | 1 | PC. |
| | 2 | | 168469-5 | EXHAUST MUFFLER | 1 | PC. |
| 43 | 1 | | 5923008010 | SPARK ARRESTER | 1 | PC. |
| | 2 | | 5923008011 | SPARK ARRESTER | 1 | PC. |
| | 3 | | 324980-9 | SPARK ARRESTER | 1 | PC. |
| 44 | 1 | | 5923503400 | MUFFLER COVER | 1 | PC. |
| | 2 | | 345915-7 | MUFFLER COVER | 1 | PC. |
| 45 | 1 | | 5923501601 | MUFFLER GASKET | 1 | PC. |
| | 2 | | 345916-5 | MUFFLER GASKET | 1 | PC. |
| 46 | | | 014-00599-62 | SCREW M5X6 | 1 | PC. |
| 47 | 1 | | 0119059520 | SOCKET HEAD BOLT M5X40 | 2 | PC. |
| | 2 | | 266440-4 | HEX SOCKET HEAD BOLT M5X40 | 2 | PC. |
| 48 | 1 | | 5923005001 | * INSULATOR COMPLETE | 1 | PC. |
| | 2 | | 5923005002 | * INSULATOR COMPLETE | 1 | PC. |
| | | INC. | | * Item No. 51,57 | | |
| | 3 | | 5923016000 | * INSULATOR COMPLETE | 1 | PC. |
| | 4 | | 450559-1 | * INSULATOR | 1 | |
| 49 | 1 | | 5923501801 | * INSULATOR GASKET (Remain Available) | 1 | PC. |
| | 2 | | 5923504700 | * INSULATOR GASKET | 1 | PC. |
| | 3 | | 413120-5 | * INSULATOR GASKET | 1 | PC. |
| 50 | 1 | | 5923504000 | CARBURETOR GASKET | 1 | PC. |
| | 2 | | 413121-3 | CARBURETOR GASKET | 1 | PC. |
| 51 | | | 002-27050-00 | * NUT M5 (OLD 0021705000) - OLD | 2 | PC. |
| 52 | 1 | | 5921500900 | BREATHER PIPE | 1 | PC. |
| | 2 | | 422041-0 | BREATHER PIPE | 1 | PC. |
| 53 | 1 | | 0561080010 | HOSE CLAMP | 1 | PC. |
| | 2 | | 345918-1 | HOSE CLAMP | 1 | PC. |
| 54 | 1 | | 5926501300 | CLAMP | 1 | PC. |
| | 2 | | 450562-2 | CLAMP | 1 | PC. |
| 55 | 1 | | 0149069972 | ADJUST SCREW | 1 | PC. |
| | 2 | | 325934-9 | ADJUST SCREW | 1 | PC. |
| 56 | | | 002-27060-00 | * NUT M6 | 1 | PC. |
| 57 | | | 002-27060-00 | * NUT M6 - OLD | 1 | PC. |
| 58 | | | 5923004003 | CLEANER PLATE | 1 | PC. |
| | | INC. | | Item No. 59,61,65-69,71,74,75 | | |
| 59 | | | 5923006002 | AIR CLEANER PLATE COMPLETE | 1 | PC. |
| 60 | | | 5923502700 | AIR CLEANER COVER | 1 | PC. |
| 61 | | | 5923503200 | AIR CLEANER ELEMENT | 1 | PC. |
| 62 | 1 | | 5923503100 | SCREW M5X68 (WSW SUS) | 2 | PC. |
| | 2 | | 265188-5 | +PAN HEAD SCREW M5X68 | 2 | PC. |
| 63 | 1 | | 0140059480 | SCREW ASS'Y M5X14 | 1 | PC. |

| Item No. | Type | Sub | Part No. | Description | Qty | Unit |
|----------|------|------|------------|---|-----|------|
| | | | 266809-2 | P.H.SCREW M5X14 WITH WR | 1 | PC. |
| 64 | 1 | | 5923502600 | PLATE | 1 | PC. |
| | 2 | | 345919-9 | PLATE | 1 | PC. |
| 65 | 1 | | 5316500701 | CHECK VALVE | 1 | PC. |
| | 2 | | 424315-5 | CHECK VALVE | 1 | PC. |
| 66 | 1 | | 5923502400 | CHECK VALVE (1) | 1 | PC. |
| | 2 | | 424316-3 | CHECK VALVE | 1 | PC. |
| 67 | 1 | | 5923502500 | CHECK VALVE PLATE | 1 | PC. |
| | 2 | | 451924-7 | CHECK VALVE PLATE | 1 | PC. |
| 68 | 1 | | 5933501600 | SEPARATOR PLATE | 1 | PC. |
| | 2 | | 168576-4 | SEPARATOR PLATE | 1 | PC. |
| 69 | 1 | | 5923503500 | GASKET SEPARATOR | 1 | PC. |
| | 2 | | 168577-2 | SEPARATOR GASKET | 1 | PC. |
| 70 | 1 | | 5923503001 | PIPE | 1 | PC. |
| | 2 | | 422042-8 | PIPE | 1 | PC. |
| 71 | 1 | | 5923502200 | CHOKE LEVER | 1 | PC. |
| | 2 | | 451925-5 | CHOKE LEVER | 1 | PC. |
| 72 | 1 | | 5923502301 | CHOKE PLATE | 1 | PC. |
| | 2 | | 450560-6 | CHOKE PLATE | 1 | PC. |
| 73 | 1 | | 0213069990 | GASKET | 1 | PC. |
| | 2 | | 423376-2 | GASKET | 1 | PC. |
| 74 | 1 | | 0240139970 | O RING P14 | 1 | PC. |
| | 2 | | 213539-6 | O RING 14 | 1 | PC. |
| 75 | 1 | | 0240159990 | O RING P15 | 1 | PC. |
| | 2 | | 213540-1 | O RING 15 | 1 | PC. |
| 76 | 1 | | 6255008000 | CONTROL LEVER | 1 | PC. |
| | 2 | | 125477-9 | CONTROL LEVER | 1 | PC. |
| 77 | | | 0630049861 | CONTROL CABLE | 1 | PC. |
| 78 | 1 | | 5925003000 | HOUSINGBLOWER CP | 1 | PC. |
| | 2 | | 141766-4 | BLOWER HOUSING COM. | 1 | PC. |
| 79 | | | 5929503400 | LABELMODEL | 1 | PC. |
| 80 | | | 0736389961 | CAUTION LABEL | 1 | PC. |
| 81 | | | 0736289991 | CAUTION LABEL | 1 | PC. |
| 82 | 1 | | 0140059350 | SCREW ASS'Y M5X18(WSW) | 3 | PC. |
| | 2 | | 266699-3 | PAN HEAD SCREW M5X18 | 3 | PC. |
| 83 | | | 5923502000 | * CARBURETOR INSULATOR - OLD (Remain Available) | 1 | PC. |
| 84 | 1 | | 0043605180 | SCREW ASS'Y M5X18 (Remain Available) | 2 | PC. |
| | 2 | | 0119059870 | SOCKET HEAD BOLT M5X18 | 2 | PC. |
| | 3 | | 266787-6 | H.S.H.BOLT M5X18 WITH WR | 2 | PC. |
| 85 | 1 | | 0140059370 | SCREW ASS'Y M5X12 | 1 | PC. |
| | 2 | | 0119059780 | SOCKET HEAD BOLT M5X12 | 1 | PC. |
| 86 | | | 5925500700 | CYLINDER COVER | 1 | PC. |
| 87 | 1 | | 5927500000 | PLUG COVER | 1 | PC. |
| | 2 | | 450568-0 | PLUG COVER | 1 | PC. |
| 88 | 1 | | 0140059370 | SCREW ASS'Y M5X12 | 2 | PC. |
| | 2 | | 266808-4 | P.H.SCREW M5X12 W/WR | 2 | PC. |
| 89 | | | 0140049770 | SCREW ASSY M4X16(WSW) | 2 | PC. |
| 90 | | | 0140049770 | SCREW ASSY M4X16(WSW) | 2 | PC. |
| 91 | 1 | | 5925001002 | STARTER COVER ASS'Y | 1 | PC. |
| | | INC. | | Item No. 92-99 | | |
| | 2 | | 125917-7 | STARTER COVER ASSY | 1 | PC. |
| | | INC. | | Item No. 92-99 | | |
| 92 | 1 | | 5215002030 | SPIRAL SPRING | 1 | PC. |
| | 2 | | 232258-5 | SPIRAL SPRING | 1 | PC. |
| 93 | 1 | | 5925001030 | REEL | 1 | PC. |
| | 2 | | 451937-8 | REEL | 1 | PC. |
| 94 | 1 | | 5925001050 | STARTER ROPE | 1 | PC. |
| | 2 | | 444019-3 | STARTER ROPE | 1 | PC. |
| 95 | 1 | | 5225004020 | HANDLE | 1 | PC. |
| | 2 | | 424319-7 | STARTER KNOB | 1 | PC. |
| 96 | 1 | | 5195002100 | SWING ARM | 1 | PC. |

| Item No. | Type | Sub | Part No. | Description | Qty | Unit |
|----------|------|------|------------|--|-----|------|
| | | | 325923-4 | SWING ARM | 1 | PC. |
| 97 | 1 | | 5195002110 | COLLAR | 1 | PC. |
| | 2 | | 451938-6 | COLLAR | 1 | PC. |
| 98 | 1 | | 5195500000 | PULLEY | 1 | PC. |
| | 2 | | 168483-1 | PULLEY | 1 | PC. |
| 99 | 1 | | 5195002060 | SET SCREW | 1 | PC. |
| | 2 | | 266585-8 | TAPPING SCREW 5X12 | 1 | PC. |
| 100 | 3 | | 454004-8 | FUEL TANK, FLOURIDIZED (OLD# 5926500400) | 1 | PC. |
| 101 | 1 | | 5926017000 | FUEL TANK CAP ASSY | 1 | PC. |
| | 2 | | 125472-9 | FUEL TANK CAP ASSEMBLY | 1 | PC. |
| 102 | 1 | | 5236503900 | FILTER | 1 | PC. |
| | 2 | | 163447-0 | GASOLINE FILTER | 1 | PC. |
| | 3 | | 168770-8 | TUBE COMPLETE (OLD# 168472-6) | 1 | PC. |
| 104 | 1 | | 0561059990 | HOSE CLAMP | 1 | PC. |
| | 2 | | 345920-4 | HOSE CLAMP | 1 | PC. |
| 105 | 1 | | 5036500200 | PLATE | 1 | PC. |
| | 2 | | 424102-2 | PLATE | 1 | PC. |
| 106 | 1 | | 5036500300 | PLATE | 1 | PC. |
| | 2 | | 424103-0 | PLATE | 1 | PC. |
| 107 | 1 | | 5196500302 | DAMPER | 1 | PC. |
| | 2 | | 424104-8 | DAMPER | 1 | PC. |
| 108 | 1 | | 5926011000 | CARBURETOR | 1 | PC. |
| | | INC. | | Item No. 109-127 | | |
| | 2 | | 168781-3 | CARBURETOR | 1 | PC. |
| | | INC. | | Item No. 109-127 | | |
| 109 | 1 | | 5016004010 | INLET SCREEN | 1 | PC. |
| | 2 | | 352010-6 | INLET SCREEN | 1 | PC. |
| 110 | 1 | | 5236046050 | PRIMER PUMP COVER | 1 | PC. |
| | 2 | | 346270-0 | PRIMER PUMP COVER | 1 | PC. |
| 111 | | | 5926002010 | THROTTLE VALVE ASS'Y | 1 | PC. |
| 112 | | | 5926002110 | JET | 1 | PC. |
| 113 | 1 | | 5926002040 | PUMP GASKET | 1 | PC. |
| | 2 | | 442155-9 | PUMP GASKET | 1 | PC. |
| 114 | 1 | | 5236046040 | METERING DIAPHRAGM GASKET | 1 | PC. |
| | 2 | | 442154-1 | METERING DIAPHRAGM GASKET | 1 | PC. |
| 115 | 1 | | 5246001040 | PUMP DIAPHRAGM | 1 | PC. |
| | 2 | | 168575-6 | PUMP DIAPHRAGM | 1 | PC. |
| 116 | 1 | | 5926008010 | METERING DIAPHRAGM ASS'Y | 1 | PC. |
| | 2 | | 168574-8 | METERING DIAPHRAGM | 1 | PC. |
| 117 | 1 | | 5236046010 | PUMP COVER SCREW | 4 | PC. |
| | 2 | | 266582-4 | TAPPING SCREW 3X24 | 4 | PC. |

| Item No. | Type | Sub | Part No. | Description | Qty | Unit |
|----------|------|------|--------------|--------------------------------|-----|------|
| 118 | 1 | | 5926002020 | PUMP SPRING | 1 | PC. |
| | 2 | | 234183-6 | CONICAL COMPRESSION SPRING 5-9 | 1 | PC. |
| 119 | 1 | | 5206008030 | PAN HEAD SCREW | 2 | PC. |
| | 2 | | 266581-6 | PAN HEAD SCREW M3X8 WITH W | 2 | PC. |
| 120 | 1 | | 5206008110 | PLUG | 1 | PC. |
| | 2 | | 424439-7 | PLUG CUP | 1 | PC. |
| 121 | 1 | | 5236018040 | SWIVEL | 1 | PC. |
| | 2 | | 325922-6 | SWIVEL | 1 | PC. |
| 122 | 1 | | 5316005120 | RING | 1 | PC. |
| | 2 | | 257964-1 | STOP RING E-3 | 1 | PC. |
| 123 | 1 | | 5426005030 | WASHER | 1 | PC. |
| | 2 | | 413140-9 | WASHER | 1 | PC. |
| 124 | 1 | | 5926002140 | PUMP BODY ASS'Y | 1 | PC. |
| | | INC. | | Item No. 109 | | |
| | 2 | | 140437-0 | PUMP BODY | 1 | PC. |
| | | INC. | | Item No. 109 | | |
| 125 | 1 | | 5236046140 | AIR PURGE BODY ASS'Y | 1 | PC. |
| | 2 | | 140438-8 | AIR PURGE BODY | 1 | PC. |
| 126 | 1 | | 5246001150 | PRIMER PUMP | 1 | PC. |
| | 2 | | 424314-7 | PRIMER PUMP | 1 | PC. |
| 127 | 1 | | 5246001010 | O RING | 1 | PC. |
| | 2 | | 213538-8 | O RING 2 | 1 | PC. |
| 128 | 1 | | 5927500200 | FLYWHEEL | 1 | PC. |
| | 2 | | 318702-7 | FLYWHEEL | 1 | PC. |
| 129 | 1 | | 5927012010 | IGNITION COIL | 1 | PC. |
| | 2 | | 5927012011 | IGNITION COIL | 1 | PC. |
| | 3 | | 168501-5 | IGNITION COIL | 1 | PC. |
| 130 | | | 0043704200 | SCREW ASS'Y M4X20 | 2 | PC. |
| 131 | 1 | | 5927002000 | STOP SWITCH ASSEMBLY | 1 | PC. |
| | 2 | | 126240-3 | STOP SWITCH ASSEMBLY | 1 | PC. |
| 132 | 1 | | 0654009931 | PLUG CAP SPRING | 1 | PC. |
| | 2 | | 324891-8 | PLUG CAP SPRING | 1 | PC. |
| 133 | | | 0650109950 | SPARK PLUG CMR6A | 1 | PC. |
| 134 | 1 | | 5927500100 | PLUG CAP | 1 | PC. |
| | 2 | | 424105-6 | PLUG CAP | 1 | PC. |
| 135 | | | 4811000006 | CASING | 1 | PC. |
| 136 | | | 4811000005 | O-RING | 1 | PC. |
| 137 | | | 4811000004 | INNER CASING | 1 | PC. |
| 138 | | | 4811000003 | IMPELLER | 1 | PC. |
| 139 | | | 480-02510-10 | MECHANICAL SEAL | 1 | PC. |
| 140 | | | 4811000002 | O-RING | 1 | PC. |
| 141 | | | 480-05010-21 | PLUG | 1 | PC. |
| 142 | | | 480-05010-22 | O RING | 1 | PC. |
| 143 | | | 4810000186 | HEX.BOLT | 4 | PC. |
| 144 | | | 4811000001 | CASING COVER | 1 | PC. |
| 145 | | | 480-02510-05 | SCREW | 4 | PC. |
| 146 | | | 480-02510-08 | WASHER 5 | 4 | PC. |
| 147 | | | 4811000009 | VALVE CASE | 1 | PC. |
| 148 | | | 4810000187 | HEX.BOLT | 3 | PC. |
| 149 | | | 4811000008 | CHECK VALVE | 1 | PC. |
| 150 | | | 480-02510-17 | COUPLING PACKING | 2 | PC. |
| 151 | | | 4800251018 | HOSE COUPLING | 2 | PC. |
| 152 | | | 4800251016 | COUPLINGHANDLE | 2 | PC. |
| 153 | | | 481-10000-10 | PLUG AY | 1 | PC. |
| | | INC. | | Item No. 154 | | |
| 154 | | | 4811000005 | O-RING | 1 | PC. |
| 155 | | | 480-02550-29 | STRAINER | 1 | PC. |
| 156 | | | 480-02510-28 | HOSE BAND | 3 | PC. |
| 157 | | | 4811000011 | PIPE BASE | 1 | PC. |
| 158 | | | 4811000007 | CARRING HANDLE | 1 | PC. |
| 159 | | | 4800253031 | RUBBER | 4 | PC. |

| Item No. | Type | Sub | Part No. | Description | Qty | Unit |
|---------------------------|------|-----|------------|--|-----|------|
| 160 | | | 4830000303 | LABEL(PUMP NAME) | 1 | PC. |
| 161 | 1 | | 5923504600 | * INTAKE PIPE (Added) | 1 | PC. |
| | 2 | | 324961-3 | * INTAKE PIPE | 1 | PC. |
| 162 | 1 | | 0062610101 | * O RING (Added) (Same as 213078-6 per MJ) | 1 | PC. |
| | 2 | | 213078-6 | * O RING | 1 | PC. |
| <u>ACCESSORIES</u> | | | | | | |
| A01 | 1 | | 5929002000 | TOOL | 1 | PC. |
| | 2 | | 196134-6 | TOOL SET | 1 | PC. |
| A02 | 1 | | 0722105000 | OIL BOTTLE | 1 | PC. |
| | 2 | | 242072-1 | OIL BOTTLE | 1 | PC. |
| A03 | | | 123048-A | SUCTION HOSE 1"X20' | 1 | PC. |
| A04 | | | 123049-A | DISCHARGE HOSE 1"X25' | 1 | PC. |
| | | | 128049-A | DISCHARGE HOSE 1"X50' | 1 | PC. |