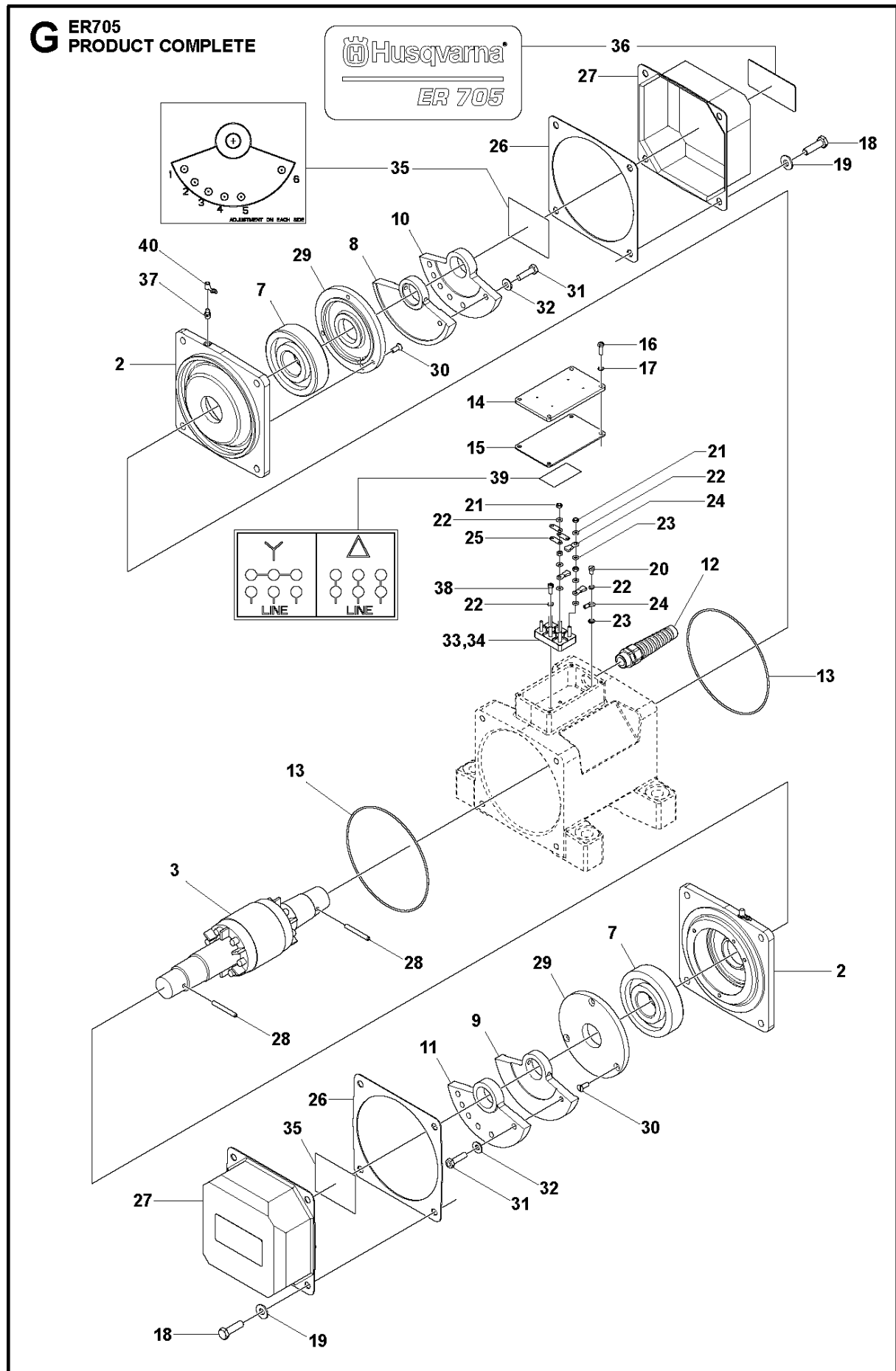




# SPARE PARTS LIST

## EXTERNAL VIBRATORS

ER105, ER205, ER305, ER405, ER605,  
ER705, 2022-01



Ref	Part No	Description	Remark	QTY KIT
2	594 28 32-01	FLANGE		2
3	594 28 44-01	ROTOR		1
7	594 25 97-01	BEARING		2
8	594 28 42-01	EXCENTER		1
9	594 28 33-01	INNER PLATE		1
10	594 28 34-01	EXCENTER		1
11	594 28 43-01	EXCENTER		1
12	594 28 39-01	PISTON	BS 16	1
13	595 44 83-01	O-RING	158.42x2.62 NBR 70 Shore	2
14	594 28 21-01	COVER		1
15	594 28 22-01	SEAL		1
16	595 05 36-01	SCREW	M5x16 ISO 4014 8.8 A2K	4
17	594 27 35-01	SPRING WASHER	M5 DIN 6798A	4
18	594 11 86-01	SCREW	M10x30 ISO 4014 8.8 A2K	8
19	595 18 26-01	WASHER	M10 DIN 6796	8
20	595 44 97-01	SCREW	M5x8 ISO 1207 4.8	1
21	595 44 63-01	NUT	M5 ISO 4032 BRASS	12
22	594 83 32-01	WASHER	M5 DIN 6798A	9
23	595 18 24-01	WASHER	M5 ISO 7090 BRASS	16
24	595 44 55-01	SPADE		10
25	594 79 05-01	STRIP		3
26	594 28 45-01	SEALING		2
27	594 28 35-01	COVER		2
28	594 50 19-01	PIN		2
29	594 55 29-01	DEFLECTOR		2
30	595 18 06-01	SCREW	M6x16 ISO 2009 4.8	6
31	595 34 43-01	SCREW	M8x30 ISO 4017 8.8 A2K	2
32	595 11 36-01	WASHER	M8 ISO 10670	2
33	594 28 38-01	BLOCK	6 poles, for ER 705 230/400 V 50 Hz and ER 705 500 V 50 Hz	1
34	595 44 64-01	BOX	9 poles, for ER 705 500 V 60Hz and ER 705 600 V 60Hz	1
35	594 79 24-01	DECAL		2
36	599829001	TBD		2
37	594 12 68-01	LUBRICATION NIPPLE		2
38	595 18 05-01	SCREW	M5x16 ISO 1207 4.8 ZnB	2
39	595 45 45-01	CONNECTOR		1
40	595 17 91-01	PLUG		2