

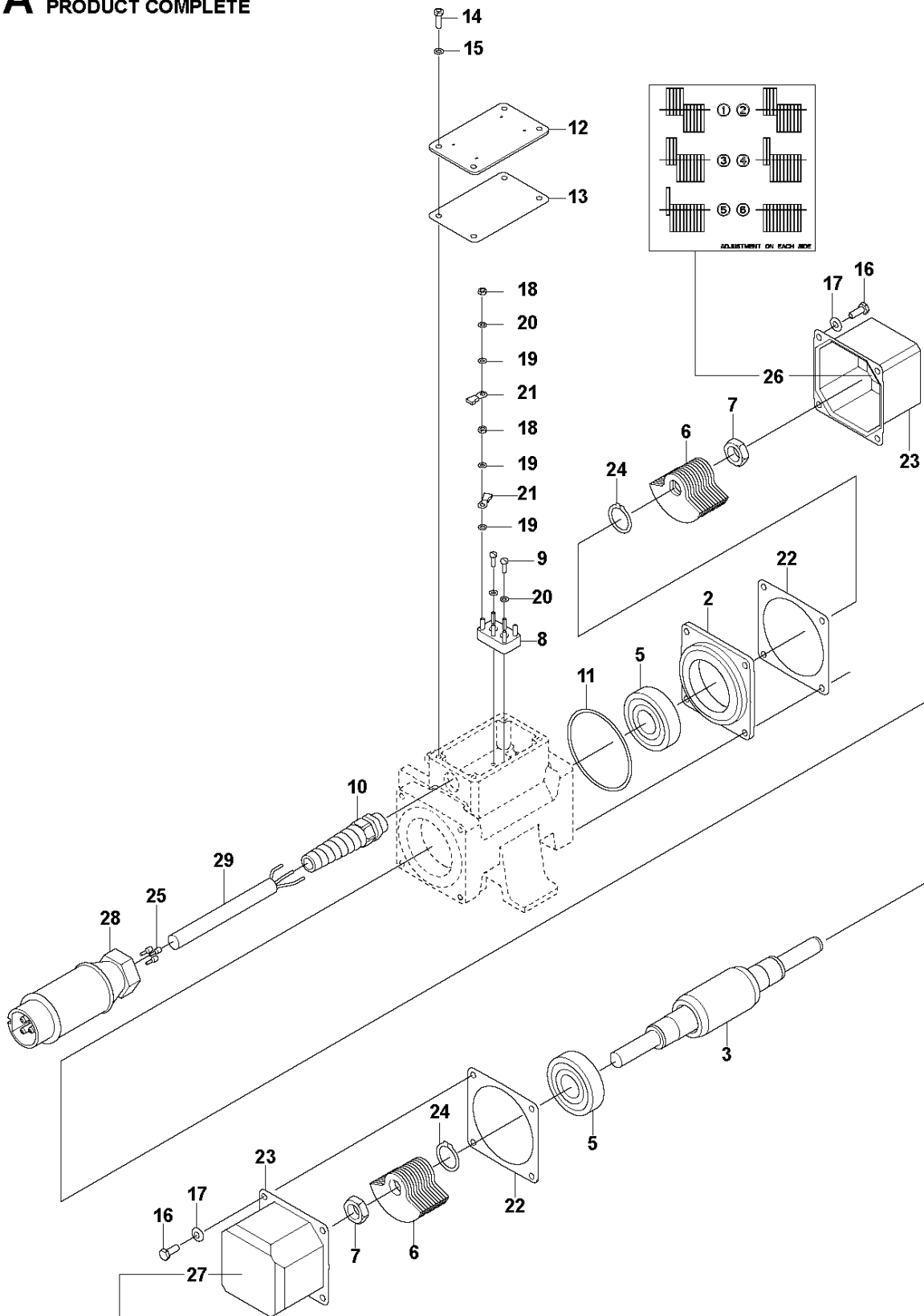


# SPARE PARTS LIST

EXTERNAL VIBRATORS

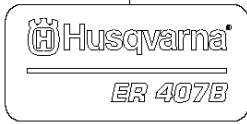
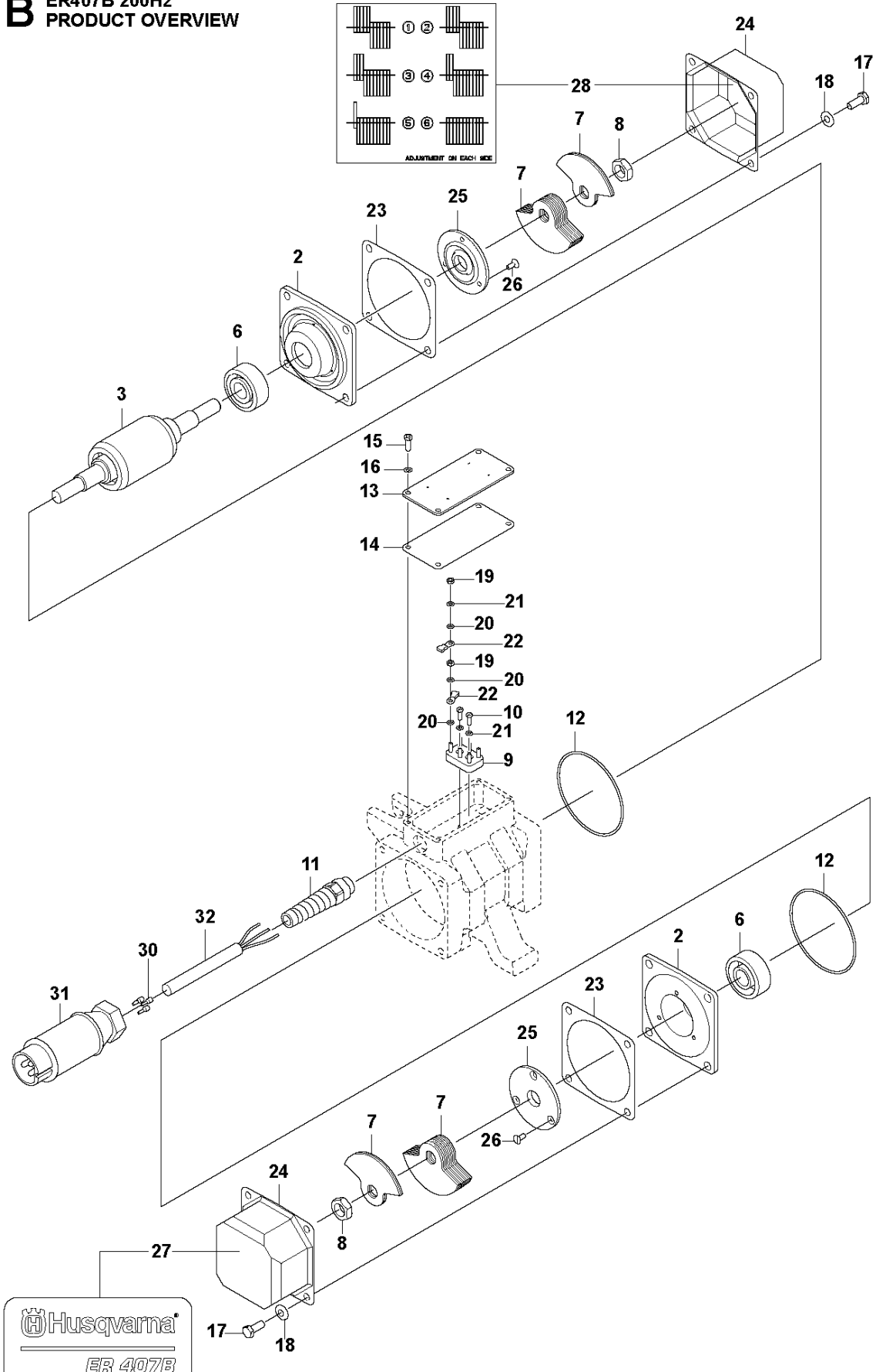
ER207B, ER407B, ER507B, 2021-10

**A** ER207B 200HZ  
PRODUCT COMPLETE



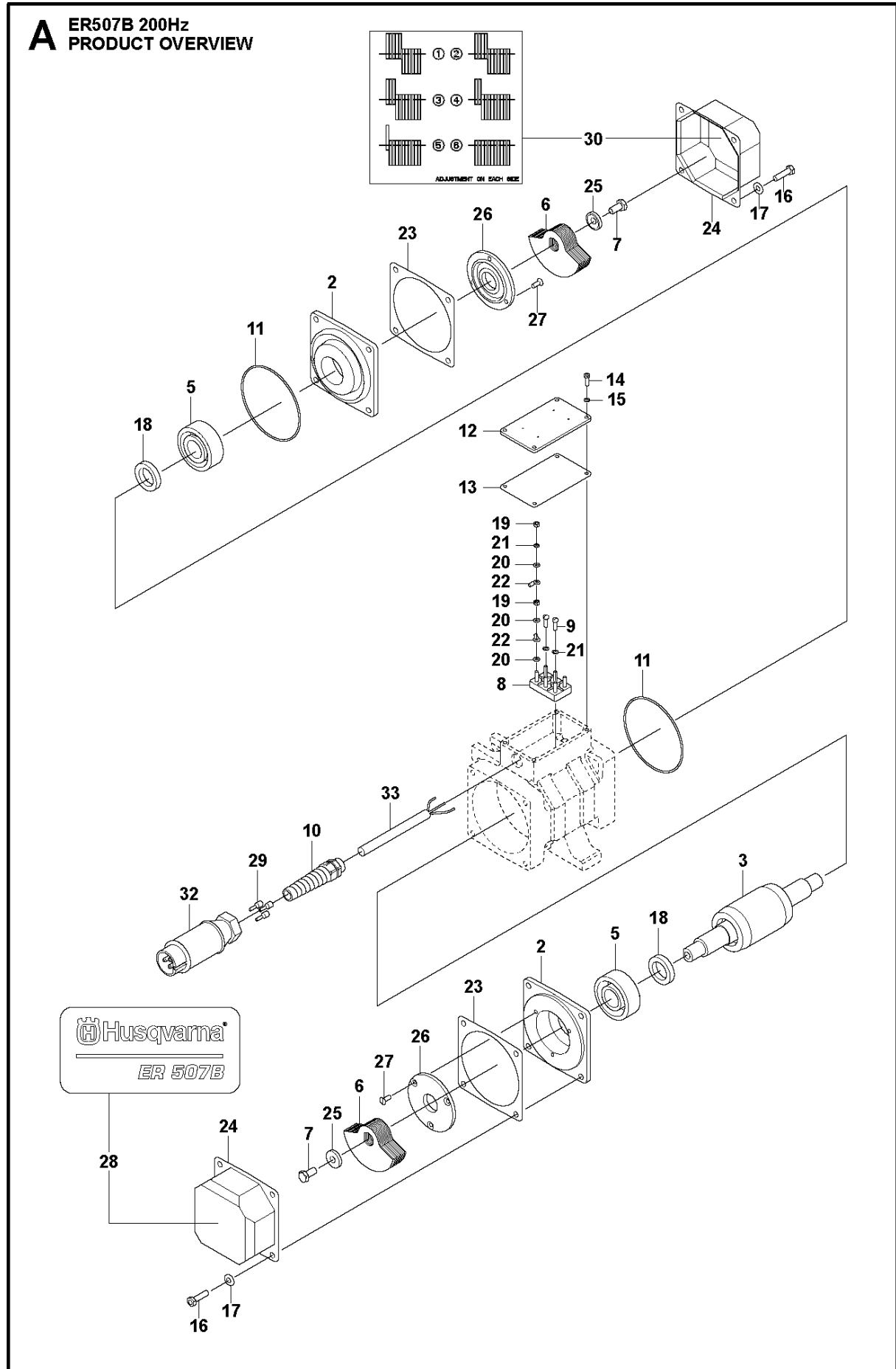
Ref	Part No	Description	Remark	QTY KIT
2	595 15 07-01	FLANGE		1
3	595 15 28-01	ROTOR		1
5	594 27 18-01	BALL BEARING	6305-ZZ/C3	2
6	595 45 11-01	EXCENTER		22
7	594 79 21-01	NUT	M16x1.5 ISO 4035 FZB	2
8	594 25 55-01	CONNECTING BOX		1
9	595 18 03-01	SCREW	M4x12 ISO1207 4.8 ZnB	2
10	594 79 22-01	NUT		1
11	595 14 55-01	O-RING	82.3x1.78 NBR 70 Shore	1
12	595 14 63-01	COVER		1
13	595 44 48-01	SEALING		1
14	595 05 36-01	SCREW	M5x16 ISO 4014 8.8 A2K	4
15	594 27 35-01	SPRING WASHER	M5 DIN 6798A Zn	4
16	595 03 32-01	SCREW	M6x16 ISO 4017 8.8 A2K	8
17	595 11 35-01	WASHER	M6 ISO 10670 FZB	8
18	594 79 11-01	NUT	M4 DIN 934 BRASS	6
19	595 18 25-01	WASHER	M4 ISO 7092 BRASS	9
20	595 18 23-01	WASHER	M4 DIN 6798A	5
21	594 85 36-01	UNIT		6
22	594 28 19-01	SEAL		2
23	594 28 18-01	COVER		2
24	594 12 47-01	RETAINER RING	D25 DIN 471	2
25	595 52 05-01	TERMINAL		3
26	594 28 47-01	DECAL		2
27	599 36 34-01	DECAL		2
28	594 60 47-01	PLUG		1
29	595 46 89-03	CABLE		1

**B** ER407B 200Hz  
PRODUCT OVERVIEW



Ref	Part No	Description	Remark	QTY KIT
2	595 15 22-01	FLANGE		2
3	595 44 78-01	ROTOR		1
6	594 79 23-01	BEARING	NJ 2304 ECP/C3	2
7	595 15 24-01	EXCENTER		22
8	594 79 21-01	NUT	M16x1.5 ISO 4035 FZB	2
9	594 25 55-01	CONNECTING BOX		1
10	595 18 03-01	SCREW	M4x12 ISO 1207 4.8 ZnB	2
11	594 79 22-01	NUT		1
12	595 14 77-01	O-RING	95x2.5 NBR 70 Shore	2
13	595 14 76-01	COVER		1
14	595 44 58-01	RING		1
15	595 05 36-01	SCREW	M5x16 ISO 4014 8.8 A2K	4
16	594 27 35-01	SPRING WASHER	M5 DIN 6798A	4
17	594 11 79-01	SCREW	M8x20 ISO 4017 8.8 A2K	8
18	595 11 36-01	WASHER	M8 ISO 10670	8
19	594 79 11-01	NUT	M4 ISO 4032 BRASS	6
20	595 18 25-01	WASHER	M4 ISO 7092 BRASS	9
21	595 18 23-01	WASHER	M4 DIN 6798A	5
22	594 85 36-01	UNIT		6
23	594 28 31-01	RING		2
24	594 28 30-01	COVER		2
25	595 15 23-01	DEFLECTOR		2
26	595 14 91-01	SCREW	M5x12 ISO 7047 Z 4.8 A2K	6
27	599 36 34-06	DECAL		2
28	594 28 47-01	DECAL		2
30	595 52 05-01	TERMINAL		3
31	594 60 47-01	PLUG		1
32	595 46 89-03	CABLE		1

**A** ER507B 200Hz  
PRODUCT OVERVIEW



## PRODUCT COMPLETE - ER507B

ER207B, ER407B, ER507B, 2021-10

Ref	Part No	Description	Remark	QTY KIT
2	595 15 25-01	FLANGE		2
3	595 44 77-01	ROTOR		1
5	595 44 65-01	BEARING	NJ 2306 ECP/C3	2
6	595 44 56-01	EXCENTER		22
7	594 11 84-01	SCREW	M10x20 ISO 4017 8.8 A3K	2
8	594 28 38-01	BLOCK		1
9	595 18 05-01	SCREW	M5x16 ISO 1207 4.8 ZnB	2
10	594 28 39-01	PISTON		1
11	595 04 75-01	O-RING		2
12	594 28 21-01	COVER		1
13	594 28 22-01	SEAL		1
14	595 05 36-01	SCREW	M5x16 ISO 4014 8.8 A2K	4
15	594 27 35-01	SPRING WASHER	M5 DIN 6798A	4
16	595 34 43-01	SCREW	M8x30 ISO 4017 8.8 A2K	8
17	595 11 36-01	WASHER	M8 ISO 10670	8
18	595 15 29-01	SPACER		2
19	595 44 63-01	NUT	M5 ISO 4032 BRASS	6
20	595 18 24-01	WASHER	M5 ISO 7090 BRASS	9
21	594 83 32-01	WASHER	M5 DIN 6798A	5
22	595 44 55-01	SPADE		6
23	595 15 10-01	SEALING		2
24	594 28 20-01	COVER		2
25	595 44 74-01	WASHER		2
26	595 18 98-01	COVER		2
27	595 18 06-01	SCREW	M6x16 ISO 2009 4.8	6
28	599 36 34-08	DECAL		2
29	595 52 05-01	TERMINAL		3
30	594 28 47-01	DECAL		2
32	594 60 47-01	PLUG		1
33	595 46 89-03	CABLE		1