

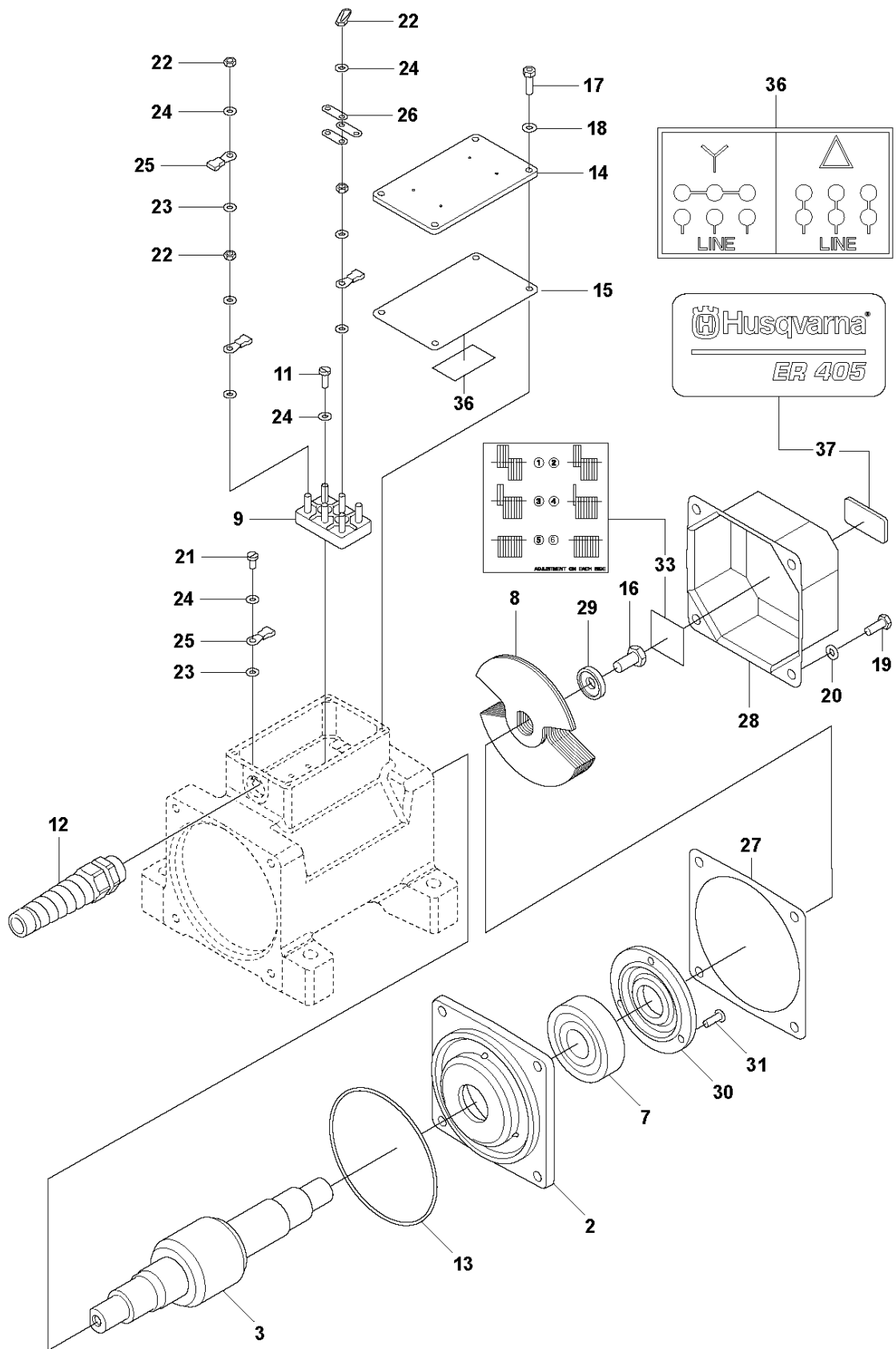


# SPARE PARTS LIST

## EXTERNAL VIBRATORS

ER105, ER205, ER305, ER405, ER605,  
ER705, 2022-01

**D** ER405  
PRODUCT COMPLETE



Ref	Part No	Description	Remark	QTY KIT
37	599 36 34-05	DECAL		2
2	595 15 09-01	FLANGE		2
3	595 44 75-01	ROTOR		1
7	595 14 22-01	BALL BEARING	6306/C3	2
8	595 15 11-01	EXCENTER		22
9	594 28 38-01	BLOCK		1
11	595 18 04-01	SCREW	M5x12 ISO 1207 4.8 ZnB	2
12	594 28 39-01	PISTON	BS 16	1
13	595 04 75-01	O-RING	120.32x2.62 NBR 70 Shore	2
14	594 28 21-01	COVER		1
15	594 28 22-01	SEAL		1
16	594 11 84-01	SCREW	M10x20 ISO 4017 8.8 A3K	2
17	595 05 36-01	SCREW	M5x16 ISO 4014 8.8 A2K	4
18	594 27 35-01	SPRING WASHER	M5 DIN 6798A	4
19	595 34 43-01	SCREW	M8x30 ISO 4017 8.8 A2K	8
20	595 11 36-01	WASHER	M8 ISO 10670	8
21	595 44 97-01	SCREW	M5x8 ISO 1207 4.8	1
22	595 44 63-01	NUT	M5 ISO 4032 BRASS	12
23	595 18 24-01	WASHER	M5 ISO 7090 BRASS	16
24	594 83 32-01	WASHER	M5 DIN 6798A	9
25	595 44 55-01	SPADE		10
26	594 79 05-01	STRIP		3
27	595 15 10-01	SEALING		2
28	594 28 20-01	COVER		2
29	595 44 74-01	WASHER		2
30	595 18 98-01	COVER		2
31	595 18 06-01	SCREW	M6x16 ISO 2009 4.8	6
33	594 28 47-01	DECAL		2
36	595 45 45-01	CONNECTOR		1