

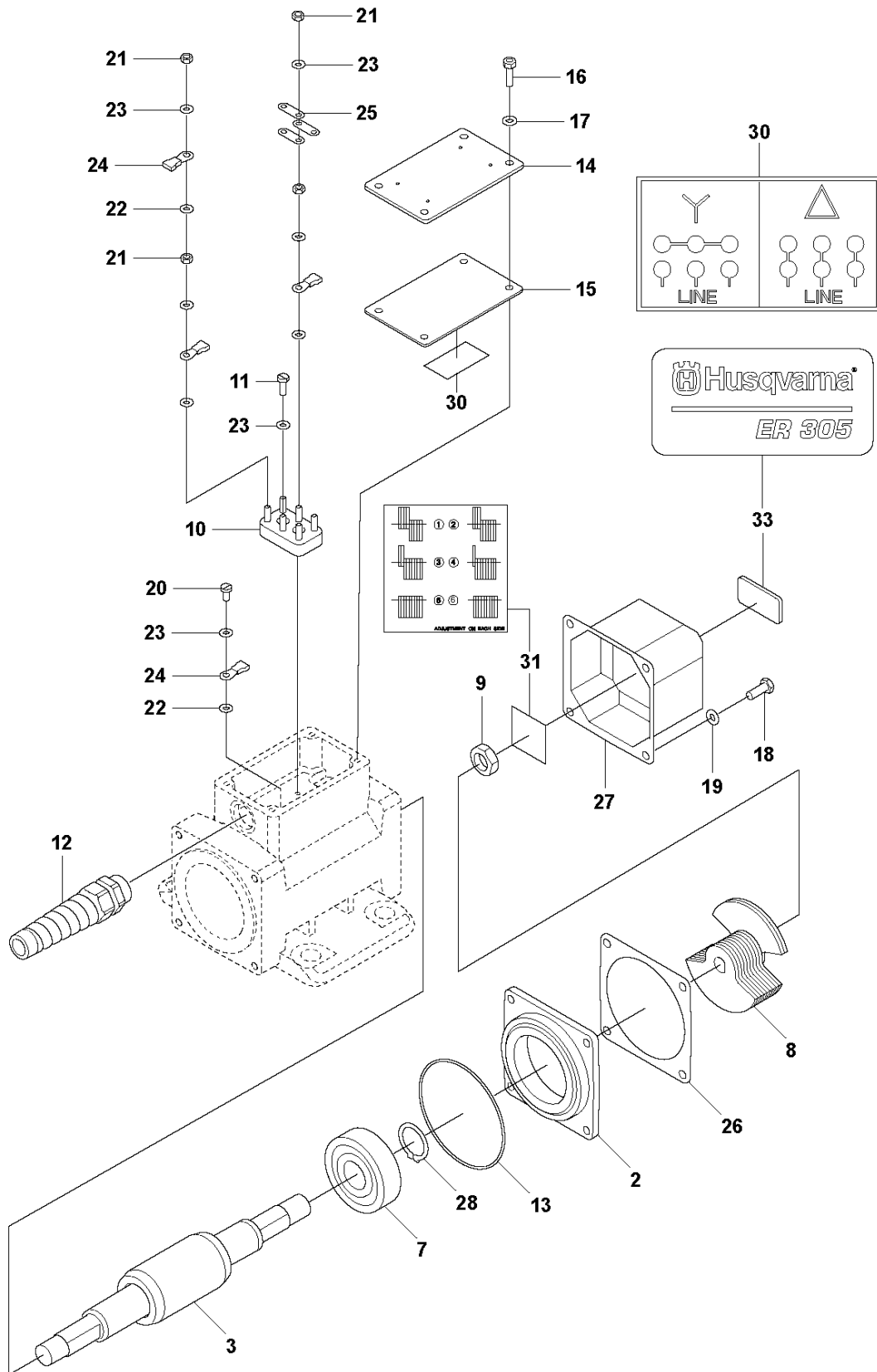


SPARE PARTS LIST

EXTERNAL VIBRATORS

ER105, ER205, ER305, ER405, ER605,
ER705, 2022-01

C ER305
PRODUCT COMPLETE



Ref	Part No	Description	Remark	QTY KIT
2	595 15 07-01	FLANGE		1
3	594 28 36-01	ROTOR		1
7	594 27 18-01	BALL BEARING	6305-ZZ/C3	2
8	595 15 08-01	EXCENTER		22
9	594 79 21-01	NUT	M16x1.5 ISO 4035 FZB	2
10	594 25 55-01	CONNECTING BOX		1
11	595 18 03-01	SCREW	M4x12 ISO 1207 4.8 ZnB	2
12	594 79 22-01	NUT	BS 13.5	1
13	595 14 55-01	O-RING	82.3x1.78 NBR 70 Shore	1
14	595 14 63-01	COVER		1
15	595 44 48-01	SEALING		1
16	595 05 36-01	SCREW	M5x16 ISO 4014 8.8 A2K	4
17	594 27 35-01	SPRING WASHER	M5 DIN 6798A	4
18	595 03 32-01	SCREW	M6x16 ISO 4017 8.8 A2K	8
19	595 11 35-01	WASHER	M6 ISO 10670 FZB	8
20	595 05 90-01	SCREW	M4x8 ISO 1207 4.8	1
21	594 79 11-01	NUT	M4 ISO 4032 BRASS	12
22	595 18 25-01	WASHER	M4 ISO 7092 BRASS	16
23	595 18 23-01	WASHER	M4 DIN 6798A	9
24	594 85 36-01	UNIT		10
25	595 44 66-01	STRIP		3
26	594 28 19-01	SEAL		2
27	594 28 18-01	COVER		2
28	594 12 47-01	RETAINER RING	D25 DIN 471	2
30	595 45 45-01	CONNECTOR		1
31	594 28 47-01	DECAL		2
33	599 36 34-02	DECAL		2