

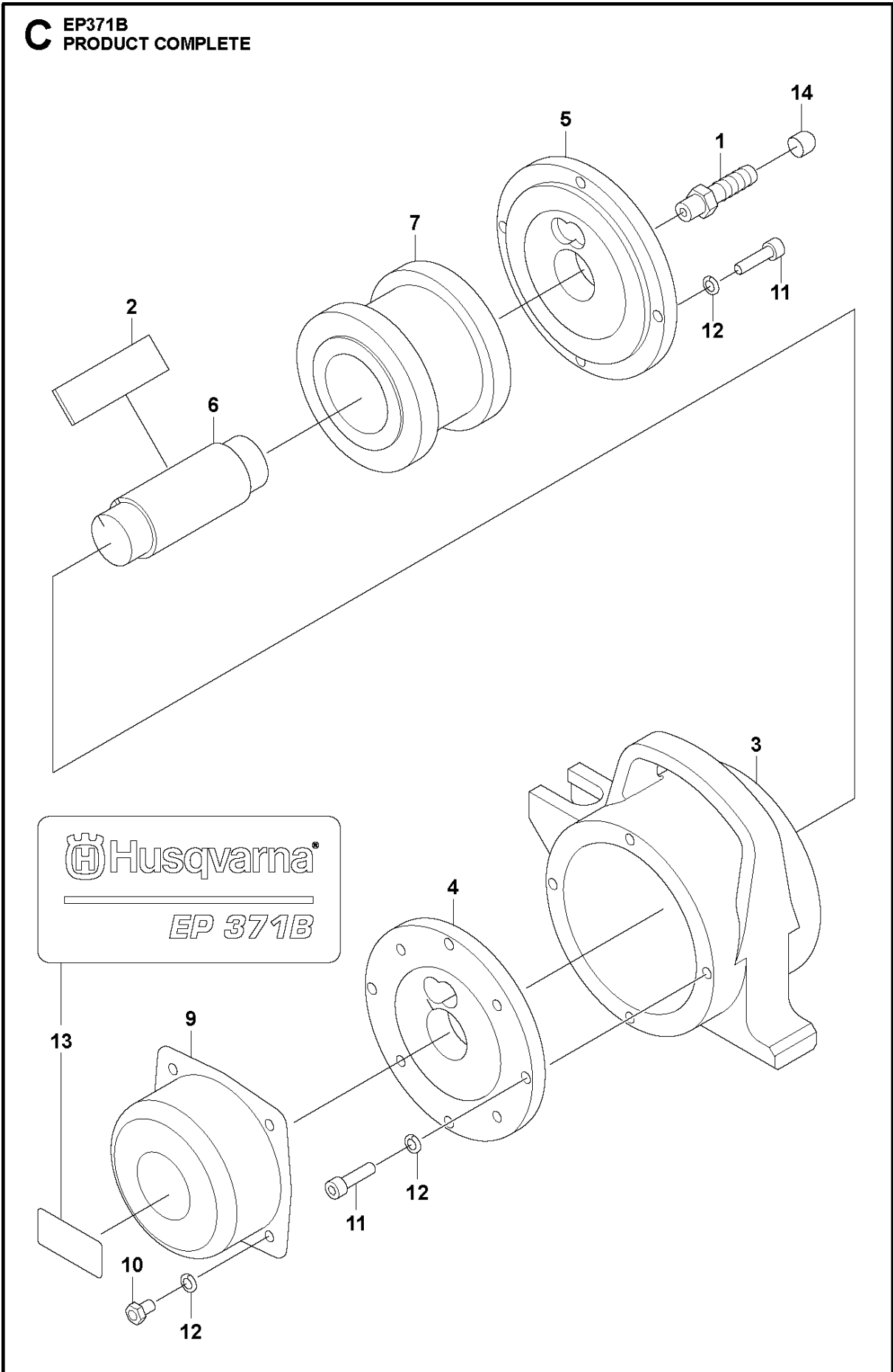


SPARE PARTS LIST

EXTERNAL VIBRATORS

EP121B, EP271B, EP371B, EP601B,
2021-09

C EP371B
PRODUCT COMPLETE



PRODUCT COMPLETE - EP371B

EP121B, EP271B, EP371B, EP601B, 2021-09

Ref	Part No	Description	Remark	QTY KIT
1	594 25 66-01	NIPPLE		1
2	594 27 28-01	DISC		1
3	595 14 80-01	BODY		1
4	595 14 81-01	FLANGE		1
5	595 14 82-01	FLANGE		1
6	595 14 83-01	AXLE		2
7	595 44 59-01	ROTOR		1
9	594 28 06-01	COVER		1
10	596 88 97-07	SCREW	M8x12 ISO4017 8.8 A2K	4
11	595 17 97-01	SCREW	M8x30 ISO4762 12.9 A2K	8
12	595 06 13-01	WASHER	M8 DIN127B	12
13	599 36 34-03	DECAL		1
14	595 45 05-01	PLUG		1