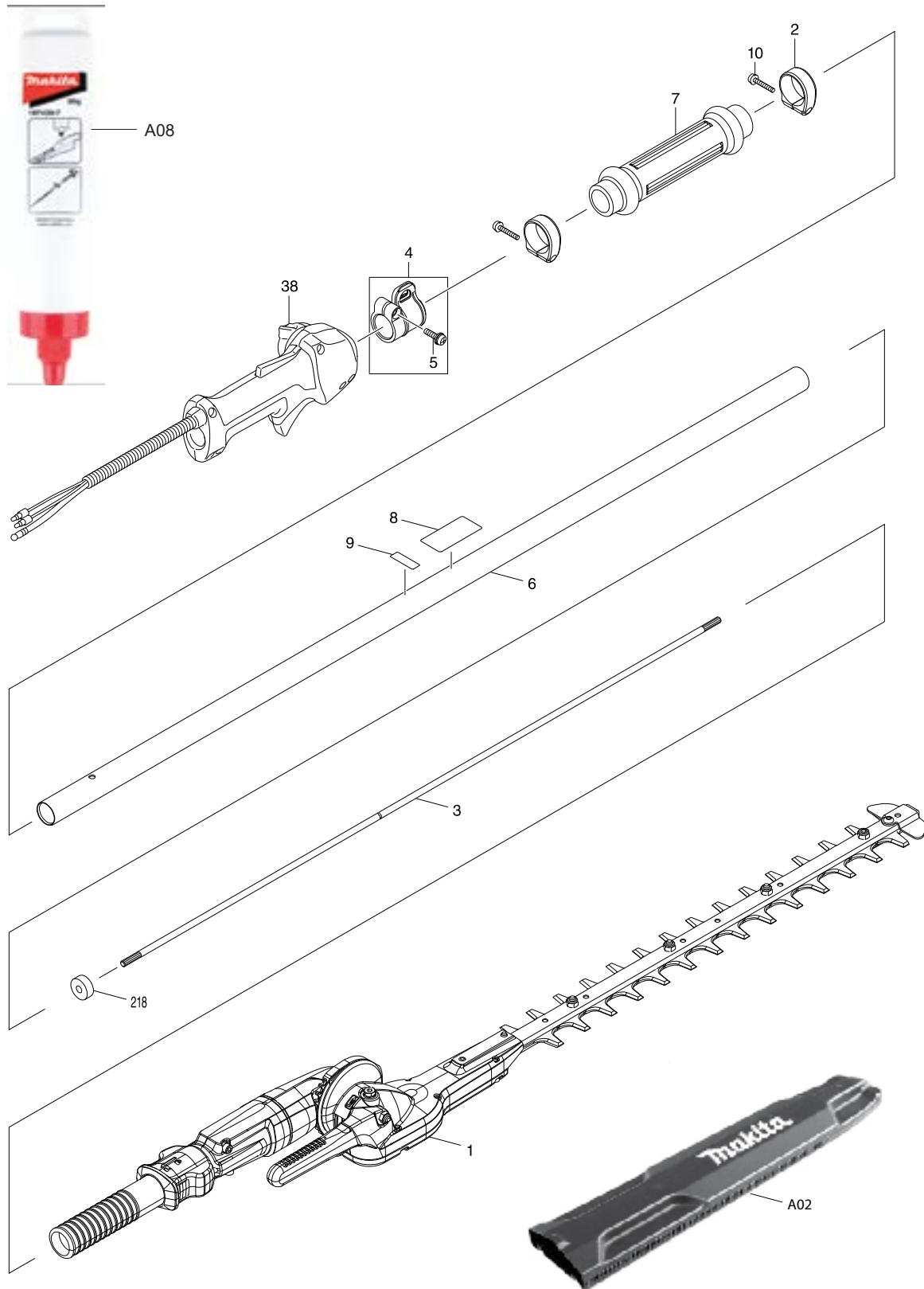


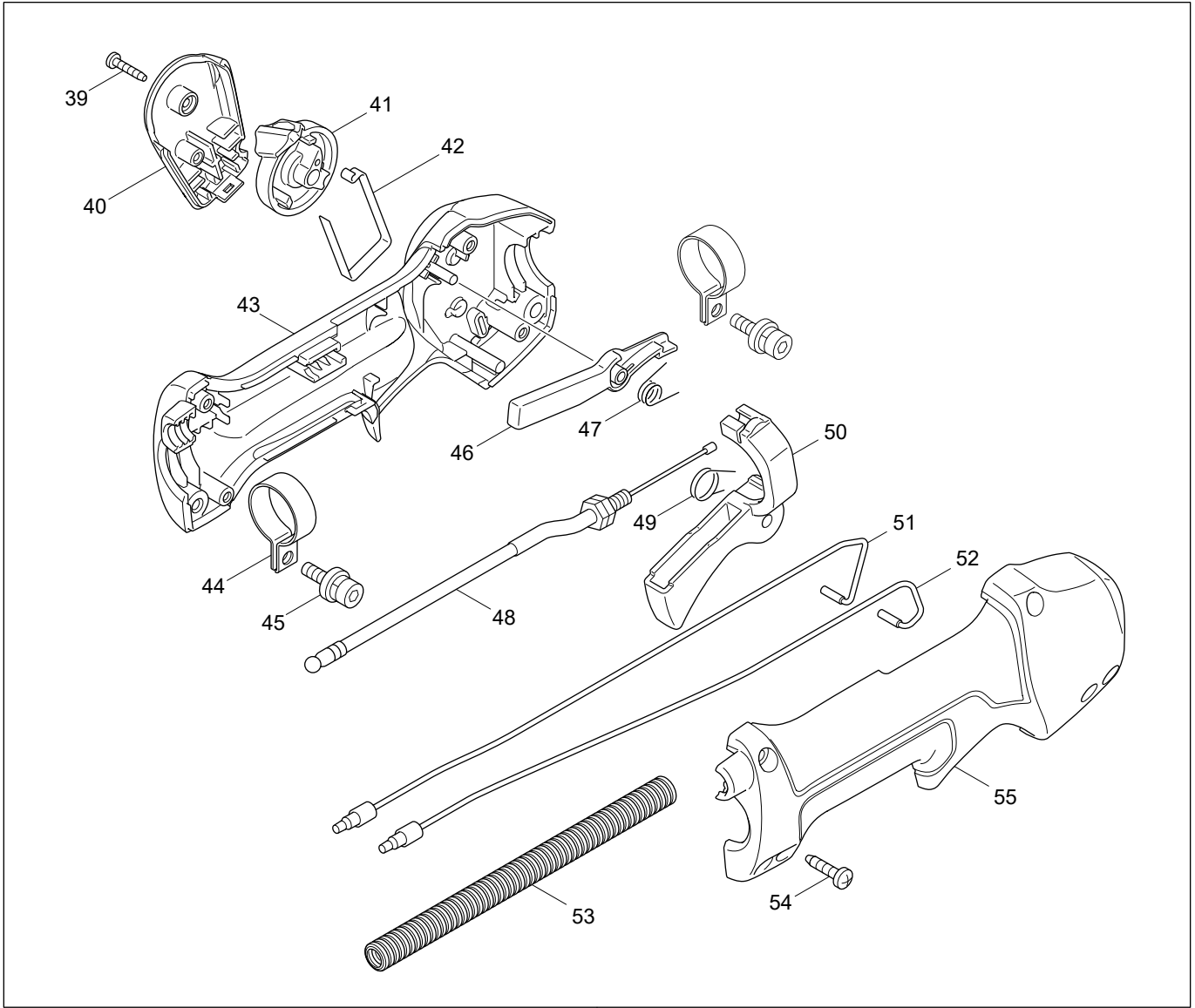


**EN4951SH**



Products with multiple versions are listed in subsiding order with the newest version on top not indented.

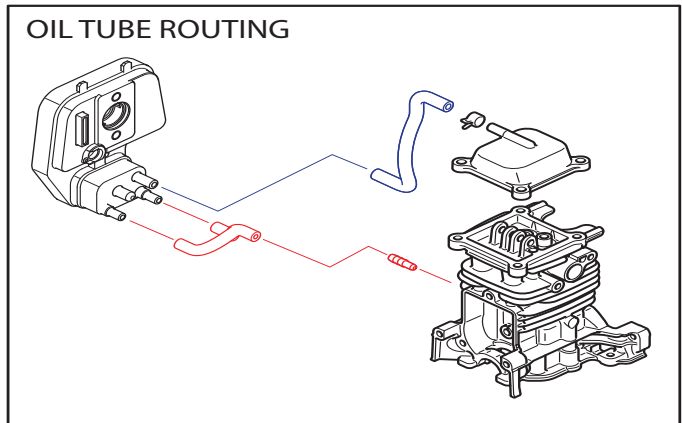
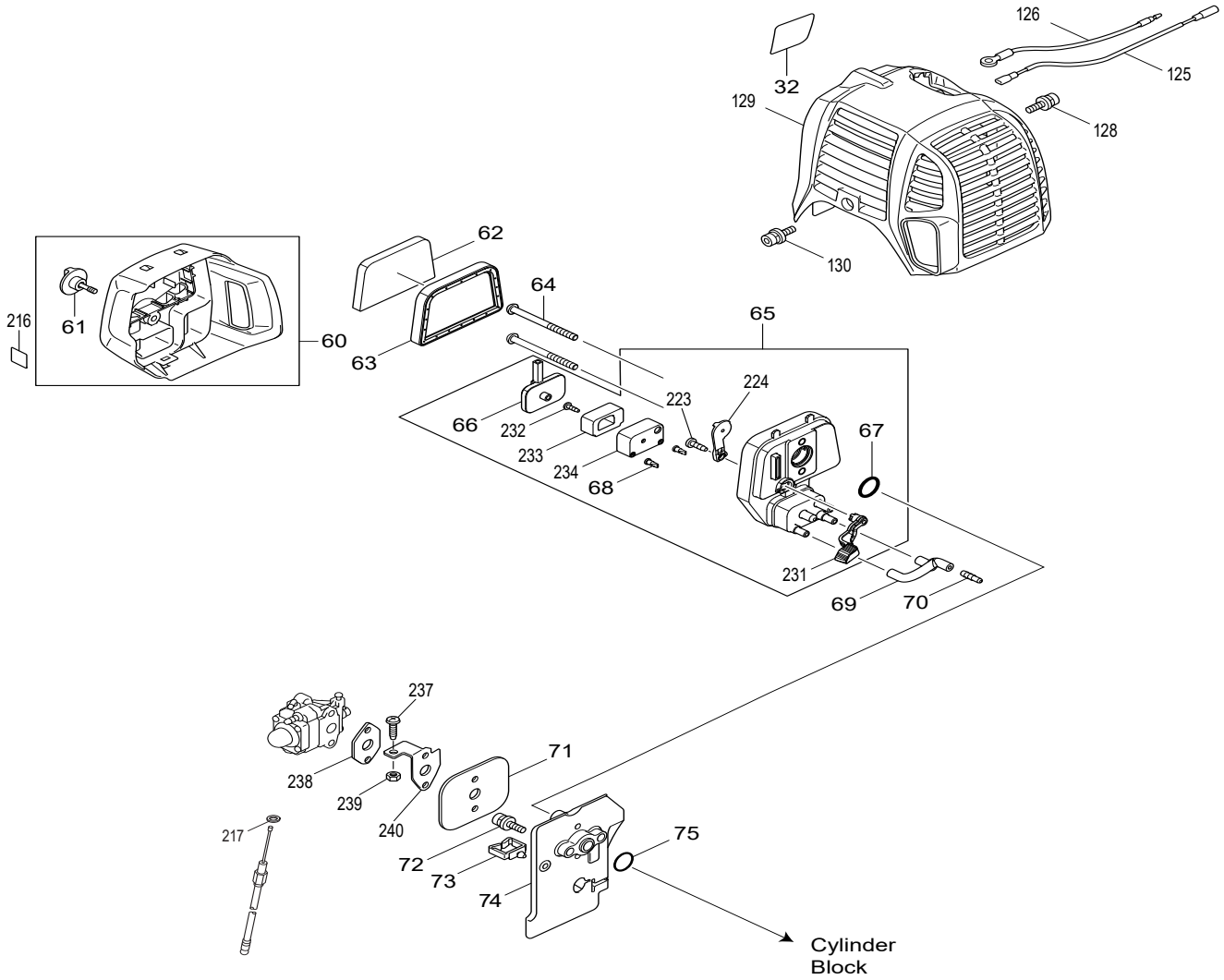
Section	Fig. No.	Part No.	Description	EN4951SH	Tech Bulletin	Notes
1	1	135773-7	20" ARTICULATING HT ATTACHMENT	1		INC.251-323
1	1	135683-8	TRIMMER HEAD ASSEMBLY	1		INC.251-323
1	2	454270-7	BAND	2		
1	3	326530-6	SHAFT	1		
1	4	195143-2	HANGER SET	1		INC.5
1	5	911233-1	PAN HEAD SCREW M5X20	1		
1	6	143233-5	PIPE COMPLETE C	1		INC. 219
1	7	273531-4	GRIP	1		
1	10	911148-2	PAN HEAD SCREW M4X25	2		
1	38	126488-7	CONTROL LEVER ASSEMBLY	1		INC.39-55
1	218	443170-6	FELT	1		
1	A02	454279-9	BLADE COVER	1		
1	A08	197439-7	GEAR GREASE	1		



38

Products with multiple versions are listed in subsiding order with the newest version on top not indented.

Section	Fig. No.	Part No.	Description	EN4951SH	Tech Bulletin	Notes
2	38	126488-7	CONTROL LEVER ASSEMBLY	1		INC.39-55
2	39	266130-9	TAPPING SCREW BIND PT 3X16	1		
2	40	451595-0	SWITCH COVER	1		
2	41	451594-2	SWITCH LEVER	1		
2	42	232251-9	LEAF SPRING	1		
2	43	188832-6	LEVER CASE SET	1		INC. 55
2	44	346248-3	CLAMP 24	2		
2	45	922218-2	H.S.H.BOLT M5X14 WITH WR	2		
2	46	451593-4	LOCK LEVER	1		
2	47	233541-3	TORSION SPRING 7	1		
2	48	168571-4	CONTROL CABLE	1		
2	49	233540-5	TORSION SPRING 11	1		
2	50	455313-8	THROTTLE LEVER	1		
2	51	638714-7	LEAD UNIT	1		
2	52	638713-9	LEAD UNIT	1		
2	53	452071-7	CORRUGAT E TUBE	1		
2	54	266326-2	TAPPING SCREW 4X18	4		
2	55	188832-6	LEVER CASE SET	1		INC. 43

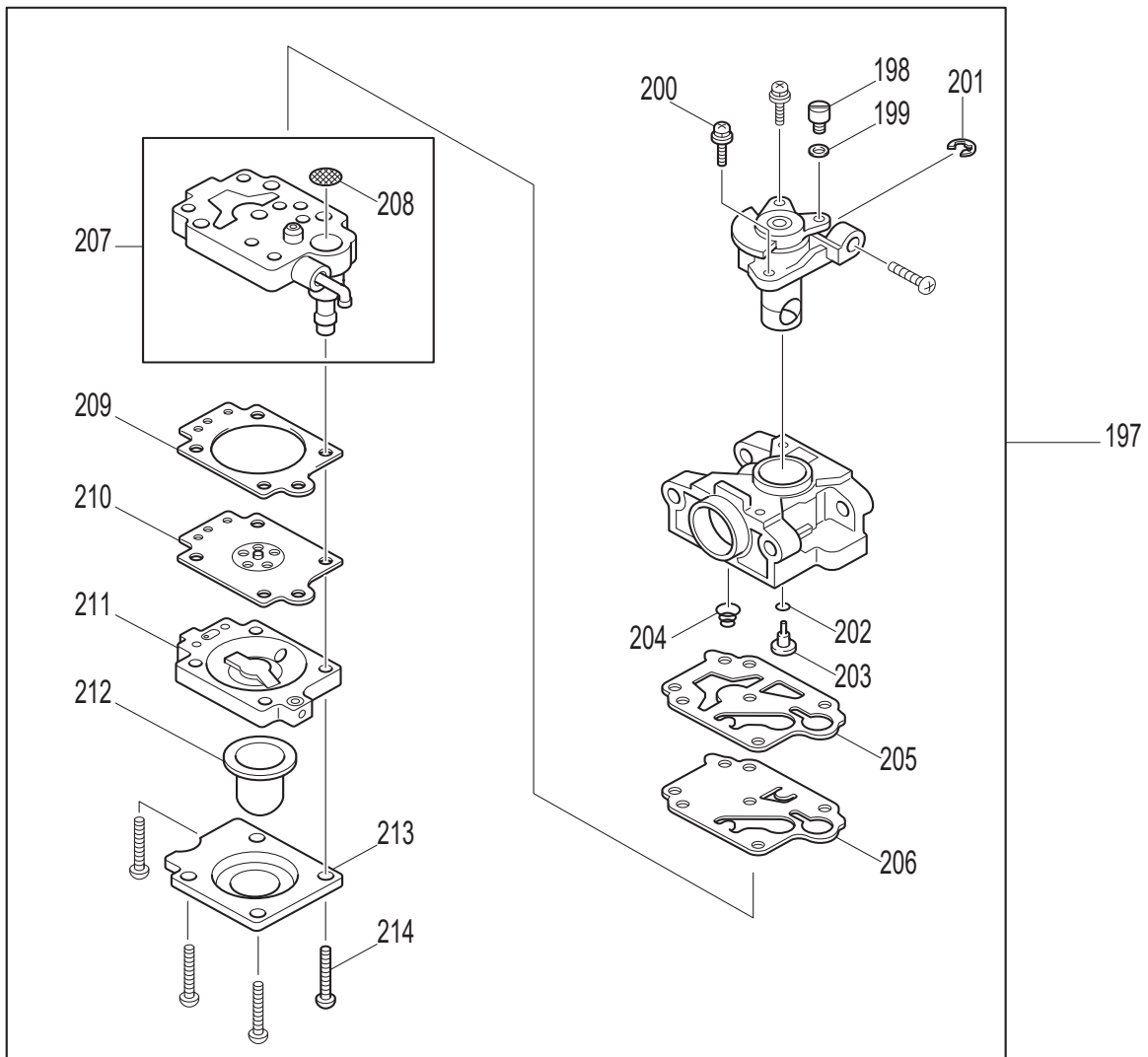
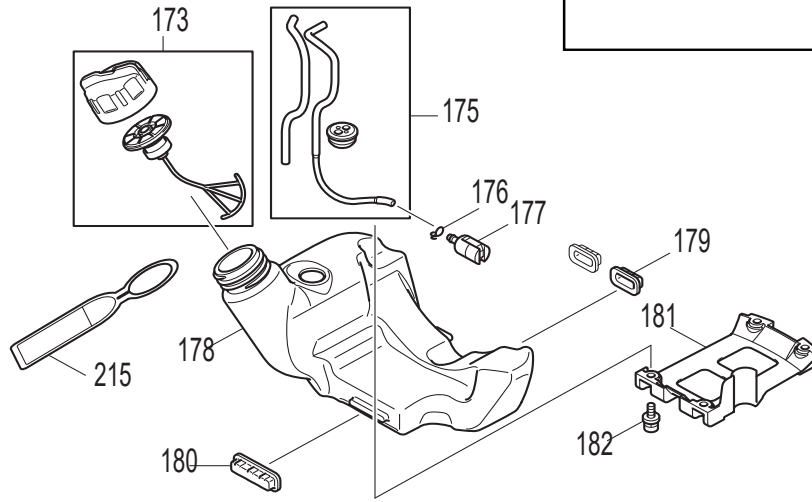


Products with multiple versions are listed in subsiding order with the newest version on top not indented.

Section	Fig. No.	Part No.	Description	EN4951SH	Tech Bulletin	Notes
3	60	123499-3	CLEANER COVER ASSEMBLY	1	B1277	
3	60	126202-1	CLEANER COVER ASSEMBLY	1		INC. 61
3	61	265791-2	THUMB SCREW M4	1		
3	62	443171-4	AIR CLEANER ELEMENT	1		
3	63	443169-1	AIR CLEANER ELEMENT	1		
3	64	266871-7	H.S.BUTTON HEAD BOLT M5X60	2		
3	65	123501-2	CLEANER PLATE ASSEMBLY	1	B1277	INC. 66-68,223,224 ,231-234
3	65	126198-6	CLEANER PLATE ASSEMBLY	1		INC. 66-68,223,224 ,231-234
3	66	162346-3	SEPARATOR PLATE	1		
3	67	213540-1	O RING 15	1		
3	68	424316-3	CHECK VALVE	2		
3	69	422099-9	PIPE	1		
3	70	325665-0	JOINT PIPE	1		
3	71	442153-3	CARBUR ETOR GASKET	1		
3	72	266787-6	H.S.H.BOLT M5X18 WITH WR	2		
3	73	451825-9	CLAMP	1		
3	74	451729-5	INSULATOR	1		
3	75	213547-7	O-RING 12	1		
3	125	638707-4	LEAD UNIT	1		
3	126	638708-2	LEAD UNIT	1		
3	128	922218-2	H.S.H.BOLT M5X14 WITH WR	2		
3	129	453266-5	CYLINDER COVER	1		
3	130	922218-2	H.S.H.BOLT M5X14 WITH WR	2		
3	223	266427-6	TAPPING SCREW 4X12	1		
3	224	452219-1	CHOKE PLATE	1		
3	231	452220-6	CHOKE LEVER	1		
3	232	266007-8	TAPPING SCREW BIND PT 3X10	1	2014-09	
3	233	352020-3	SEPARATOR MESH	1		
3	234	453865-3	SEPARATOR CASE	1		
3	236	346732-8	PLATE	1		
3	237	266887-2	H.L. SOCKET HEAD BOLT M4X20	1		
3	238	442199-9	GASKET	1		
3	239	931102-0	HEX. NUT M4	1		
3	240	346730-2	HOLDER	1		
3	217	941151-9	FLAT WASHER 6	1		

MAINTENANCE KIT

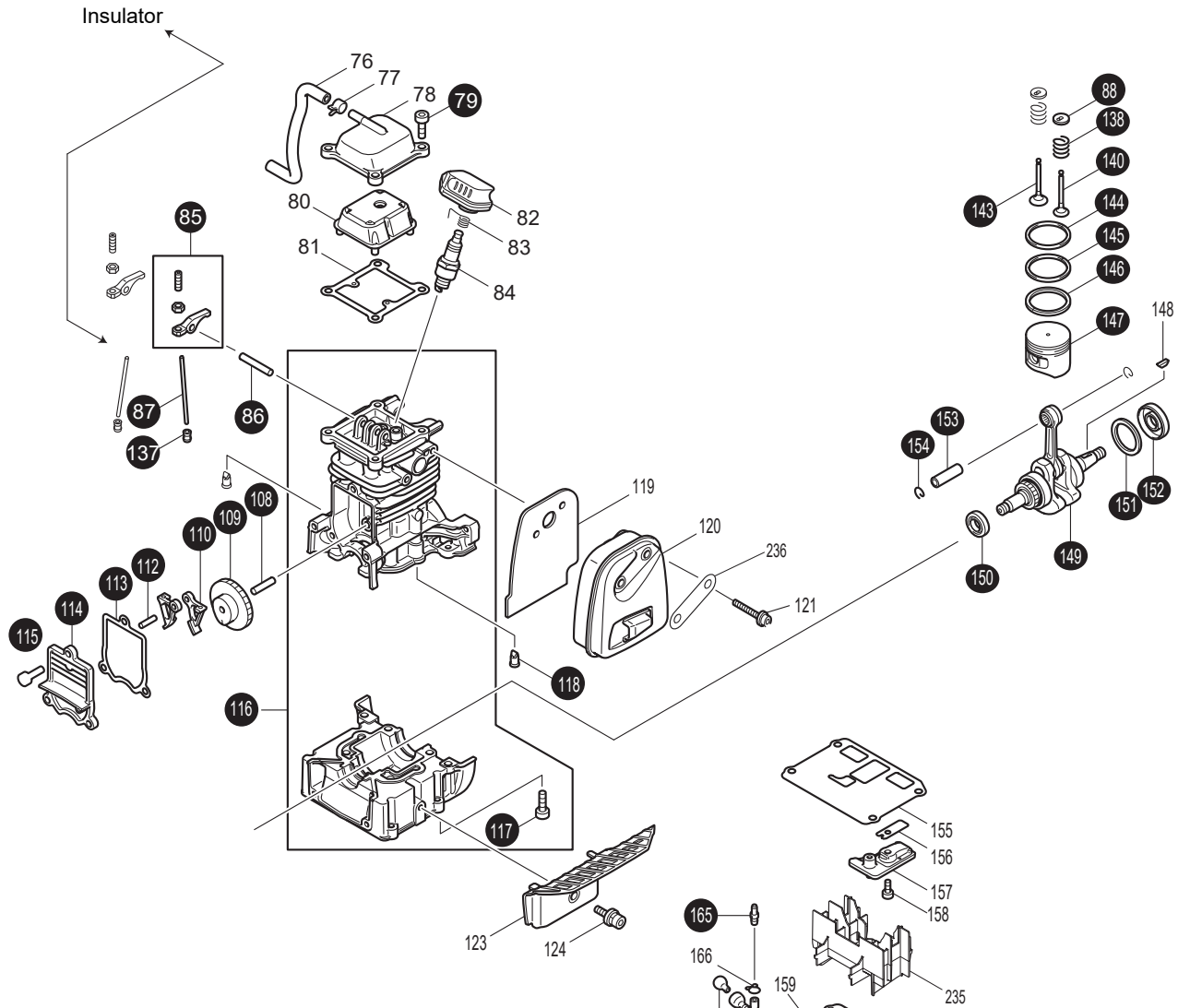
A10



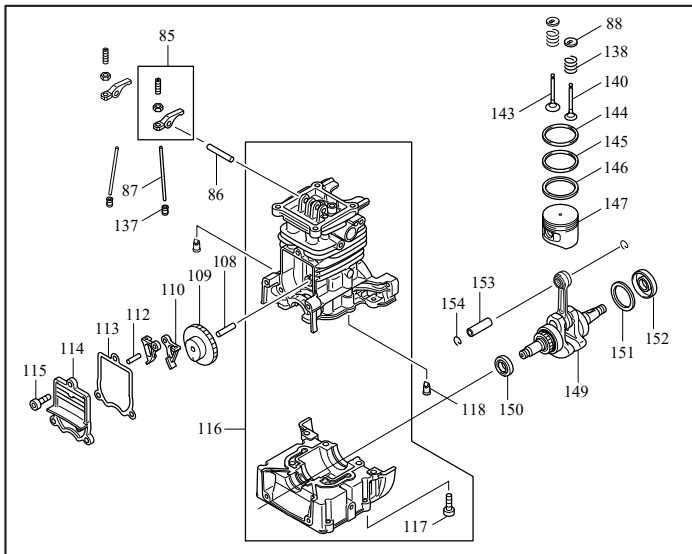


Products with multiple versions are listed in subsiding order with the newest version on top not indented.

Section	Fig. No.	Part No.	Description	EN4951SH	Tech Bulletin	Notes
4	173	125728-0	FUEL TANK CAP ASSEMBLY	1		
4	175	168775-8	TUBE COMPLETE	1		
4	176	282020-8	HOSE CLAMP	1		
4	177	163518-3	GASOLINE FILTER	1		
4	178	123419-7	FUEL TANK	1		
4	178	454010-3	FUEL TANK	1		
4	179	424080-6	BUFFER RUBBER	2		
4	180	424081-4	BUFFER RUBBER	1		
4	181	451737-6	TANK GUARD	1		
4	182	922218-2	H.S.H.BOLT M5X14 WITH WR	2		
4	197	168762-7	CARBUR ETOR	1		
4	198	325922-6	SWIVEL	1		
4	199	413140-9	WASHER	1		
4	200	266581-6	PAN HEAD SCREW M3X B WITH W	2		
4	201	257964-1	STOP RING E-3	1		
4	202	213538-8	O RING 2	1		
4	203	325985-2	JET	1		
4	204	234183-6	CONICAL COMPRESSION SPRING 5-9	1		
4	205	442155-9	PUMP GASKET	1		
4	206	WJ00009599	PUMP DIAPHRAGM	1		
4	206	168575-6	PUMP DIAPHRAGM	1		
4	207	141737-1	PUMP BODY	1		INC.208
4	208	352021-1	INLET SCREEN	1		
4	209	442154-1	METERING DIAPHRAGM GASKET	1		
4	210	168620-7	METERING DIAPHRAGM	1		
4	211	140438-8	AIR PURGE BODY	1		
4	212	424314-7	PRIMER PUMP	1		
4	213	346270-0	PRIMER PUMP COVER	1		
4	214	266582-4	TAPPING SCREW 3X24	4		
4	215	810455-9	CAUTION PLATE	1		
4	178	123419-7	FUEL TANK ASSEMBLY	1		INC. 173,175-177
4	178	454010-3	FUEL TANK ASSEMBLY	1		INC. 173,175-177
4	A10	197680-2	MAINTENANCE KIT	1		INC. 173,175-178



### Included in Short Block Assembly Fig. No. 324.



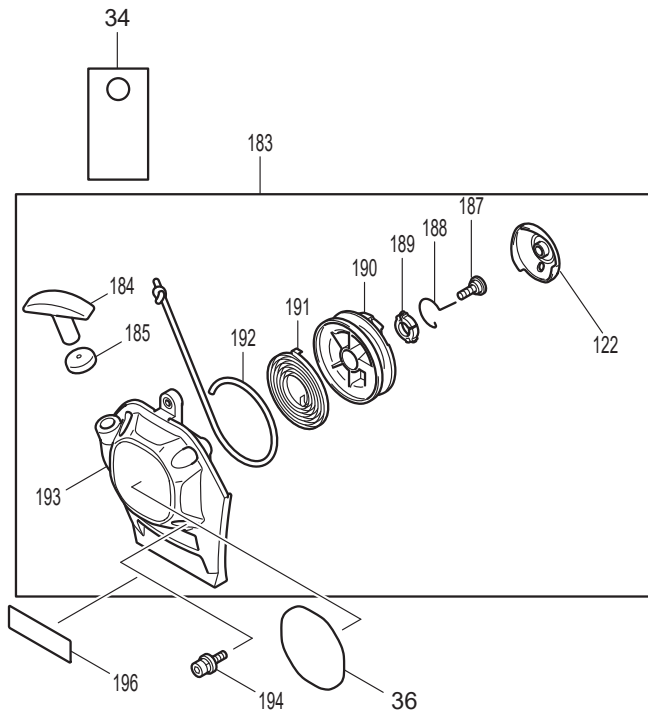
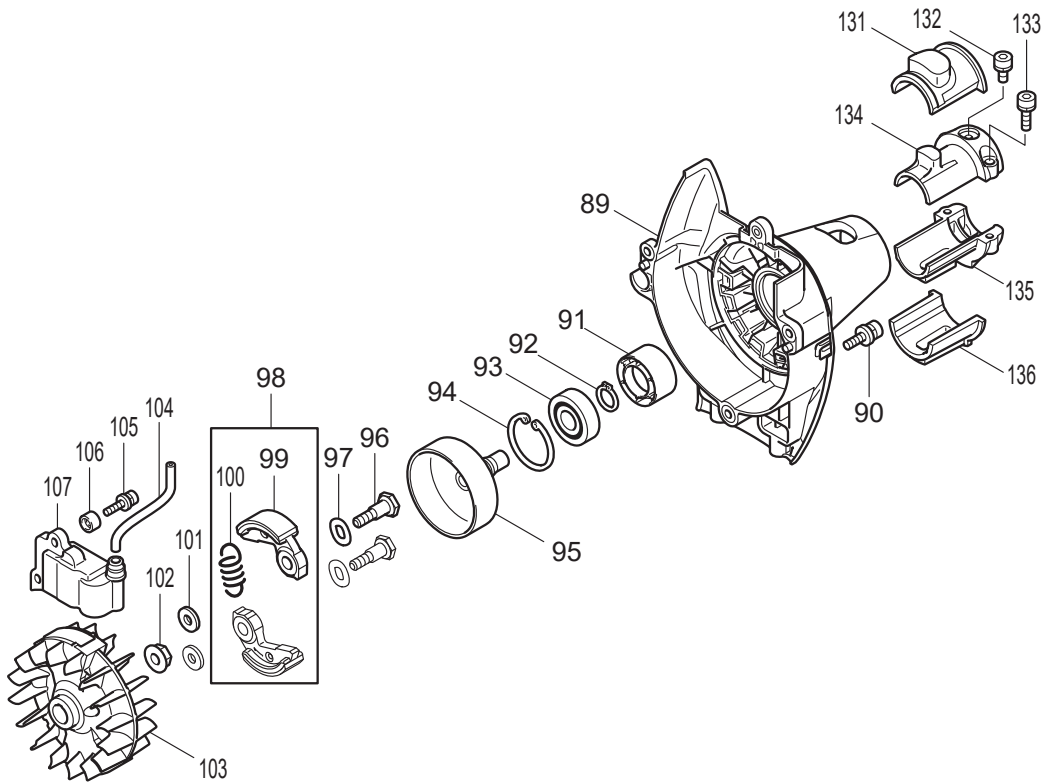
324

Products with multiple versions are listed in subsiding order with the newest version on top not indented.

Section	Fig. No.	Part No.	Description	EN4951SH	Tech Bulletin	Notes
5	76	422109-2	BREATHER PIPE	1		INC. 173,175-179
5	77	345918-1	HOSE CLAMP	1		
5	78	318745-9	ROCKER COVER OUTER	1		
5	79	922222-1	HEX. SOCKET HEAD BOLT M5X 16	4		
5	80	453860-3	ROCKER COVER INNER	1		
5	81	162304-9	ROCKER COVER GASKET	1		
5	82	424302-4	PLUG CAP	1		
5	83	324891-8	PLUG CAP SPRING	1		
5	84	168534-0	SPARK PLUG	1		NGK CMR4A .030
5	85	125554-7	ROCKER ARM ASSEMBLY	2		
5	86	256200-2	PIN 5	1		
5	87	256865-0	ROD 2.5	2		
5	88	325668-4	SPRING RETAINER	2		
5	108	268238-5	PIN 5	1		
5	109	125552-1	CAM GEAR ASSEMBLY	1		
5	110	313169-4	CAM LIFTER	2		
5	112	268239-3	PIN 4	1		
5	113	162274-2	CAM GEAR COVER GASKET	1		
5	114	318443-5	CAM GEAR COVER	1		
5	115	922222-1	HEX. SOCKET HEAD BOLT M5X 16	4		
5	116	135478-9	CYLINDER BLOCK ASSEMBLY	1		INC. 70,117,118,137
5	117	922222-1	HEX. SOCKET HEAD BOLT M5X16	4		
5	118	424201-0	CHECK VALVE	2		
5	119	346331-6	MUFFLER GASKET	1		
5	120	168554-4	EXHAUST MUFFLER	1		
5	121	266440-4	HEX SOCKET HEAD BOLT M5X40	2		
5	123	451731-8	MUFFLER PLATE	1		
5	124	922218-2	H.S.H.BOLT M5X14 WITH WR	2		
5	137	424200-2	SPACER	2		
5	138	234108-0	COMPRESSION SPRING 9	2		
5	140	326366-3	EXHAUST VALVE	1		
5	143	326367-1	INTAKE VALVE	1		
5	144	195145-8	PISTON RING SET	1		INC 145 & 146
5	145	257299-0	PISTON RING (SECOND) 34	1		NLA. USE RING SET 195145-8

Products with multiple versions are listed in subsiding order with the newest version on top not indented.

Section	Fig. No.	Part No.	Description	EN4951SH	Tech Bulletin	Notes
5	146	257300-1	PISTON RING 34	1		NLA. USE RING SET 195145-8
5	147	318441-9	PISTON	1		
5	148	254040-2	WOODRUFF KEY 3	1		
5	149	126359-8	CRANK SHAFT ASSEMBLY	1		INC. 150-152
5	150	213769-9	OIL SEAL 10	1		
5	150	213148-1	OIL SEAL 10	1		
5	151	267400-9	FLAT WASHER 23	1		
5	152	213089-1	OIL SEAL 12	1		
5	152	213147-3	OIL SEAL 12	1		
5	153	257781-9	PISTON PIN	1		
5	154	233976-8	CLIP	2		
5	155	162345-5	OIL CASE GASKET	1		
5	156	346083-9	LEAD VALVE	1		
5	157	318910-0	RETAINER PLATE	1		
5	158	922112-8	HEX. SOCKET HEAD SOLT M4X10	1		
5	159	318588-9	OIL CASE	1		
5	160	922222-1	HEX. SOCKET HEAD SOLT M5X16	4		
5	161	424344-8	DAMPER	1		
5	162	346305-7	GASKET	1		
5	163	266611-3	HEX SOLT M6X8	1		
5	164	213548-5	O-RING 20	1		
5	165	325665-0	JOINT PIPE	1		
5	166	282020-8	HOSE CLAMP	1		
5	167	325666-8	OIL WEIGHT	1		
5	168	424301-6	OIL TUBE	1		
5	183	195308-6	RECOIL START ER ASSEMBLY	1		
5	183	125752-3	RECOIL START ER ASSEMBLY	1		
5	169	452047-4	OIL CAP	1		
5	170	424343-0	GASKET	1		
5	171	452048-2	OIL PIPE	1		
5	172	922218-2	H.S.H.BOLT M5X14 WITH WR	2		
5	235	453862-9	OIL CASE PLATE	1		
5	324	135668-4	SHORT BLOCK ASS'Y 25.4CC	1		INC.85 88,108 110,112 116,138, 140,143,144,147.149,153,154

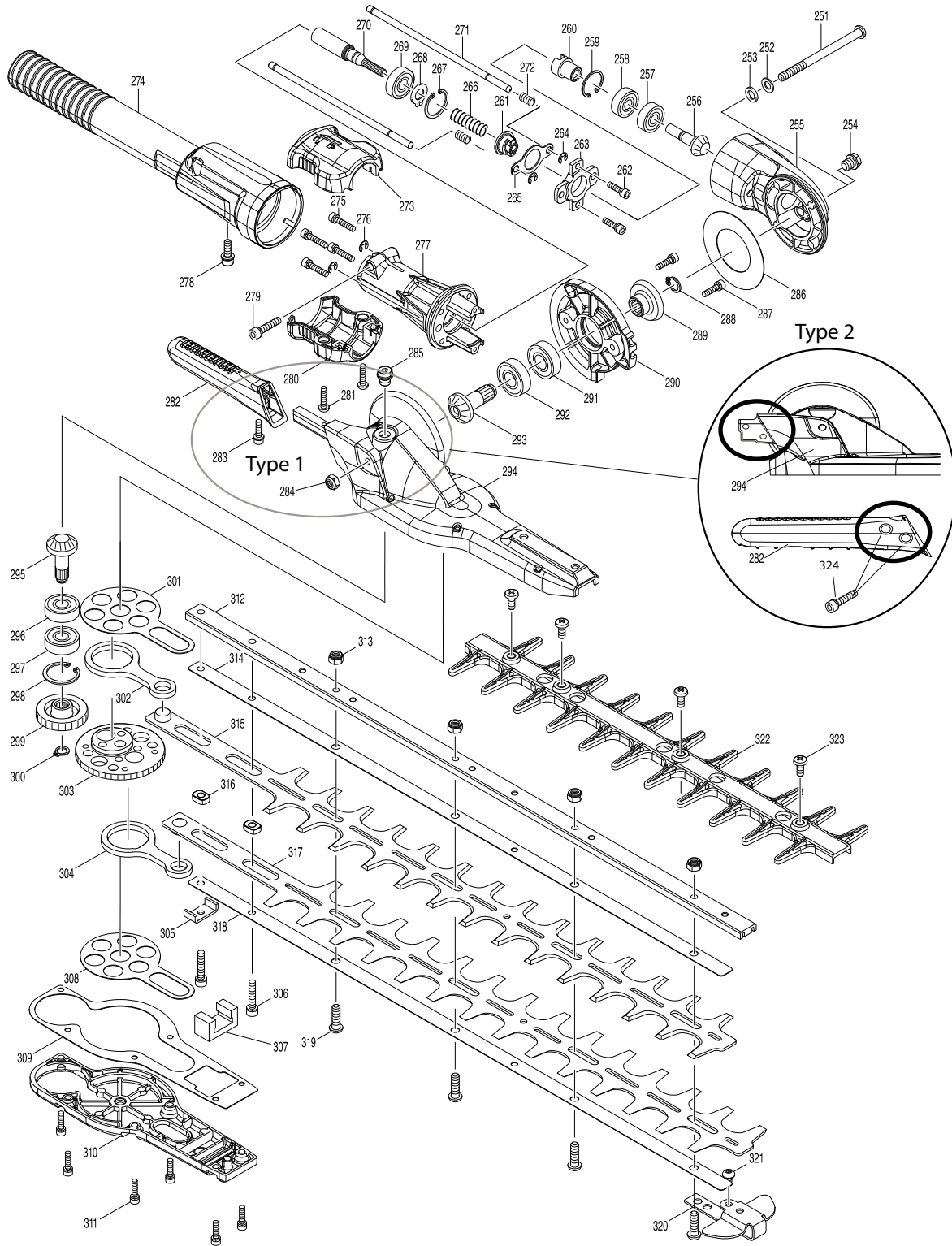


Products with multiple versions are listed in subsiding order with the newest version on top not indented.

Section	Fig. No.	Part No.	Description	EN4951SH	Tech Bulletin	Notes
6	34	819432-8	CAUTION TAG	1		
6	89	451735-0	CLUTCH CASE	1		
6	90	922228-9	H.S.H.BOLT M5X18 WITH WR	3		
6	91	450569-8	SPACER	1		
6	92	961052-5	RETAINING RING S-12	1		
6	93	211129-9	BALL BEARING 6201DDW	1		
6	93	210111-5	BALL BEARING 6201LLU	1		
6	94	962151-6	RETAINING RING R-32	1		
6	95	161588-6	CLUTCH DRUM	1		
6	95	168809-7	CLUTCH DRUM	1		
6	96	266864-4	SHOULDER HEX . BOLT M6X25	2		
6	97	267817-6	WASHER 8	2		
6	98	126135-0	CLUTCH ASSEMBLY	1		INC.99,100
6	99	126135-0	CLUTCH SHOE	2		
6	100	231881-3	TENSION SPRING 7	1		
6	101	267812-6	WASHER 6	2		
6	102	264039-9	CONED DISK SPRING HEX NUT M8-13	1		
6	103	318569-3	FLYWHEEL	1		
6	104	444021-6	TUBE	1		
6	105	266602-4	HEX.SOCKET HEAD BOLT M4X 20	2		
6	106	452049-0	SPACER	2		
6	107	168559-4	IGNITION COIL	1		
6	122	168483-1	PULLEY	1		
6	131	424082-2	BUFFER RUBBER	1		
6	132	922211-6	HEX. SOCKET HEAD SOLT M5X12	1		
6	133	922226-3	HEX.SOCKET HEAD SOLT M5X18	2		
6	134	318249-1	PIPE HOLDER	1		
6	135	318250-6	PIPE HOLDER	1		
6	136	424083-0	BUFFER RUBBER	1		
6	183	195308-6	RECOIL START ER ASSEMBLY	1		INC. 184,185,187-193
6	184	424319-7	STARTER KNOB	1		
6	185	424359-5	DAMPER	1		
6	187	266585-8	TAPPING SCREW 5X12	1		
6	188	325923-4	SWING ARM	1		

Products with multiple versions are listed in subsiding order with the newest version on top not indented.

Section	Fig. No.	Part No.	Description	EN4951SH	Tech Bulletin	Notes
6	189	451938-6	COLLAR	1		
6	190	451937-8	REEL	1		
6	191	232258-5	SPIRAL SPRING	1		
6	192	444023-2	STARTER ROPE	1		
6	193	451733-4	STARTER CASE	1		
6	194	922223-9	H.S.H.BOLT M5X16 WITH WR	4		





Products with multiple versions are listed in subsiding order with the newest version on top not indented.

Section	Fig. No.	Part No.	Description	EN4951SH	Tech Bulletin	Notes
7	251	266817-3	H.S. BUTTON HEAD BOLT M6X85	1		
7	252	232279-7	CONED DISC SPRING 6	1		
7	253	941151-9	FLAT WASHER 6	1		
7	254	266818-1	HEX. SOCKET HEX. BOLT M8X8	1		
7	255	318969-7	JOINT	1		
7	256	227604-5	SPIRAL BEVEL GEAR 9	1		
7	257	211032-4	BALL BEARING 608ZZ	1		
7	258	211032-4	BALL BEARING 608ZZ	1		
7	259	962102-9	RETAINING RING R-22	1		
7	260	310534-8	GAM A	1		
7	261	310535-6	CAM S	1		
7	262	922126-7	HEX. SOCKET HEAD BOLT M4X16	2		
7	263	313254-3	HOLDER PLATE	1		
7	264	961011-9	STOP RING E-4	2		
7	265	346657-6	SLIDE PLATE	1		
7	266	231297-2	COMPRESSION SPRING 9	1		
7	267	962103-7	RETAINING RING R-24	1		
7	268	961005-4	RETAINING RING S-9	1		
7	269	210051-7	BALL BEARING 609LLB	1		
7	269	210049-4	BALL BEARING 609ZZ	1		
7	270	142000-5	SPINDLE COMPLETE	1		
7	271	326812-6	ROD 5	2		
7	271	326256-0	ROD 5	2		
7	272	233117-6	COMPRESSION SPRING 6	2		
7	273	187575-7	SLIDE LEVER SET	1		INC.280
7	274	143232-7	COVER COMPLETE	1		
7	275	265493-0	HEX. SOCKET HEAD BOLT M4X20	4		
7	276	961011-9	STOP RING E-4	2		
7	277	318970-2	PIPE HOLDER	1		
7	278	922223-9	H.S.H.BOLT M5X16 WITH WR	4		
7	279	922241-7	HEX. SOCKET HEAD BOLT M5X25	1		
7	280	187575-7	SLIDE LEVER SET	1		INC. 273
7	281	265995-6	TAPPING SCREW 4X18	2		
7	282	456369-4	GRIP	1	A9070	Requires 1 EA 143500-8 & 2 EA 911516-9

Products with multiple versions are listed in subsiding order with the newest version on top not indented.

Section	Fig. No.	Part No.	Description	EN4951SH	Tech Bulletin	Notes
7	282	454248-0	GRIP	1		
7	283	911516-9	PAN HEAD SCREW M4X12	1	A9070	Requires 1 EA 143500-8 & 1 EA 456369-4
7	283	922128-3	HEX. SOCKET HEAD SOLT M4X16	1		
7	284	252190-7	HEX.LOCK NUT M6 10	1		
7	285	266818-1	HEX. SOCKET HEX. SOLT M8X8	1		
7	286	267467-7	FLAT WASHER 36	1		
7	287	922126-7	HEX. SOCKET HEAD SOLT M4X16	2		
7	288	961006-2	RETAINING RING S-10	1		
7	289	227605-3	SPIRAL BEVEL GEAR 22	1		
7	290	310533-0	ANGULAR PLATE	1		
7	291	211101-1	BALL BEARING 6001LLB	1		
7	291	211148-5	BALL BEARING 6001ZZ	1		
7	292	211101-1	BALL BEARING 6001LLB	1		
7	292	211148-5	BALL BEARING 6001ZZ	1		
7	293	227606-1	SPIRAL BEVEL GEAR 11	1		
7	294	143500-8	GEAR HOUSING COMPLETE	1	A9070	Requires 1 EA 456369-4 & 2 EA 911516-9
7	294	142018-6	GEAR HOUSING COMPLETE	1		
7	295	227607-9	SPIRAL BEVEL GEAR 12	1		
7	296	211097-6	BALL BEARING 6000LLB	1		
7	296	211062-5	BALL BEARING 6000ZZ	1		
7	297	211097-6	BALL BEARING 6000LLB	1		
7	297	211062-5	BALL BEARING 6000ZZ	1		
7	298	962105-3	RETAINING RING R-26	1		
7	299	227317-8	SPUR GEAR 24	1		
7	300	961004-6	RETAINING RING S 8	1		
7	301	346658-4	PLATE	1		
7	302	346251-4	CONNECTING ROD	1		
7	303	227248-1	SPUR GEAR 43	1		
7	304	346251-4	CONNECTING ROD	1		
7	305	346256-4	HOLDER	1		
7	306	922241-7	HEX. SOCKET HEAD SOLT M5X25	1		
7	307	443159-4	SEAL	1		
7	308	346658-4	PLATE	1		
7	309	423458-0	GASKET	1		

Products with multiple versions are listed in subsiding order with the newest version on top not indented.

Section	Fig. No.	Part No.	Description	EN4951SH	Tech Bulletin	Notes
7	310	318968-9	UNDER COVER	1		
7	311	922126-7	HEX. SOCKET HEAD SOLT M4X16	2		
7	312	332058-4	GUIDE BAR	1		
7	313	264089-4	HEX. LOCK NUT M6 10	4		
7	314	346665-7	PLATE	1		
7	315	725187-4	SHEAR BLADE	1		
7	316	313211-1	SLEEVE 5	2		
7	317	725187-4	SHEAR BLADE	1		
7	318	346665-7	PLATE	1		
7	319	266824-6	H.S. BUTTON HEAD SOLT M6X20	4		
7	320	346629-1	END COVER	1		
7	321	266075-1	HEX. SOCKET HEAD SOLT M5X6	1		
7	322	454672-7	BLADE GUARD	1		
7	323	915211-3	BINDING HEAD SCREW M5X12	4		
7	A06	125516-5	BAND ASSEMBLY	1		NOT PICTURED