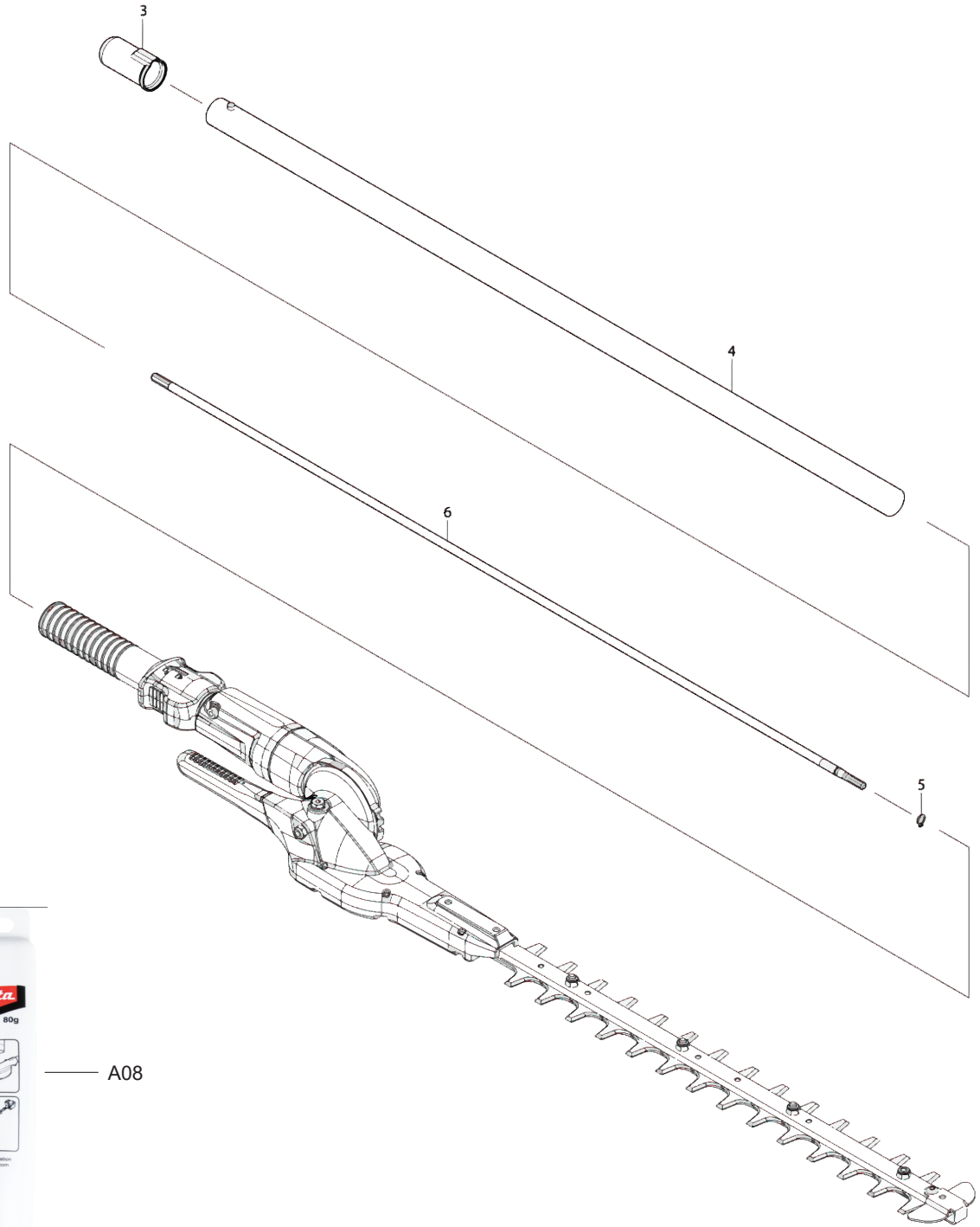




PARTS BREAKDOWN

EN401MP

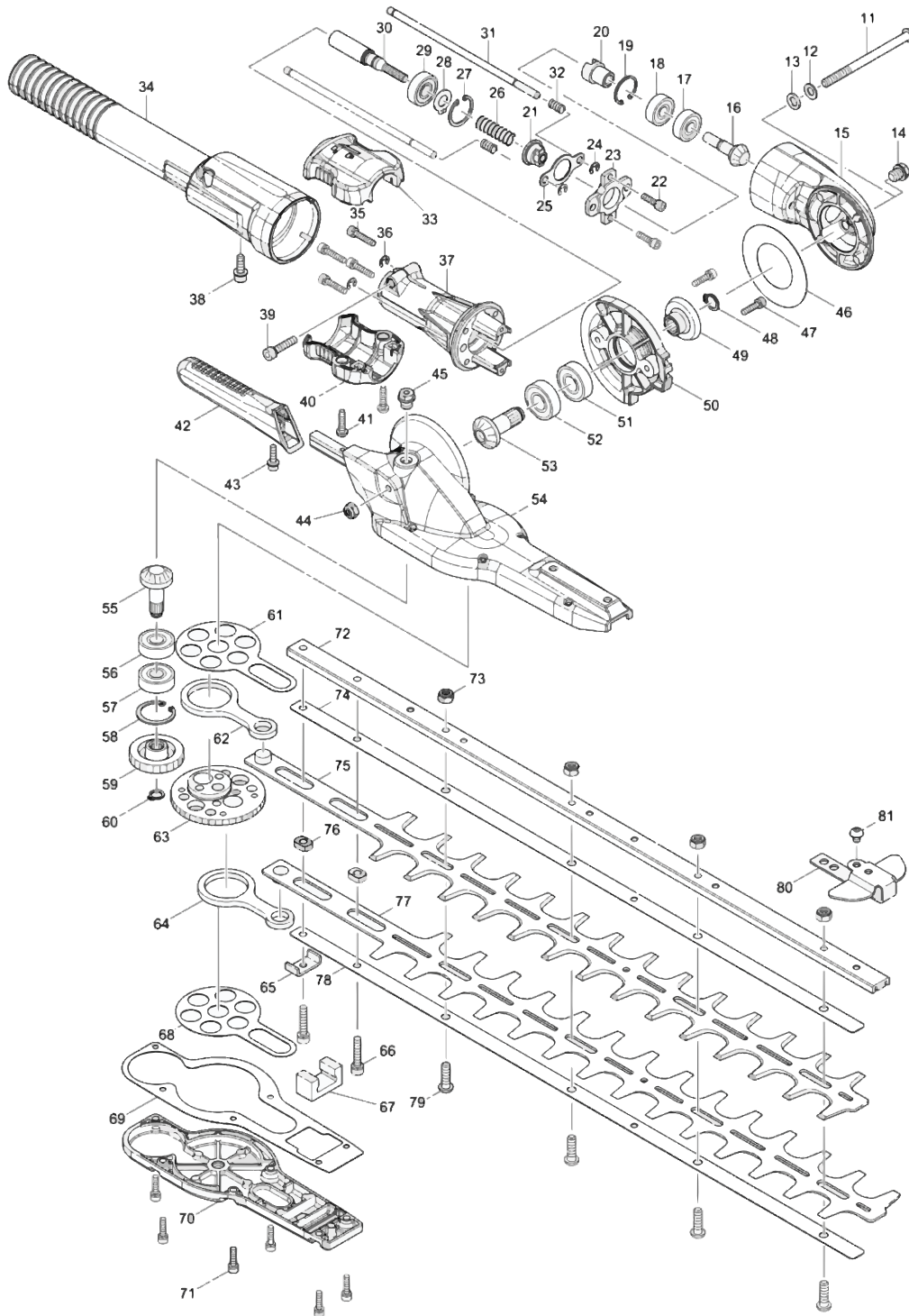
HT-CS1



A08

Products with multiple versions are listed in subsiding order with the newest version on top not indented.

Section	Fig. No.	Part No.	Description	EN401MP	HT-CS1	Tech Bulletin	Notes
1	3	424434-7	CAP 24	1	1		
1	4	142033-0	PIPE COMPLETE (INC. 2)	1	1		
1	5	961003-8	RETAINING RING S-7	1	1		
1	6	326088-5	SHAFT A	1	1		
1	A08	197439-7	GEAR GREASE	<u>1</u>	1		



Products with multiple versions are listed in subsiding order with the newest version on top not indented.

Section	Fig. No.	Part No.	Description	EN401MP	HT-CS1	Tech Bulletin	Notes
2	11	266817-3	H.S. BUTTON HEAD BOLT M6X85	1	1		
2	12	232279-7	CONED DISC SPRING 6	1	1		
2	13	941151-9	FLAT WASHER 6	1	1		
2	14	266818-1	HEX SOCKET HEX BOLT M8X8	1	1		
2	15	318969-7	JOINT	1	1		
2	16	227604-5	SPIRAL BEVEL GEAR 9	1	1		
2	17	211031-6	BALL BEARING 608ZZ	1	1		
2	17	211032-4	BALL BEARING 608ZZ	1	1		
2	18	211031-6	BALL BEARING 608ZZ	1	1		
2	18	211032-4	BALL BEARING 608ZZ	1	1		
2	19	962102-9	RETAINING RING R-22	1	1		
2	20	310534-8	CAM A	1	1		
2	21	310535-6	CAM B	1	1		
2	22	922126-7	HEX SOCKET HEAD BOLT M4X16	2	2		
2	23	313254-3	HOLDER PLATE	1	1		
2	24	961011-9	STOP RING E-4	2	2		
2	25	346657-6	SLIDE PLATE	1	1		
2	26	231297-2	COMPRESSION SPRING 9	1	1		
2	27	962103-7	RETAINING RING R-24	1	1		
2	28	961005-4	RETAINING RING S-9	1	1		
2	29	210051-7	BALL BEARING 609ZZ	1	1		
2	29	210049-4	BALL BEARING 609ZZ	1	1		
2	30	142000-5	SPINGLE COMPLETE	1	1		
2	31	326812-6	ROD 5	2	2		
2	31	326256-0	ROD 5	2	2		
2	32	233117-6	COMPRESSION SPRING 6	2	2		
2	33	187575-7	SLIDE LEVER SET (INC. 40)	1	1		
2	34	454249-8	COVER	1	1		
2	35	265493-0	HEX SOCKET HEAD BOLT M4X20	4	4		
2	36	961011-9	STOP RING E-4	2	2		
2	37	318970-2	PIPE HOLDER	1	1		
2	38	922223-9	H.S.H. BOLT M5X16 WITH WR	1	1		
2	39	922241-7	HEX SOCKET HEAD BOLT M5X25	1	1		
2	40	187575-7	SLIDE LEVER SET (INC 33)	1	1		

Products with multiple versions are listed in subsiding order with the newest version on top not indented.

Section	Fig. No.	Part No.	Description	EN401MP	HT-CS1	Tech Bulletin	Notes
2	41	265995-6	TAPPING SCREW 4X18	2	2		
2	42	456369-4	GRIP	1	1		Requires 1-143500-8, 2-911516-9
2	43	911516-9	HEX SOCKET HEAD BOLT M4X16	1	1		2015-07>
2	43	922128-3	HEX SOCKET HEAD BOLT M4X16	1	1		>2015-06
2	43	911516-9	PAN HEAD SCREW M4X12	2	2		
2	44	252190-7	HEX LOCK NUT M6-10	1	1		
2	45	266818-1	HEX SOCKET HEX BOLT M8X8	1	1		
2	46	267467-7	FLAT WASHER 36	1	1		
2	47	922126-7	HEX SOCKET HEAD BOLT M4X16	2	2		
2	48	961006-2	RETAINING RING S-10	1	1		
2	49	227605-3	SPIRAL BEVEL GEAR 22	1	1		
2	50	310533-0	ANGULAR PLATE	1	1		
2	51	211101-1	BALL BEARING 6001ZZ	1	1		
2	51	211148-5	BALL BEARING 6001ZZ	1	1		
2	52	211101-1	BALL BEARING 6001ZZ	1	1		
2	52	211148-5	BALL BEARING 6001ZZ	1	1		
2	53	227606-1	SPIRAL BEVEL GEAR 12	1	1		
2	54	143500-8	GEAR HOUSING COMPLETE	1	1	A9070	Requires 1-456369-4, 2-911516-9
2	54	142018-6	GEAR HOUSING COMPLETE	1	1	A9070	
2	54	143500-8	GEAR HOUSING COMPLETE	1	1		
2	55	227607-9	SPIRAL BEVEL GEAR 12	1	1		
2	56	211097-6	BALL BEARING 600ZZ	1	1		
2	56	211062-5	BALL BEARING 600ZZ	1	1		
2	57	211097-6	BALL BEARING 600ZZ	1	1		
2	57	211062-5	BALL BEARING 600ZZ	1	1		
2	58	962105-3	RETAINING RING R-26	1	1		
2	59	227317-8	SPUR GEAR 24	1	1		
2	60	961004-6	RETAINING RING S-8	1	1		
2	61	346658-4	PLATE	1	1		
2	62	346251-4	CONNECTING ROD	1	1		
2	63	227248-1	SPUR GEAR 43	1	1		
2	64	346251-4	CONNECTING ROD	1	1		
2	65	346256-4	HOLDER	1	1		

Products with multiple versions are listed in subsiding order with the newest version on top not indented.

Section	Fig. No.	Part No.	Description	EN401MP	HT-CS1	Tech Bulletin	Notes
2	66	922241-7	HEX SOCKET HEAD BOLT M5X25	2	2		
2	67	443159-4	SEAL	1	1		
2	68	346658-4	PLATE	1	1		
2	69	423458-0	GASKET	1	1		
2	70	318968-9	UNDER COVER	1	1		
2	71	922126-7	HEX SOCKET HEAD BOLT M4X16	6	6		
2	72	332058-4	GUIDE BAR	1	1		
2	73	264089-4	HEX LOCK NUT M6-10	4	4		
2	74	346665-7	PLATE	1	1		
2	75	725187-4	SHEAR BLADE	1	1		
2	76	313211-1	SLEEVE 5	2	2		
2	77	725187-4	SHEAR BLADE	1	1		
2	78	346665-7	PLATE	1	1		
2	79	266824-6	H.S. BUTTON HEAD BOLT M6X20	4	4		
2	80	346629-1	END COVER, EN5950SH	1	1		
2	81	266075-1	H.S.H.BOLT M5X6, EN5950SH	1	1		