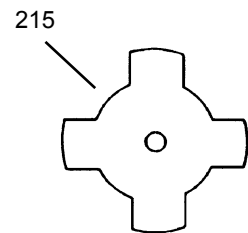
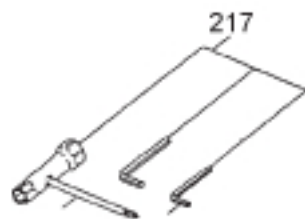
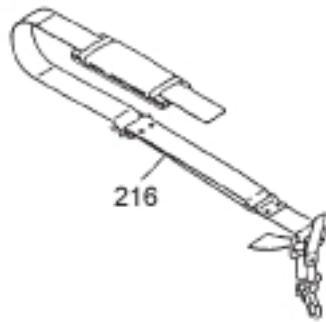


Accessories:





## PARTS BREAKDOWN

EM4250CA

rev 0\_07/01/2010

Tech Bulletins	Fig. No.	Part No.	Description	Q'ty Unit
	1	624-10030-00	SHAFT PIPE CPL.,EM4251	1
	2	619-15004-01	SHAFT, RPT250-T4	1
	3	625-80600-01	PROTECTOR ASS'Y	1
	4	625-80610-01	PROTECTOR ASS'Y	1
	5	625-80530-01	PROTECTOR CPL., RBC2510	1
	6	004-36054-00	P.H.SCREW M5X40, EM4251	2
	7	002-18050-00	NUT, RBC225	2
	8	625-40190-00	HANGER ASSY, RBC251	1
	9	004-36052-00	SCREW & WASHER ASS'Y, RBC281	1
	10	625-45000-00	GRIP, RBC260	1
	11	621-45016-00	HANDLE, RBC252	1
	12	621-45020-00	HANDLE, EM4250	1
	13	625-40070-01	HANDLE HOLDER ASS'Y,EM4250	1
	14	011-90598-90	S.H. BOLT M5X25, RBE250	4
	15	011-90598-90	S.H. BOLT M5X25, RBE250	4
	16	624-50020-00	CONTROL LEVER ASS'Y, EM4260	1
	17	624-30060-02	GEAR CASE ASS'Y, RBC2510	1
	18	011-90598-90	S.H. BOLT M5X25, RBE250	1
	19	621-25003-00	BALL BEARING 609ZZ, RBC230	1
	20	619-30061-20	OUTER SNAP RING, RBC2510	1
	21	003-14240-00	INNER SNAP RING, RBC230	1
	22	060-00699-90	BALL BEARING 626ZZ, EM4251	1
	23	624-30080-02	CUTTER SHAFT SET, RBC2510	1
	24	060-01099-10	BALL BEARING DDU, RBC2510	1
	25	003-14260-00	INNER SNAP RING, RBC230	1
	26	621-85016-01	RECEIVE WASHER, EM4251	1
	27	621-80030-01	CLAMP CPL. WASHER, EM4251	1
	28	625-85050-01	NUT, RBC255	1
	29	621-85002-00	GUARD, RBC230	1
	30	014-00593-90	SCREW ASSEMBLY	2
	31	625-30110-12	OIL BOLT M6X9, RBC201	1
	32	004-31050-60	PAN HEAD SCREW, RBC252	1
	33	011-90594-90	SOCKET HEAD BOLT M5X14, RBC255	1
	34	624-95023-01	CAUTION LABEL, EM4250	1
	35	625-95147-00	CAUTION LABEL, RBC321	1
	36	625-80280-02	PROTECTOR ASSY, EM4250	1
	37	641-85003-03	PROTECTOR CLAMP, EM4251	1
	38	001-17063-00	BOLT M6X30, EM4251	2
	39	015-00599-40	TAPPING SCREW, RBC201	1
	41	621-50220-30	LEVER , EM4250	1
	42	621-50230-60	LEVER, EM4251	1
	43	621-50230-50	ADJUST CPL.,EM4251	1
	44	624-50020-10	WIRE SET, EM4250	1
	45	624-50020-20	WIRE CPL., EM4250	1
	46	619-50060-50	SPRING, EM4251	1
	47	011-90599-80	S.H.BOLT M5X30, EM4250	1
	48	621-50220-40	NUT M5 , EM4250	1
	49	619-50060-60	T. SCREW M4X20, EM4251	2
	50	592-10050-04	CYLINDER BLOCK SET, EM4251	1
	51	592-15012-00	BALL, EM4251	2
	52	592-15005-02	CAMGEAR COVER, EM4251	1



## PARTS BREAKDOWN

EM4250CA

rev 0\_07/01/2010

Tech Bulletins	Fig. No.	Part No.	Description	Q'ty Unit
	53	592-10040-01	ROCKER COVER CPL., EM4250	1
	54	592-15007-00	CAMGEAR COVER GASKET, EM4251	1
	55	592-15008-00	ROCKER COVER GASKET, EM4251	1
	56	592-15010-00	LEAD VALVE, EM4251	1
	57	592-15011-00	RETAINER PLATE, EM4251	1
	58	011-90499-80	S.H. BOLT M4X10, EM4251	1
	59	004-36051-60	SCREW ASS'Y M5X16(W,SW),EM4251	3
	60	011-90595-10	S.H. BOLT M5X14, EM4251	6
	61	011-90595-10	S.H. BOLT M5X14, EM4251	2
	62	004-36051-40	SCREW M5X14, RBC251	3
	63	624-15002-03	CLUTCH CASE, EM4251	1
	64	004-36051-60	SCREW ASS'Y M5X16(W,SW),EM4251	3
	65	592-65000-00	OIL CASE, EM4251	1
	66	592-65001-00	CASE GASKET, EM4251	1
	67	592-65002-00	OIL TUBE, EM4251	1
	68	592-65003-00	OIL WEIGHT, EM4251	1
	69	592-65006-00	OIL GAUGE, EM4251	1
	70	021-30699-90	GASKET, RBC230	1
	70	021-31699-90	GASKET, EM4251	1
<b>Y5404</b>	<b>71</b>	<b>011-90595-10</b>	S.H. BOLT M5X14, EM4251	4
	71	004-36051-80	SCREW ASSEMBLY, RBC230	4
	72	065-01099-50	SPARK PLUG CMR6A, EM4251	1
	73	592-35038-00	WASHER, EM4251	1
	74	624-20030-00	CLUTCH DRUM CPL.,EM4251	1
	75	003-14320-00	INNER SNAP RING, RBC260	1
	76	060-01299-50	BALL BEARING 6201DD/6201 2RU,RBC261	1
	77	003-15120-00	OUTER SNAP RING, RBC260	1
	78	624-15003-00	SPACER, EM4251	1
	79	624-15004-01	PIPE DAMPER 1, EM4251	1
	80	624-15005-01	PIPE DAMPER 2, EM4251	1
	81	624-15006-01	PIPE BRACKET 1, EM4251	1
	82	624-15007-01	PIPE BRACKET 2, EM4251	1
	83	011-90599-00	S.H. BOLT M5X12, EM4250	1
	84	011-90599-50	S.H. BOLT M5X18, RBC230	2
	85	521-90020-00	STAND SET, RBC230	1
	86	014-00594-80	SCREW M5X14, EH561	2
	87	592-20030-00	CRANKSHAFT ASS'Y, EM4251	1
	88	044-01299-60	OIL SEAL (L), EM4251	1
	89	044-01099-70	OIL SEAL (S), EM4251	1
	90	542-15005-00	CLIP, EM4251	1
	91	592-25009-00	PISTON, EM4251	1
	92	592-20040-00	PISTON RING SET, EM4251	1
	93	056-50899-70	CLIP, RST250	2
	94	523-25026-00	PISTON PIN, RST250	1
	95	592-15014-00	SPACER, EM4251	2
	96	592-35000-01	CAM LIFTER, EM4251	2
	97	593-30030-00	CAM GEAR ASSEMBLY, EM4250	1
	98	592-35005-01	CAM GEAR SHAFT, EM4251	1
	99	592-35006-00	CAM LIFTER SHAFT, EM4251	1
	100	592-35007-00	PUSH ROD, EM4251	2
	101	593-30020-00	ROCKER ARM ASS'Y, BHX2500	2



## PARTS BREAKDOWN

EM4250CA

rev 0\_07/01/2010

Tech Bulletins	Fig. No.	Part No.	Description	Q'ty Unit
	102	593-35001-00	ROCKER SHAFT, BHX2500	1
	103	592-35012-00	VALVE SPRING, EM4251	2
	104	592-35013-00	SPRING RETAINER, EM4251	2
	105	592-35014-00	EXHAUST VALVE, EM4251	1
	106	592-35015-00	INTAKE VALVE, EM4251	1
	107	592-50010-02	STARTER COVER ASS'Y, EM4251	1
	108	592-50010-30	REEL, EM4251	1
	109	519-50020-60	SET SCREW, RBC201	1
	110	521-50020-30	SPIRAL SPRING, RBC230	1
	111	519-50021-10	COLLAR, RBC201	1
	112	519-50021-00	SWING ARM, RBC201	1
	113	592-50010-50	STARTER ROPE, EM4251	1
	114	522-50040-20	STARTER KNOB, RBC221	1
	115	519-55000-00	PULLEY, RBC201	1
	116	004-36042-50	SCREW ASS'Y M4X25, RBC201	2
	117	023-00499-40	SPACER, EM4251	2
	118	592-95008-00	TANK GUARD, EM4251	1
	119	004-36051-00	SCREW ASSEMBLY, EH450	2
	120	624-95086-00	MODEL LABEL, EM4250CA	1
	121	592-60090-00	CARBURETOR, EM4250	1
	122	592-60021-40	PUMP BODY ASS'Y, EM4251	1
	123	523-60461-40	AIR PURGE BODY ASS'Y, EM4251	1
	124	523-60460-50	PRIMER PUMP COVER, EM4251	1
	125	524-60011-50	PRIMER PUMP, RBC230	1
	126	592-60080-10	METERING DIAPHRAGM, EM4251	1
	127	523-60460-40	METERING DIAPHRAGM GASKET, RBC260	1
	128	524-60010-40	PUMP DIAPHRAGM, RBC230	1
	129	592-60020-40	PUMP GASKET, EM4251	1
	130	519-60020-20	JET, RBC201	1
	131	524-60010-10	O RING, RBC230	1
	132	531-60051-20	RING, RBC230	1
	133	523-60180-40	SWIVEL, RBC230	1
	134	592-60020-10	THROTTLE VALVE ASS'Y, EM4250	1
	135	520-60080-30	P.H. SCREW, RBC221	2
	136	520-60081-10	PLUG, RBC230	1
	137	523-60460-10	PUMP COVER SCREW, RBC230	4
	138	592-60020-20	PUMP SPRING, EM4251	1
	139	542-60050-30	WASHER, EM4251	1
	140	501-60040-10	INLET SCREEN, RBC230	1
	141	592-30050-02	INSULATOR, EM4251	1
	142	002-17050-00	NUT M5, EW110R	2
	143	002-27060-00	NUT, G3510R	1
	144	002-27060-00	NUT, G3510R	1
	145	592-35018-01	INSULATOR GASKET, EM4251	1
	146	592-35040-00	CARBURETOR GASKET, EM4250	1
	147	592-35020-00	CARBURETOR INSULATOR, EM4251	1
	148	011-90598-70	SOCKET HEAD BOLT, RBC230	2
	149	014-90699-72	ADJUST SCREW M6X16, EM4251	1
	150	524-60041-50	CAP, EM4251	1
	151	525-95003-00	CAP, EM4250	1
	152	592-15009-00	BREATHING PIPE, EM4251	1



## PARTS BREAKDOWN

EM4250CA

rev 0\_07/01/2010

Tech Bulletins	Fig. No.	Part No.	Description	Q'ty Unit
	153	593-30010-00	CLEANER PLATE ASSY, EM4250	1
	154	593-30050-00	AIR CLEANER PLATE CPL, EM4250	1
	155	531-65007-01	CHECK VALVE, EM4251	1
	156	592-35024-00	CHECK VALVE (1), EM4251	1
	157	592-35025-00	CHECK VALVE PLATE, EM4251	1
	158	593-35016-00	SEPARATOR PLATE,MS2514	1
	159	592-35022-00	CHOKE LEVER, EM4251	1
	160	593-35012-00	AIR CLEANER ELEMENT,EM4250	1
	161	024-01399-70	O RING P14, EM4251	1
	162	024-01599-90	O RING P15, EM4251	1
	163	592-35023-01	CHOKE PLATE, EM4251	1
	164	592-35026-00	PLATE, EM4251	1
	165	021-30699-90	GASKET, RBC230	1
	166	593-35008-00	AIR CLEANER COVER,EM4250	1
	167	592-35030-01	PIPE, EM4251	1
	168	014-00594-80	SCREW M5X14, EH561	1
	169	592-35031-00	SCREW M5X68(W,SW SUS),EM4251	2
	170	056-10800-10	HOSE CLAMP, EM4251	1
	171	592-30010-00	EXHAUST MUFFLER, EM4251	1
	172	592-35016-01	MUFFLER GASKET, EM4251	1
	173	592-35034-00	MUFFLER COVER, EM4251	1
	174	011-90595-20	SOCKET HEAD BOLT M5X40, RBC201	2
	175	014-00599-62	SCREW, EW110R	1
	176	592-65024-00	FUEL TANK, EM4251CA	1
	177	592-60030-00	TUBE, EM4251	1
	178	523-65039-00	FILTER, RBL500	1
	179	056-10599-90	HOSE CLAMP, EM4251	1
	180	592-60120-00	FUEL TANK CAP, EM4251	1
	181	525-60670-00	STRAP, RBC2510	1
	182	624-95015-01	STRAP, EM4251	1
	183	503-65002-00	PLATE, RBC230	1
	184	503-65003-00	PLATE RBC230	1
	185	519-65003-02	DAMPER, EH450	1
	186	592-70120-11	IGNITION COIL, BHX2500	1
	187	592-70010-20	FLYWHEEL, EM4251	1
	188	592-75001-00	PLUG CAP, EM4251	1
	189	065-40099-31	PLUG CAP SPRING,RBC221	1
	190	592-70030-00	WIRE CPL.,EM4251	1
	191	525-70180-01	WIRE COMPLETE, RBC201	1
	192	525-75003-00	GROMMET, EH561	1
	193	001-13061-60	BOLT ASSY, RBL500	1
	194	003-12060-00	WASHER, G2400R	1
	195	014-00499-20	SCREW M4X20, RST250	2
	196	592-85000-00	CLUTCH SHOE, EM4251	2
	197	592-85001-00	SPRING, EM4251	1
	198	592-85002-00	CLUTCH BOLT, EM4251	2
	199	592-85003-00	WASHER, EM4251	2
	200	592-55008-00	CYLINDER COVER, EM4251	1
	201	004-36051-00	SCREW ASSEMBLY, EH450	2
	202	004-36041-60	SCREW M4X16(W,SW),EM4251	2
	203	592-75000-00	PLUG COVER, EM4251	1





## PARTS BREAKDOWN

**EM4250CA**

rev 0\_07/01/2010

Tech Bulletins	Fig. No.	Part No.	Description	Q'ty Unit
	204	056-60599-80	CLAMP, RBC201	1
	205	592-95010-01	TRADE MARK LABEL, EM4250	1
	206	625-85082-00	PROTECTOR CLAMP, RBC2510	1
	207	001-17063-00	BOLT M6X30, EM4251	2
	208	625-80420-05	PROTECTOR CPL., EM4250	1
	209	592-30080-11	SPARK ARRESTER, EM4251	1
	210	592-35039-00	PIPE, EM4250	1
	211	592-15018-00	CHECK VALVE, EM4251	2
	212	011-90597-80	S.H. BOLT M5X12, RBC230	1
	213	592-35035-00	SEPARATOR GASKET, EM4251	1
	214	593-35009-00	AIR CLEANER ELEMENT,EM4250	1
	215	B-01878	9 STAR BLADE 4T, RBC310	1
	216	624-70010-01	BAND ASS'Y, EM4250	1
	217	624-90000-00	TOOL SET	1
	218	<b>072-21046-00</b>	OIL BOTTLE	1
	218	072-21050-00	OIL BOTTLE, EM4251	1