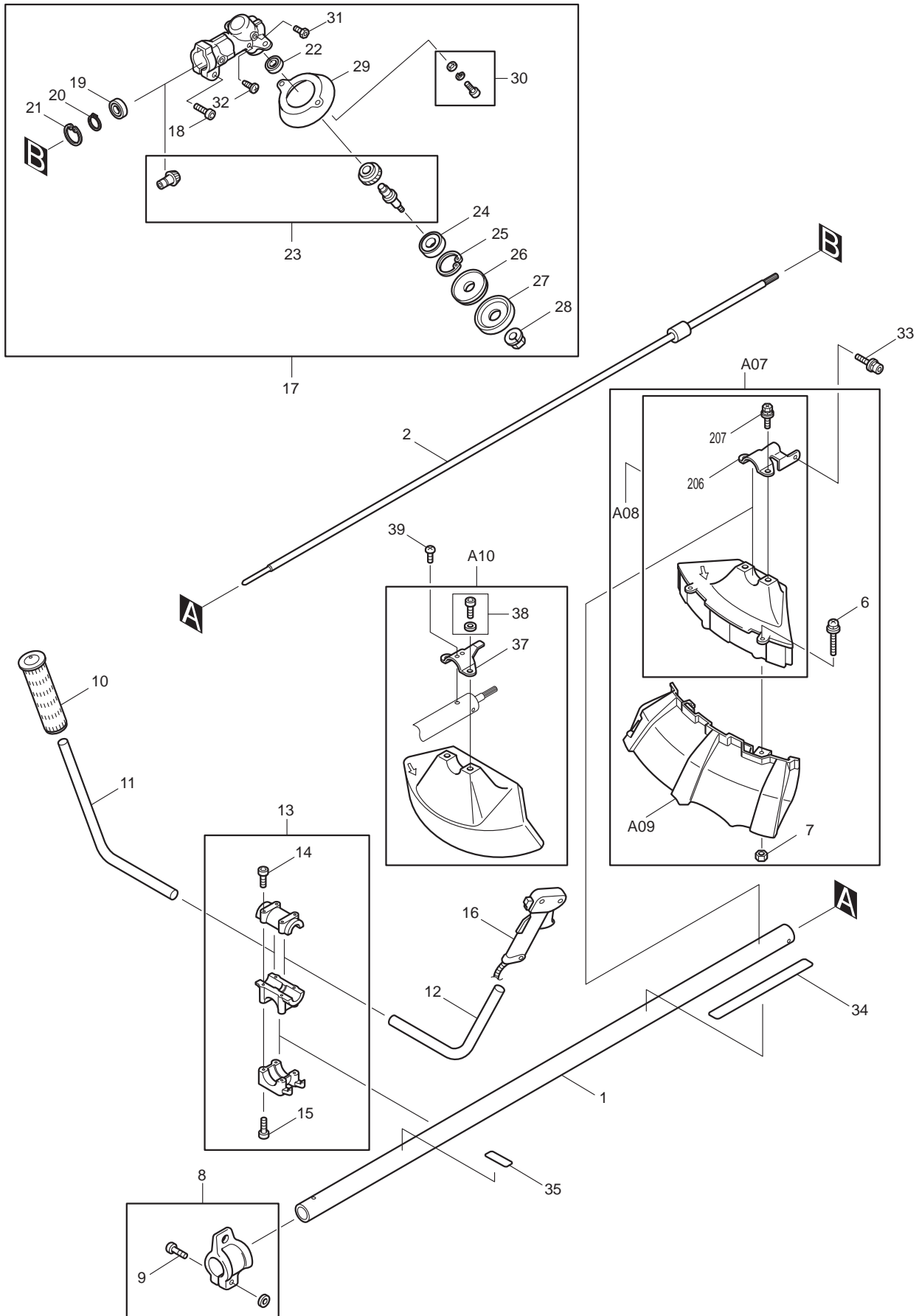
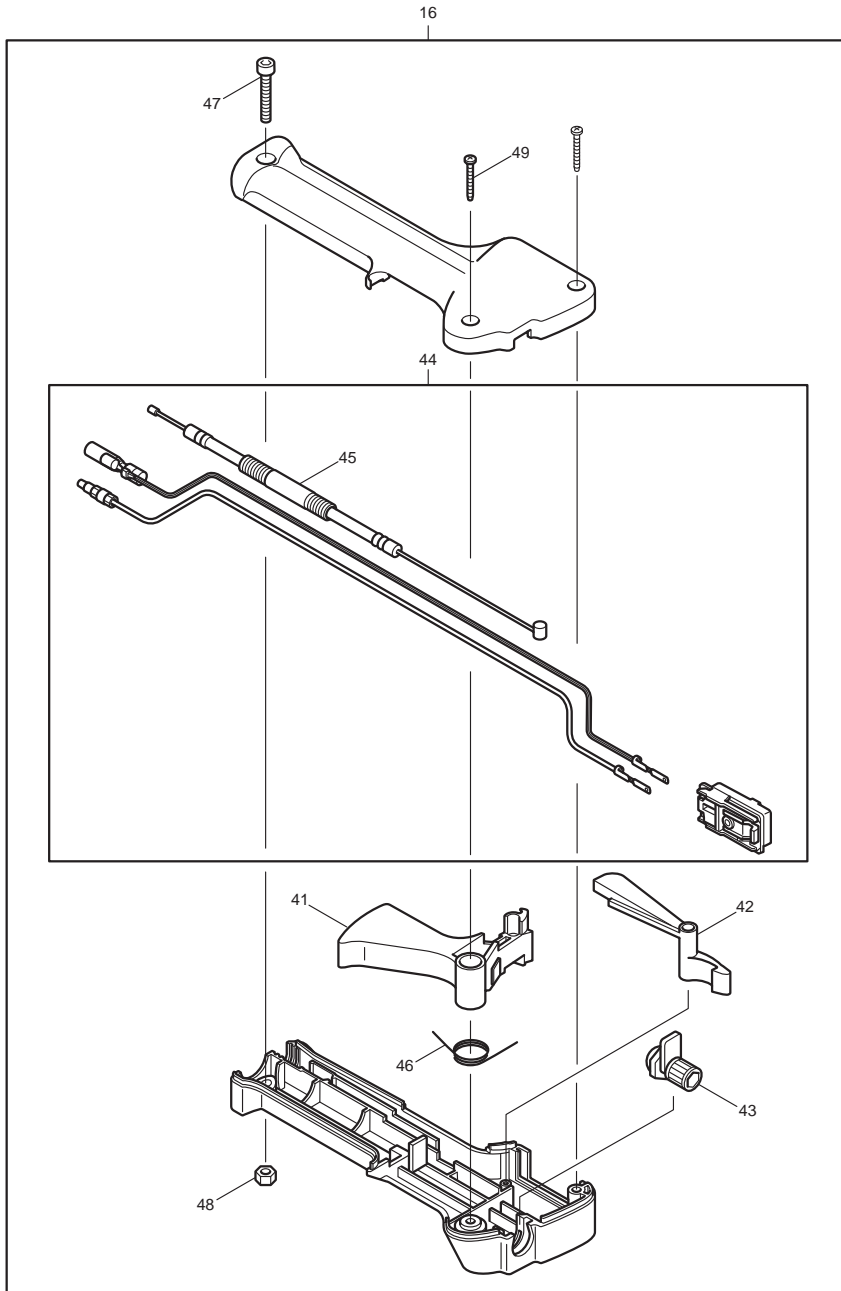


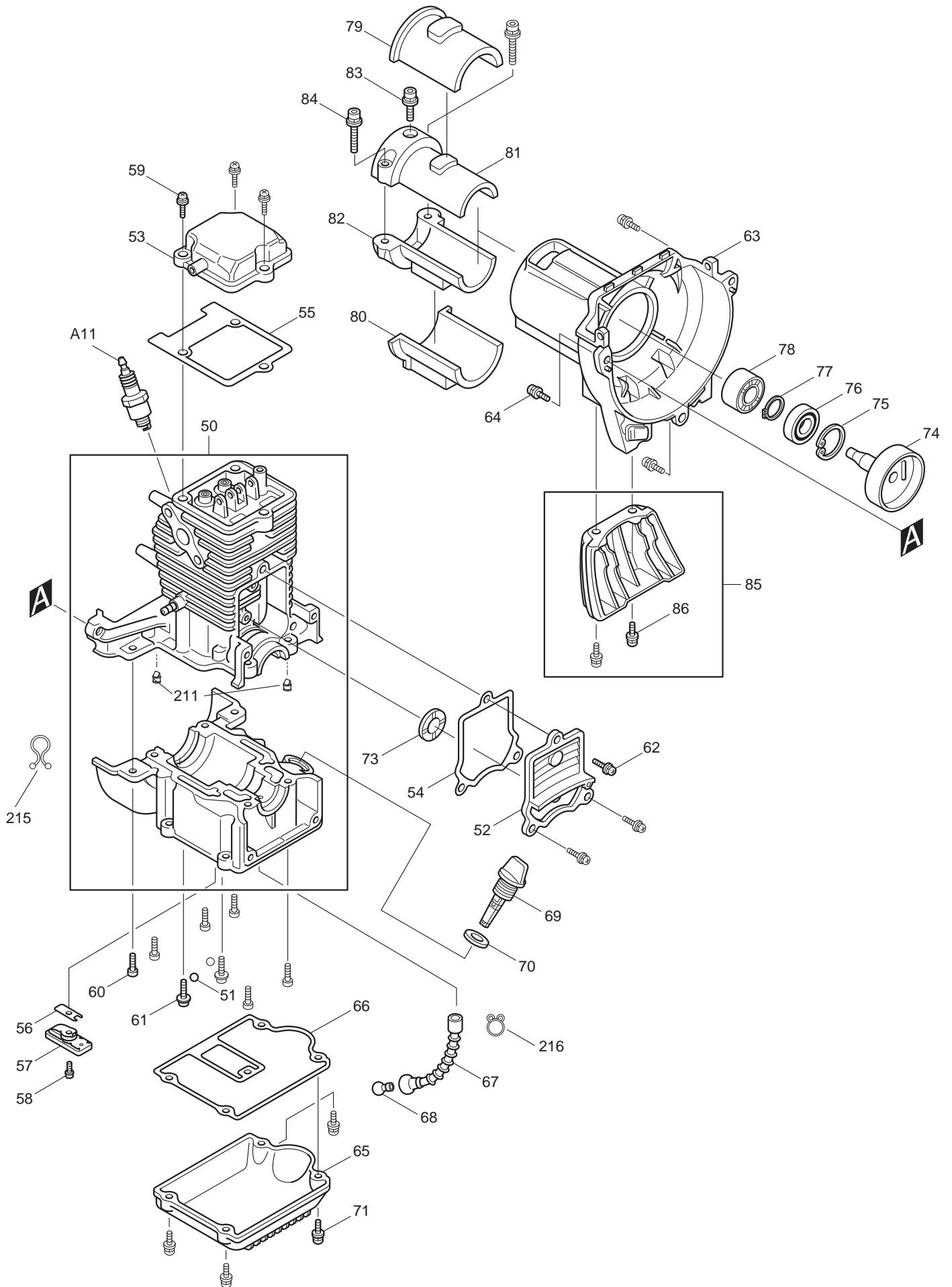


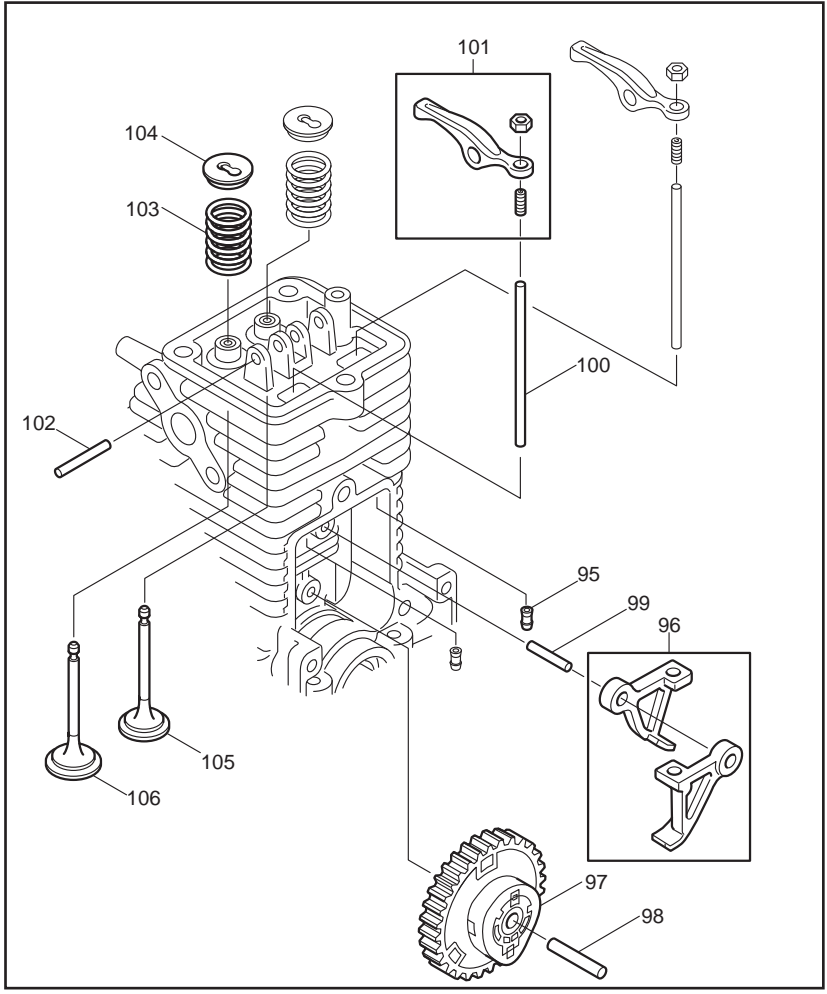
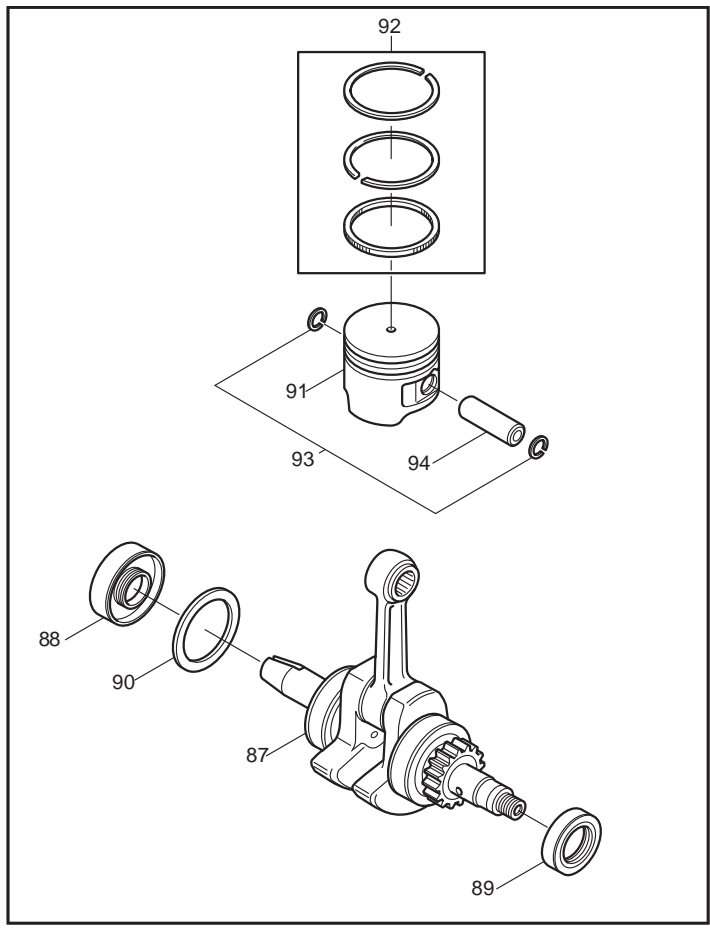
10 - 2010
EM4250 / EM4250CA
4 STROKE BRUSH CUTTER



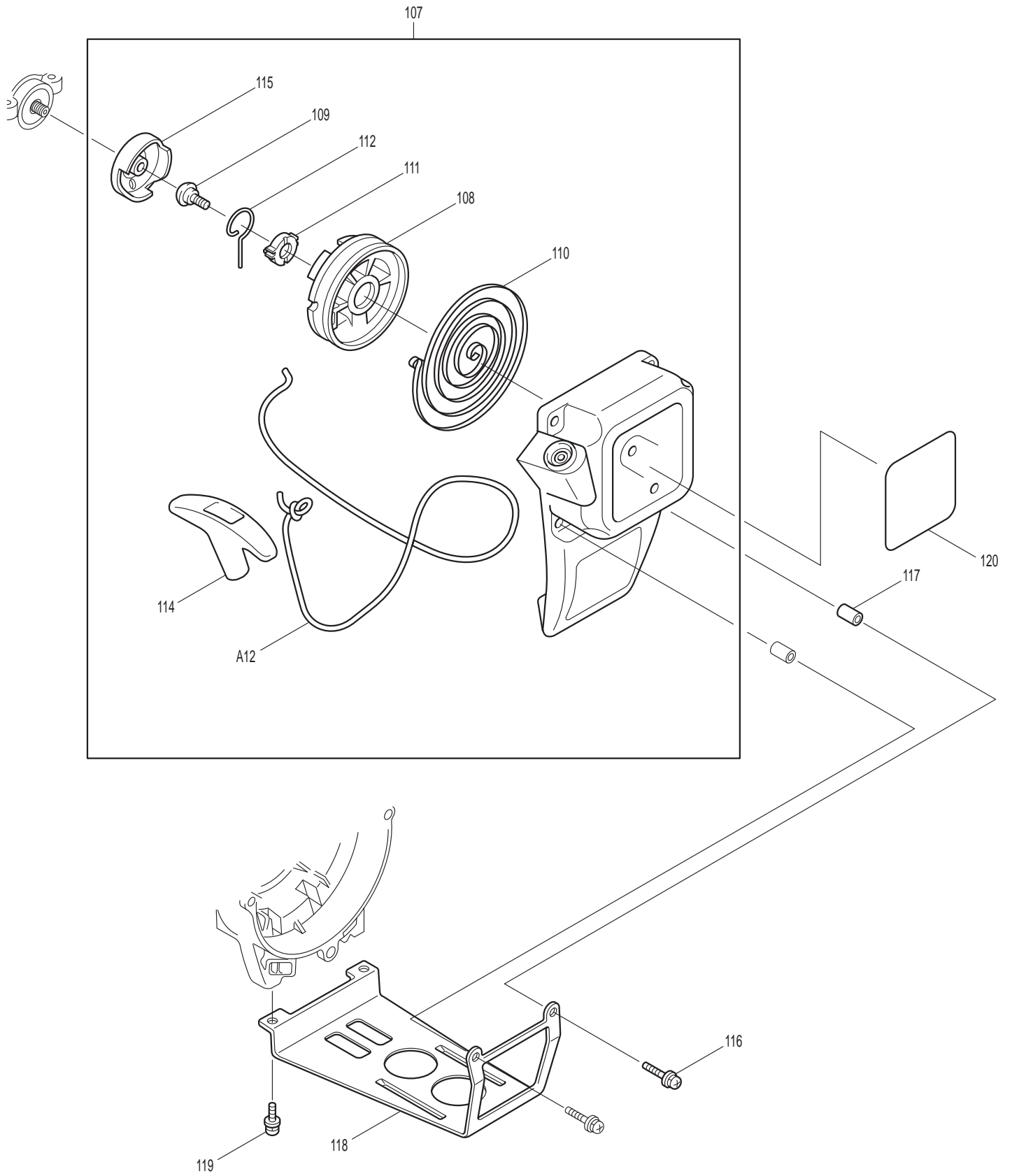
Part No. 6245002000 (Item No. 16)
CONTROL LEVER ASSEMBLY

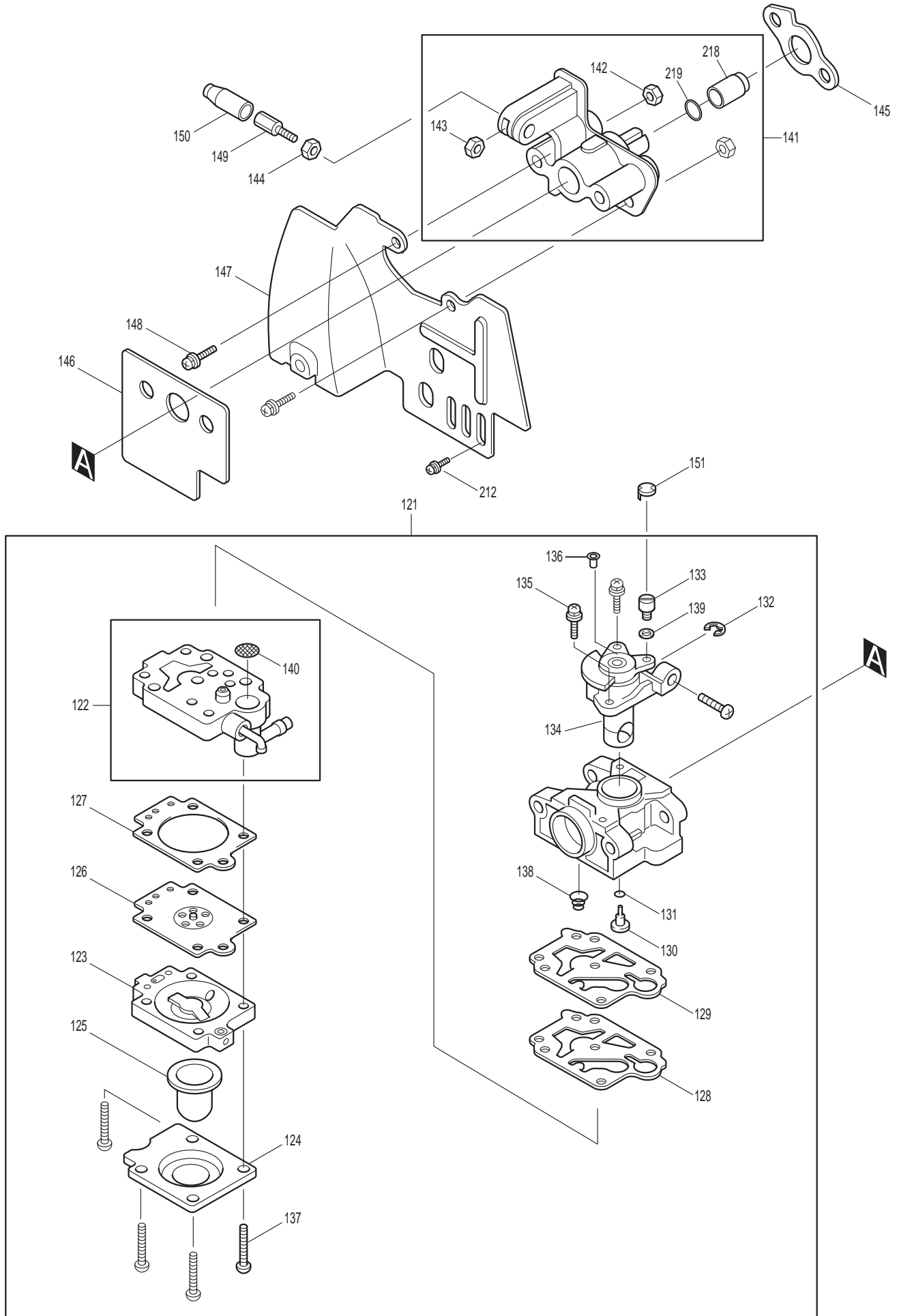


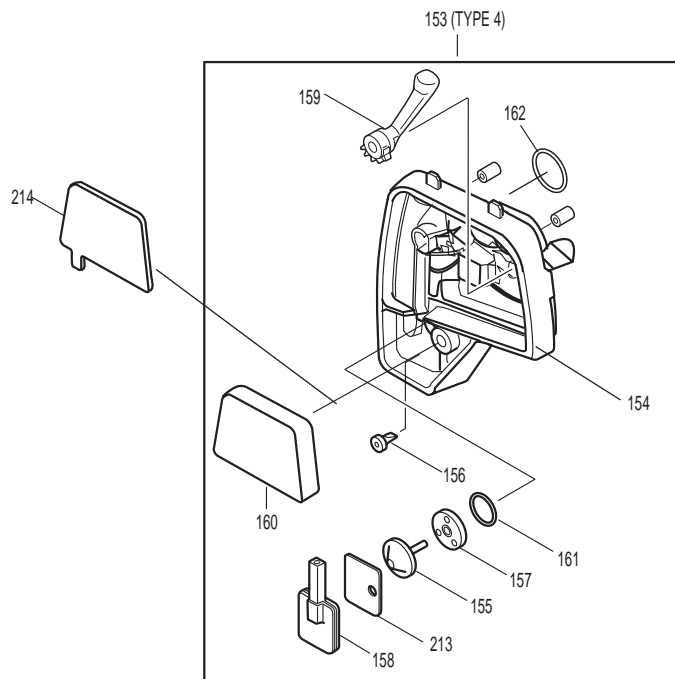
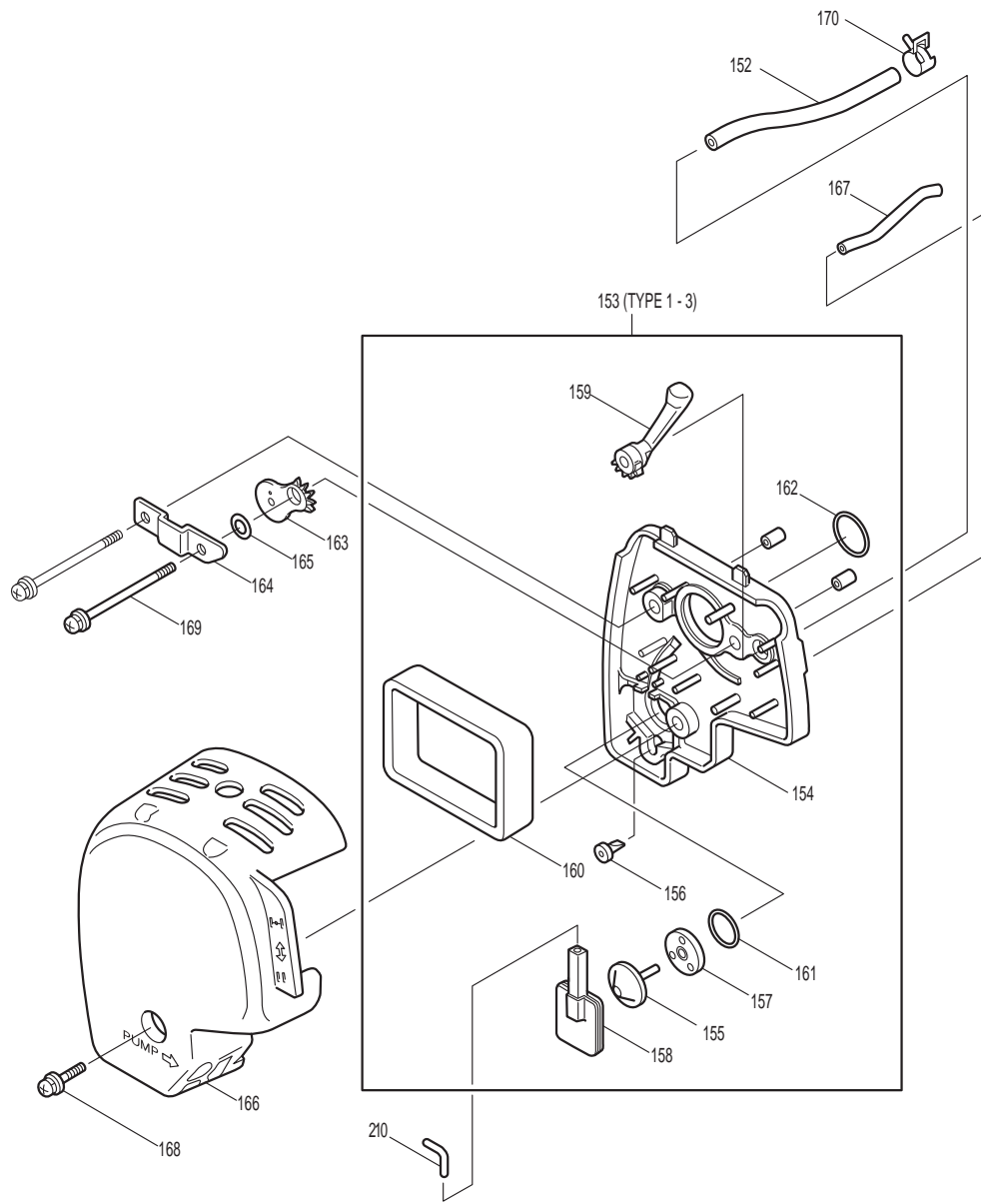


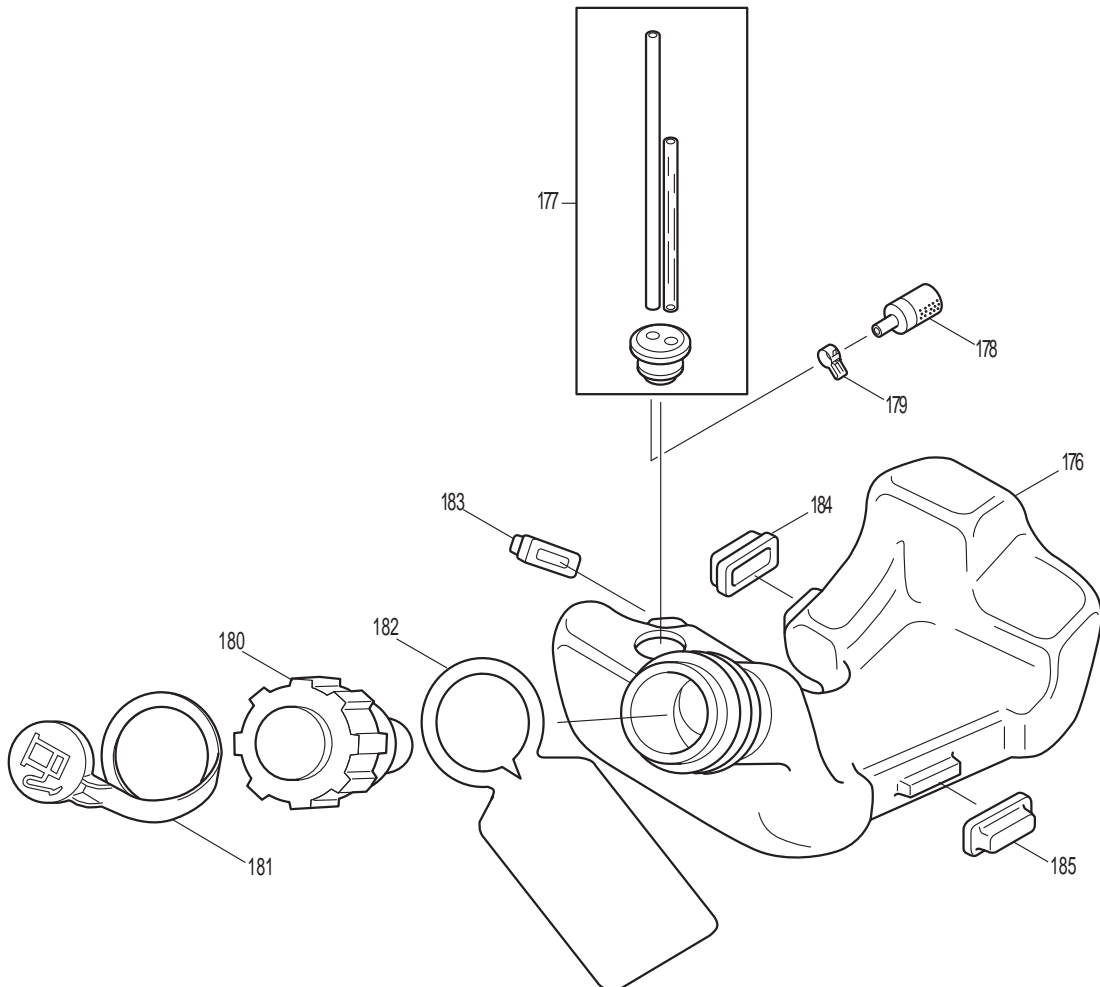
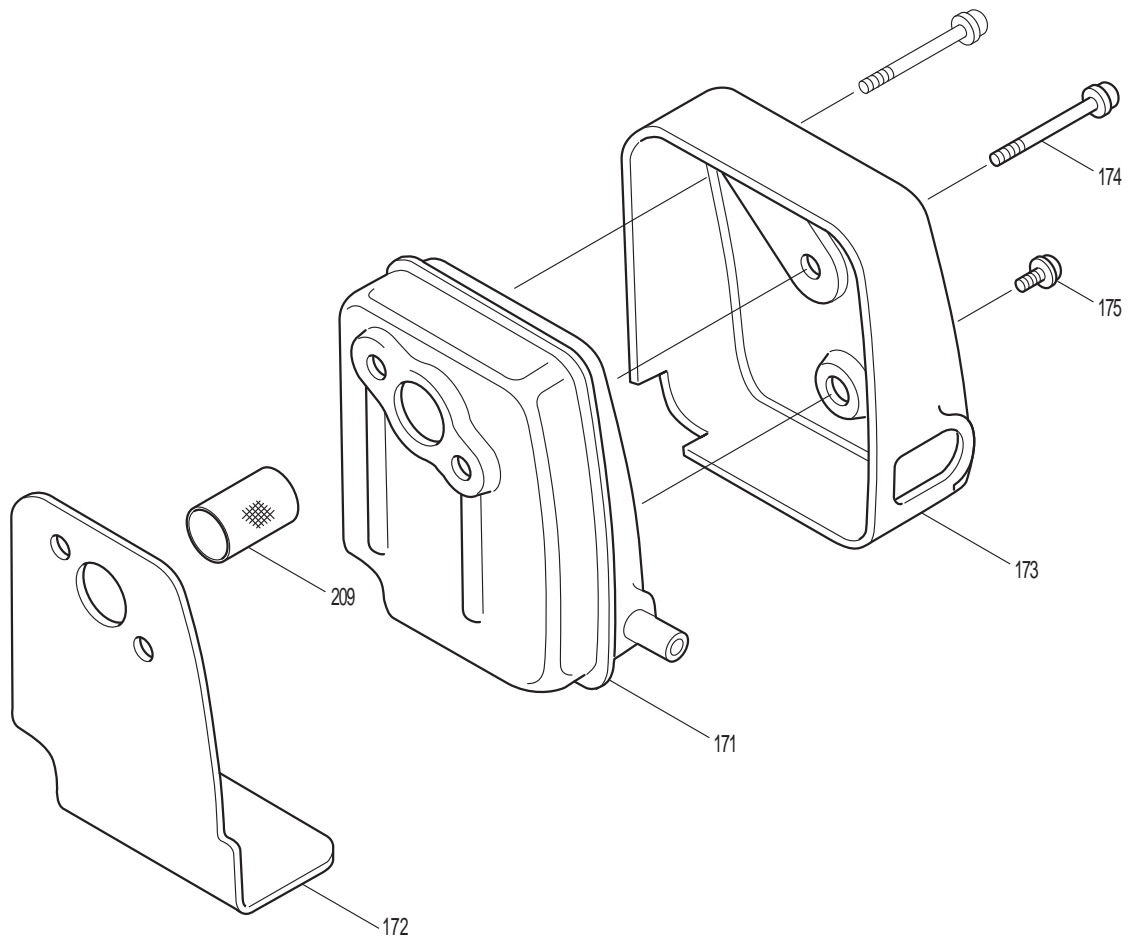


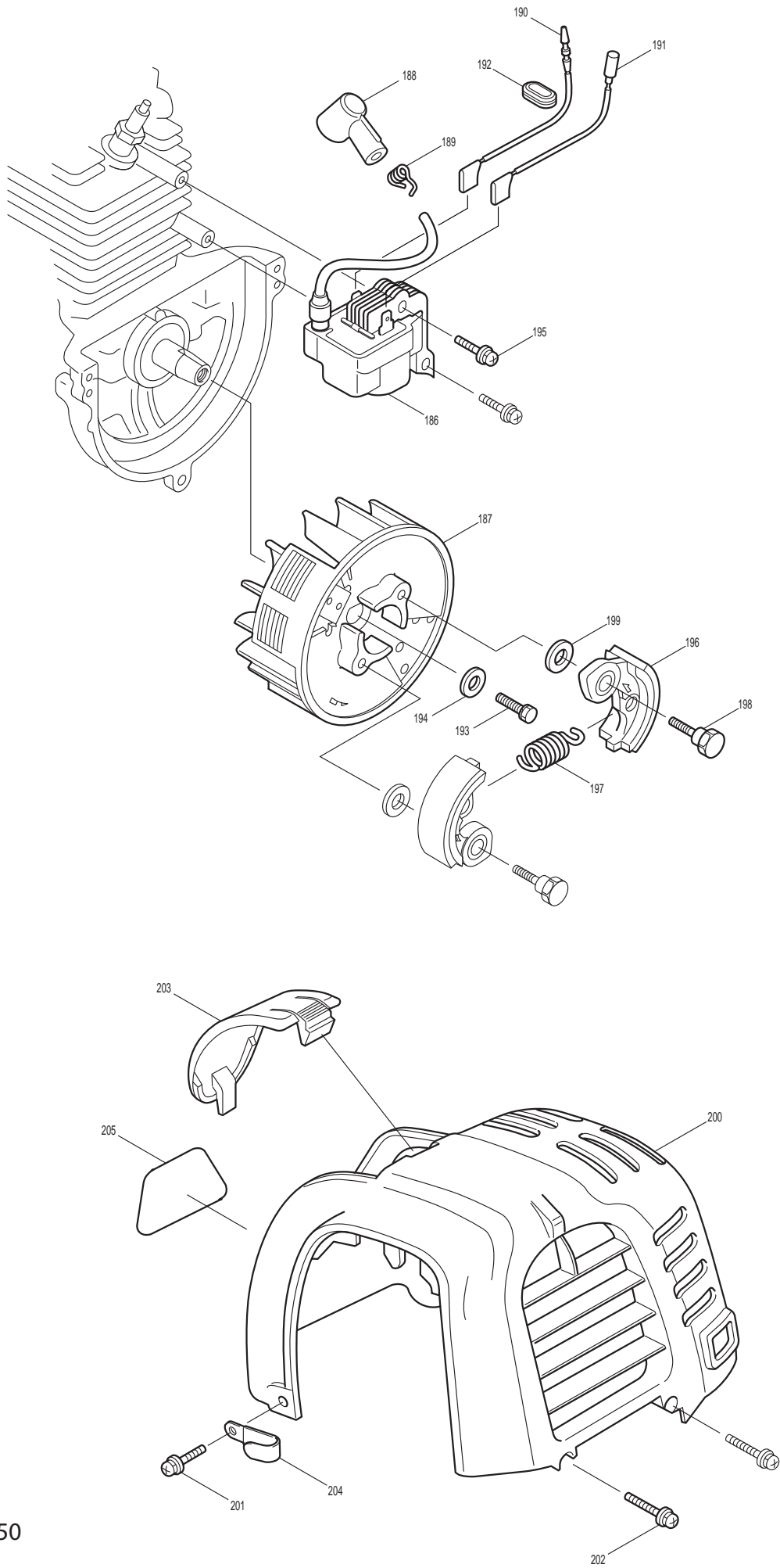
4 MODEL EM4250











Item No	Type	Ref	Part No	S Description	Qty	Unit
1			6241003000	SHAFT PIPE COMPLETE	1	PC.
2			6191500401	SHAFT (OLD# 6191500400)	1	PC.
6			0043605400	PAN HEAD SCREW M5X40	2	PC.
7			002-18050-00	NUT M5	2	PC.
8			6254019000	HANGER ASS'Y	1	PC.
		INC.		Item No. 9	1	PC.
9			0043605200	SCREW & WASHER ASS'Y	1	PC.
10			6254500000	GRIP	1	PC.
11			6214501600	HANDLE	1	PC.
12			6214502000	HANDLE	1	PC.
13			6254007001	HANDLE HOLDER ASS'Y	1	PC.
		INC.		Item No. 14, 15	1	PC.
14			0119059890	SOCKET HEAD BOLT M5X25 (OLD# 0119059840)	4	PC.
15			0119059890	SOCKET HEAD BOLT M5X25	4	PC.
16			6245002000	CONTROL LEVER ASS'Y 9	1	PC.
		INC.		Item No. 41-49		
17	1		6213017003	GEAR CASE ASS'Y	1	PC.
		INC.		Item No. 18-32		
	2		6213017004	GEAR CASE ASS'Y - N/A	1	PC.
		INC.		Item No. 18-32		
	3		6243006002	GEAR CASE ASS'Y	1	PC.
		INC.		Item No. 18-32		
18			0119059890	SOCKET HEAD BOLT M5X25	1	PC.
19			6212500300	BALL BEARING #609ZZ	1	PC.
20	1		0031508000	OUTER SNAP RING (F/ GEAR CASE ASSY TYPE 1-2)	1	PC.
	3		6193006120	OUTER SNAP RING (F/ GEAR CASE ASSY TYPE 3)	1	PC.
21			0031424000	INNER SNAP RING	1	PC.
22			0600069990	BALL BEARING 626ZZ	1	PC.
23	1		6213021001	CUTTER SHAFT SET (F/GEAR CASE ASSY TYPE 1-2)	1	PC.
	3		6243008002	CUTTER SHAFT SET (F/GEAR CASE ASSY TYPE 3)	1	PC.
24			0600109910	BALL BEARING 6000DDU (OLD# 0600109930 - N/L/A)	1	PC.
25			0031426000	INNER SNAP RING	1	PC.
26			6218501601	RECEIVE WASHER	1	PC.
27			6218003001	CLAMP COMPL. WASHER (OLD# 6218003000 - N/L/A)	1	PC.
28			6258505001	NUT	1	PC.
29			6218500200	GUARD	1	PC.
30	1		0119059780	SOCKET HEAD BOLT M5X12 (F/GEAR CASE ASSY TYPE 1-2)	2	PC.
	3		0140059390	SCREW ASSEMBLY (F/GEAR CASE ASSY TYPE 3)	2	PC.
31			6253011012	OIL BOLT M6X9	1	PC.
32			0043105060	PAN HEAD SCREW	1	PC.
33			0119059490	SOCKET HEAD BOLT M5X14 (W,SW)	1	PC.
34	1		6249502300	CAUTION LABEL - N/L/A	1	PC.
	2		6249502301	CAUTION LABEL	1	PC.
35			6259514700	CAUTION LABEL	1	PC.
37			6418500303	PROTECTOR CLAMP	1	PC.
38			0011706300	BOLT M6X30	2	PC.
39			0150059940	TAPPING SCREW	1	PC.
41			6215022030	LEVER	1	PC.
42			6215023060	LEVER	1	PC.
43			6215023050	ADJUST COMPLETE	1	PC.
44			6245002010	WIRE SET	1	SET
		INC.		Item No. 45	1	PC.
45			6245002020	WIRE COMPLETE	1	PC.

Item No	Type	Ref	Part No	Si Description	Qty	Unit
46			6195006050	SPRING	1	PC.
47			0119059980	SOCKET HEAD BOLT M5X30	1	PC.
48			6215022040	NUT M5	1	PC.
49			6195006060	TAPPING SCREW M4X20	2	PC.
50	5		5921024000	* CYLINDER BLOCK SET	1	PC.
51			5921501200	* BALL (OLD) - N/L/A	2	PC.
52			5921500502	CAMGEAR COVER	1	PC.
53	1		5921004000	ROCKER COVER COM. - N/L/A	1	PC.
	2		5921004001	ROCKER COVER COM.	1	PC.
54			5921500700	CAMGEAR COVER GASKET	1	PC.
55			5921500800	ROCKER COVER GASKET	1	PC.
56			5921501000	REED VALVE	1	PC.
57			5921501100	RETAINER PLATE	1	PC.
58			0119049980	SOCKET HEAD BOLT M4X10	1	PC.
59	1		004-36051-60	SCREW ASS'Y M5X16 (W,SW)	3	PC.
	2		0119059531	SOCKET HEAD BOLT M5X16(WSW)	3	PC.
60			0119059510	SOCKET HEAD BOLT M5X14	6	PC.
61	1		0119059500	SOCKET HEAD BOLT M5X30 (W)	2	PC.
	2		0119059510	SOCKET HEAD BOLT M5X14	2	PC.
62	1		0043605140	SCREW ASS'Y M5X14	3	PC.
	2		0119059510	SOCKET HEAD BOLT M5X14	3	PC.
63			6241500203	CLUTCH CASE	1	PC.
64	1		004-36051-60	SCREW ASS'Y M5X16 (W,SW) - USE TYPE2 or TYPE3	3	PC.
	2		0140059350	SCREW ASS'Y M5X18 (W,SW)	3	PC.
	3		0119059470	SOCKET HEAD BOLT M5X16	3	PC.
65			5926500000	OIL CASE	1	PC.
66			5926500100	CASE GASKET	1	PC.
67			5926500200	OIL TUBE	1	PC.
68			5926500300	OIL WEIGHT	1	PC.
69			5926500600	OIL GAUGE	1	PC.
70	1		0213160020	GASKET 16DX23X1.2T	1	PC.
	2		0213169990	GASKET	1	PC.
71	1		0043605180	SCREW ASS'Y M5X18	4	PC.
	2		0119059510	SOCKET HEAD BOLT M5X14	4	PC.
73			5923503800	* WASHER (OLD) - N/L/A	1	PC.
74			6242003000	CLUTCH DRUM COMPLETE	1	PC.
75			0031432000	INNER SNAP RING	1	PC.
76			0600129950	BALL BEARING #6201DD/#6201 2RU	1	PC.
77			0031512000	OUTER SNAP RING	1	PC.
78			6241500300	SPACER	1	PC.
79			6241500401	PIPE DAMPER 1	1	PC.
80			6241500501	PIPE DAMPER 2	1	PC.
81			6241500601	PIPE BRACKET 1 (OLD# 6241500600 - N/L/A)	1	PC.
82			6241500701	PIPE BRACKET 2 (OLD# 6241500700 - N/L/A)	1	PC.
83			0119059900	SOCKET HEAD BOLT M5X12	1	PC.
84			0119059950	SOCKET HEAD BOLT M5X18	2	PC.
85			5219002000	STAND SET	1	PC.
		INC.		Item No. 86	1	PC.
86			0140059480	SCREW ASS'Y M5X14	2	PC.
87			5922003000	CRANK SHAFT ASS'Y	1	PC.
88			0440129960	OIL SEAL (L)	1	PC.
89			0440109970	OIL SEAL (S)	1	PC.
90			5421500500	CLIP	1	PC.

Item No	Type	Ref	Part No	Si Description	Qty	Unit
91			5922500900	PISTON	1	PC.
92			5922004000	PISTON RING SET	1	SET
93			0565089970	CLIP	2	PC.
94			5232502600	PISTON PIN	1	PC.
95			5921501400	SPACER	2	PC.
96			5923500001	CAM LIFTER	2	PC.
97	2		5933003000	* CAM GEAR ASS'Y (OLD#5923007000 - N/L/A)	1	PC.
98			5923500501	CAM GEAR SHAFT	1	PC.
99			5923500600	CAM LIFTER SHAFT	1	PC.
100			5923500700	PUSH ROD	2	PC.
101	2		5933002000	* ROCKER ARM ASS'Y (OLD# 5923002000)	2	PC.
102	2		5933500100	* ROCKER SHAFT (OLD#5933500100)	1	PC.
103			5923501200	VALVE SPRING	2	PC.
104			5923501300	SPRING RETAINER	2	PC.
105			5923501400	EXHAUST VALVE	1	PC.
106			5923501500	INTAKE VALVE	1	PC.
107			5925001002	STARTER COVER ASS'Y (OLD# 5925001001 - N/L/A)	1	PC.
		INC.		Item No. 108-112, A12, 114-115		
108			5925001030	REEL	1	PC.
109			5195002060	SET SCREW	1	PC.
110			5215002030	SPIRAL SPRING	1	PC.
111			5195002110	COLLAR	1	PC.
112			5195002100	SWING ARM	1	PC.
114			5225004020	HANDLE	1	PC.
115			5195500000	PULLEY	1	PC.
116			0043604250	SCREW ASS'Y M4X25	2	PC.
117			0230049940	SPACER	2	PC.
118			5929500800	TANK GUARD	1	PC.
119			0043605100	SCREW ASSEMBLY	2	PC.
120			6249501001	MODEL LABEL (OLD# 6249501000 - N/L/A)	1	PC.
121	1		5926008000	* CARBURETOR	1	PC.
		INC.		* Item No. 122-125, 126A, 127-129, 130A, 131-133, 135, 137-139		
	2		5926009000	* CARBURETOR	1	PC.
		INC.		* Item No. 122-125, 126A, 127-129, 130A, 131-133, 135, 137-139		
122	1		5926002060	* PUMP BODY ASS'Y	1	PC.
		INC.		* Item No. 140		
	2		5926002140	* PUMP BODY ASS'Y	1	PC.
		INC.		* Item No. 140		
123			5236046140	AIR PURGE BODY ASS'Y	1	PC.
124			5236046050	PRIMER PUMP COVER	1	PC.
125			5246001150	PRIMER PUMP	1	PC.
126			5926008010	METERING DIAPHRAGM ASS'Y	1	PC.
127			5236046040	METERING DIAPHRAGM GASKET	1	PC.
128			5246001040	PUMP DIAPHRAGM	1	PC.
129			5926002040	PUMP GASKET	1	PC.
130	1		5926002030	* JET	1	PC.
	2		5196002020	* JET	1	PC.
131			5246001010	O RING	1	PC.
132			5316005120	RING	1	PC.
133			5236018040	SWIVEL	1	PC.
134			5926002010	THROTTLE VALVE ASS'Y	1	PC.
135			5206008030	PAN HEAD SCREW	2	PC.
136			5206008110	PLUG	1	PC.

Item No	Type	Ref	Part No	Si Description	Qty	Unit
137			5236046010	PUMP COVER SCREW	4	PC.
138			5926002020	PUMP SPRING	1	PC.
139			5426005030	WASHER	1	PC.
140			5016004010	INLET SCREEN	1	PC.
141	4		5923016000	* INSULATOR COMPLETE	1	PC.
142	2		002-17050-00	* NUT M5 (OLD# 0170059980) (OLD)	2	PC.
143			002-27060-00	* NUT M6 (OLD)	1	PC.
144			002-27060-00	* NUT M6 (OLD)	1	PC.
145	2		5923504700	* INSULATOR GASKET (OLD 5923501801)	1	PC.
146	1		5923501900	CARBURETOR GASKET	1	PC.
	2		5923504000	CARBURETOR GASKET	1	PC.
147			5923502000	* CARBURETOR INSULATOR (OLD)	1	PC.
148	1		0043605180	SCREW ASS'Y M5X18	2	PC.
	2		0119059870	SOCKET HEAD BOLT M5X18	2	PC.
149			0149069972	ADJUST SCREW (OLD# 0149069970 - N/L/A)	1	PC.
150			5246004150	CAP	1	PC.
151			5259500300	CAP	1	PC.
152			5921500900	BREATHER PIPE	1	PC.
153	4		5933001000	* CLEANER PLATE ASS'Y (OLD 5923004003)	1	PC.
		INC.		* Item No. 154-162		
154	4		5933005000	* AIR CLEANER PLATE COMPLETE (OLD 5923006002)	1	PC.
155			5316500701	CHECK VALVE	1	PC.
156			5923502400	CHECK VALVE (1)	1	PC.
157			5923502500	CHECK VALVE PLATE	1	PC.
158	2		5933501600	* SEPARATOR PLATE (OLD# 5923503300 - N/L/A)	1	PC.
159			5923502200	CHOKE LEVER	1	PC.
160	2		5933501200	* AIR CLEANER ELEMENT(SPONGE) (OLD# 5923503200)	1	PC.
161			0240139970	O RING P14	1	PC.
162			0240159990	O RING P15	1	PC.
163			5923502301	CHOKE PLATE (OLD# 5923502300)	1	PC.
164			5923502600	PLATE	1	PC.
165			0213069990	GASKET	1	PC.
166	2		5933500800	* AIR CLEANER COVER (OLD# 5923502700)	1	PC.
167			5923503001	PIPE	1	PC.
168			0140059480	SCREW ASS'Y M5X14	1	PC.
169			5923503100	SCREW M5X68 (W,SW SUS)	2	PC.
170			0561080010	HOSE CLAMP	1	PC.
171			5923001000	EXHAUST MUFFLER	1	PC.
172			5923501601	MUFFLER GASKET	1	PC.
173			5923503400	MUFFLER COVER	1	PC.
174			0119059520	SOCKET HEAD BOLT M5X40	2	PC.
175			0140059962	SCREW M5X6 (USE 014-00599-62)	1	PC.
175			014-00599-62	SCREW M5X6	1	PC.
176			5926500400	FUEL TANK	1	PC.
177			5926003000	TUBE	1	PC.
178			5236503900	FILTER	1	PC.
179			0561059990	HOSE CLAMP	1	PC.
180	2		5926012000	* FUEL TANK CAP (OLD# 5926006001 - N/L/A)	1	PC.
181	2		5256067000	* STRAP (OLD# 5926005000 - N/L/A)	1	PC.
182			6249501501	STRAP	1	PC.
183			5036500200	PLATE	1	PC.
184			5036500300	PLATE	1	PC.
185	1		5196500301	DAMPER	1	PC.

Item No	Type	Ref	Part No	St Description	Qty	Unit
	2		5196500302	DAMPER	1	PC.
186	1		5927001010	IGNITION COIL	1	PC.
	2		5927012010	IGNITION COIL	1	PC.
	3		5927012011	IGNITION COIL	1	PC.
187	1		5927001020	FLYWHEEL	1	PC.
	2		5927001021	FLYWHEEL	1	PC.
188			5927500100	PLUG CAP	1	PC.
189			065-40099-31	PLUG CAP SPRING	1	PC.
190			5927003000	WIRE COMPLETE	1	PC.
191			5257018001	WIRE COMPLETE	1	PC.
192			5257500300	* GROMMET (OLD)	1	PC.
193			0011306160	BOLT ASS'Y	1	PC.
194			0031206000	WASHER	1	PC.
195	2		0043704200	SCREW ASS'Y M4X20 (OLD# 0140049920)	2	PC.
	3		0119049970	SOCKET HEAD BOLT	2	PC.
196			5928500000	CLUTCH SHOE	2	PC.
197			5928500100	SPRING	1	PC.
198			5928500200	CLUTCH BOLT	2	PC.
199			5928500300	WASHER	2	PC.
200			5925500800	CYLINDER COVER	1	PC.
201			0043605100	SCREW ASSEMBLY	2	PC.
202			0043604160	SCREW M4X16(W,SW)	2	PC.
203			5927500000	PLUG COVER	1	PC.
204			0566059980	CLAMP	1	PC.
205			5929501001	TRADE MARK LABEL	1	PC.
206			6258508200	PROTECTOR CLAMP (OLD# 6278500601 - N/L/A)	1	PC.
207			0011706300	BOLT M6X30	2	PC.
209	1		5923008010	SPARK ARRESTOR	1	PC.
	2		5923008011	SPARK ARRESTOR	1	PC.
210			5923503900	* PIPE (OLD)	1	PC.
211			5921501800	* CHECK VALVE (ADDED)	2	PC.
212	1		0043605100	* SCREW ASSEMBLY (ADDED)	1	PC.
	2		0119059780	* SOCKET HEAD BOLT M5X12	1	PC.
213			5923503500	* GASKET SEPARATOR (ADDED)	1	PC.
214			5933500900	* AIR CLEANER ELEMENT (ADDED)	1	PC.
215			5926501300	* CLAMP (ADDED)	1	PC.
216			0561059970	* HOSE CLAMP (ADDED)	1	PC.
218			5923504600	* INTAKE PIPE (ADDED)	1	PC.
219	1		0062610101	* O RING (ADDED)	1	PC.
	2		213078-6	* ORING 10	1	PC.

ACCESSORIES

- See catalogue or visit www.makita.ca for more accessories information -

A01	1		6247001001	BAND ASS'Y	1	PC.
	2		123143-2	BAND ASS'Y	1	PC.
A02	1		B-01878	9" STAR BLADE 4T (1" ARBOR) - N/L/A	1	PC.
	2		B-14118	9" STAR BLADE 4T (1" ARBOR)	1	PC.
A03	1		6418500701	CUTTER COVER	1	PC.
	2		6418027000	CUTTER COVER (2PC/SET)	1	SET
A04			6249000000	TOOL SET	1	PC.
A05	1		0722105000	OIL BOTTLE	1	PC.
	2		0722104600	OIL BOTTLE	1	PC.
A06	1		6111502700	WIRE CLAMP	2	PC.
	2		450563-0	CLAMP	2	PC.

Item No	Type	Ref	Part No	Description	Qty	Unit
A07			6258060001	PROTECTOR ASS'Y (OLD# 6258047002)	1	PC.
		INC.		Item No. 6, 7, A08, A09		
A08			6258061001	PROTECTOR ASS'Y (OLD# 6258050000)	1	PC.
		INC.		Item No. 206, 207		
A09			6258053001	PROTECTOR COMPLETE (OLD# 6258049002)	1	PC.
A10			6258028002	PROTECTOR ASS'Y	1	PC.
		INC.		Item No. 37, 38	1	PC.
A11			0650109950	SPARK PLUG	1	PC.
A12			5925001050	STARTER ROPE	1	PC.
A13	Opt.		B-02945	ULTRA AUTO 4Y ASSY LH (PKG) (See Partsbreakdown "Trimmer Head")	1	PC.
A14	Opt.		B-60143	BUMP & FEED HEAD ASSY LH (PKG) (See Partsbreakdown "Trimmer Head")	1	PC.
A15	Opt		6218020001	BUMP&FEED HEAD ASSY LH (See Parts breakdown 6218020001)	1	PC.
A16	Opt		B-02951	TRIMMEDR HEAD, MANUAL (Component parts are not available)	1	PC.

SERVICE CHANGES:

1. Change on Cylinder Block Set etc.,

Item No.	Description	Type 1	Type 2	Type 3	Type 4	Type 5	Type 6
Closing Information (T/ #)		Y04088	Y04529, Y04269	Y05062	Y05305	Y05600	
50	Cylinder Block Set	5921005001 (N/L/A)	5921005002 (N/L/A)	5921005003 (N/A)	5921005004 (N/L/A)	5921024000	
51	Ball (Old)	5921501200 (N/L/A)	-----				
211	Check Valve (Added)	-----	5921501800				
158	Separator Plate	5923503300 (N/L/A)	5933501600				
213	Separator Gasket (Added)	-----	5923503500				
153	Cleaner Plate	5923004002 (or 5923004001)	5923004003	5933001000			
154	Air Cleaner Plate Com.	5923006001 (or 5923006000)	5923006002	5933005000			
160	Air Cleaner Element	5923503200		5933501200			
166	Air Cleaner Cover	5923502700		5933500800			
210	Pipe	5923503900		-----			
214	Air Cleaner Element	-----		5933500900			
212	Screw Assy (Added)	-----	0043605100			0119059780	
101	Rocker Arm Assy	5923002000		5933002000			
102	Roker Shaft	5923501101		5933500100			
122	Pump Body Assy	5926002060		5926002140			
215	Clamp (Added)	-----		5926501300			
216	Hose Clamp (Added)	-----		0561059970			
141	Insulator Complete	5923005002 (or 5923005000 / 5923005001)				5923016000	
142	Nut M5 (Old)	0021705000				-----	
143	Nut M6 (Old)	0022706000				-----	
144	Nut M6 (Old)	0022706000				-----	
145	Insulator Gasket	5923501801				5923504700	
147	Carburetor Insulator (Old)	5923502000				-----	
192	Grommet (Old)	5257500300				-----	
218	Intake Pipe (Added)	-----				5923504600	
219	O Ring (Added)	-----				0062610101	213078-6

Above parts are completely interchangeable as a set.

2. Change on Cam Gear Assy

Item No.	Description	Type 1	Type 2
73	Washer	5923503800 (N/L/A)	-----
97	Cam Gear Assy	5923007000 (N/L/A)	5933003000

Above parts are completely interchangeable as a set.

3. Change on Fuel Tank Cap Assy and Strap Unit

Item No.	Description	Type 1	Type 2
180	Fuel Tank Cap Assy	5926006001	5926012000
181	Strap Unit	5926005000	5256067000

Above parts are completely interchangeable as a set.

4. Change on Carburetor and Jet

Item No.	Description	Type 1	Type 2
121	Carburetor	5926008000	5926009000
130	Jet	5926002030	5196002020