

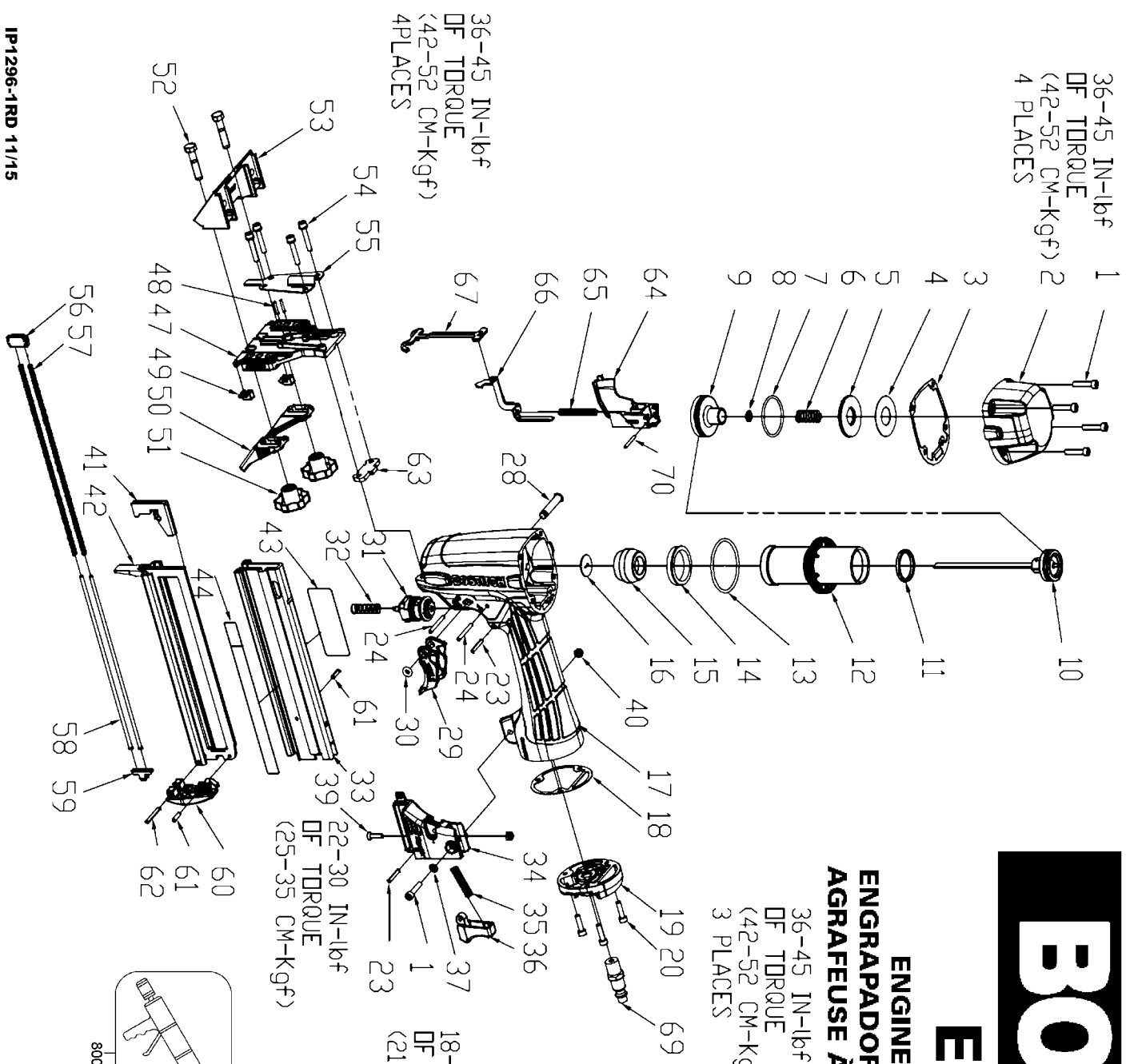
BOSTITCH®

EHF1838K

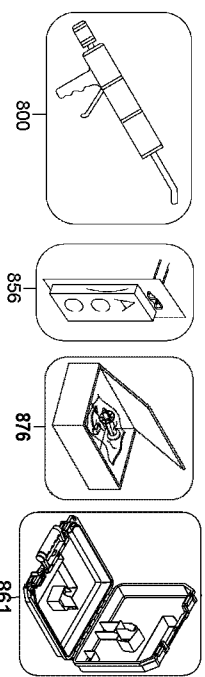
ENGINEERED FLOORING STAPLER
ENGRAPADORA PARA DUELA DE INGENIERÍA
AGRAFEUSE À PLANCHER PROFESSIONNELLE

36-45 IN-lbf
 DF TORQUE
 (42-52 CM-Kgf)
 3 PLACES

36-45 IN-lbf
 DF TORQUE
 (42-52 CM-Kgf)
 4 PLACES



18-25 IN-lbf
 DF TORQUE
 (21-39 CM-Kgf)
 3 PLACES



Parts List for EHF1838K Type 161200001 and higher

Item Number	Part Number	Description	Qty Required
1	182237	SCREW	5
2	9R207412	CAP	1
3	175682	GASKET-FRAME/CAP	1
4	180445	PLATE	1
5	180446	SEAL	1
6	180447	SPRING	1
7	180448	O RING	1
8	180449	WASHER FLAT	1
9	180450-S	HEAD VALVE BODY	1
10	180205-K	ASSEMBLY-PISTON/DRIV	1
11	180457	RING-PISTON	1
12	180458	SLEEVE-CYLINDER	1
13	180459	O-RING-44.7MMX2.4MM	1
14	180460	CHECK SEAL	1
15	180461	BUMPER	1
16	180462	DRIVER GUIDE	1
17	175656	FRAME-OVERMOLD	1
18	180463	GASKET-END CAP	1
19	180465	END CAP	1
20	MSC4070-16	SCREW-SHCS-M4X0.7X16	3
23	180475	PIN-SPRING-M3X20MM	2
24	174345	PIN SPRING	2
28	182182	PIN TRIGGER	1
29	181956	TRIGGER ASSY.	1
30	182181	O-RING	1
31	TVA21	TRIGGER VALVE KIT	1
32	180476	SPRING-TRIGGER	1

Parts List for EHF1838K Type 161200001 and higher

Item Number	Part Number	Description	Qty Required
33	180192	MAGAZINE-FIXED-MACHI	1
34	181914	BRACKET-MAGAZINE	1
35	180528	SPRING	1
36	180529	LATCH	1
37	180504	WASHER, FLAT	1
39	174307	SCREW-SFHCS-M4X0.7X1	1
40	MHE4070-100	ELASTIC STOP NUT-M4	1
41	180198	PUSHER	1
42	180206	ASSEMBLY-MAGAZINE CO	1
43	180296	LABEL-WARNING	1
44	188683	LABEL	1
47	180636	NOSE-MACHINING	1
48	180490	PIN SPRING	2
49	181932	NOSE INSERT	2
50	158443	FOOT-ADJUSTABLE	1
51	188684	KNOB-M6X1.0	2
52	117398	SCREW-HHCS-M6X1.0X30	2
53	188697	GUIDE- BLOCK	1
54	121052	SCREW-SHCS-M4X0.70X2	4
55	180637	COVER TRIP	1
56	180199	GUIDE-SLIDING	1
57	180527	SPRING	2
58	180526	ROD-SPRING GUIDE	2
59	180200	SUPPORT-SLIDING GUID	1
60	180201	END CAP-MAGAZINE	1
61	MPG030012	PIN SPRING	1
62	180567	PIN SPRING	1

Parts List for EHF1838K Type 161200001 and higher

Item Number	Part Number	Description	Qty Required
63	180208	PLATE-DRIVER	1
64	180641	GUIDE-LOWER CONTACT	1
65	180646	TRIP SPRING	1
66	180639	TRIP-UPPER	1
67	189986	CONTACT ARM	1
69	BTFP72333	PLUG	1
70	189882	PIN,SOLID	1
800	100679	LUBE (1LB.CAN)	1
800	100653	LUBE (2CC)	1
856	SX50351-1/8G	STAPLES	1
856	SX50351-3/8G	STAPLES	1
856	SX503511/2G	STAPLES	1
856	102341	BLOCK-INSTALLATION	1
856	SX50351-1/4G	CROWN FINISH STAPLES	1
856	SX50351G	STAPLES	1
861	188685	BLOW MOLDED CASE	1
876	000000-00	No Longer Available	1