

***Tanaka***

**Parts Catalog**

**Cut-Off Saw**

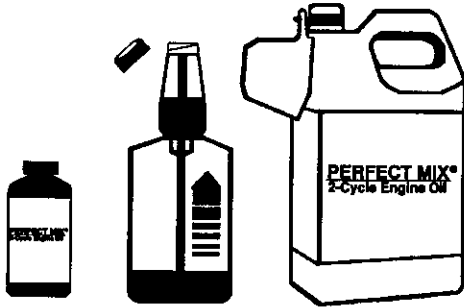
**Model: EHC-120**

Part # 12176 10-10-96

# EHC-120

## OPTIONS AND ACCESSORIES

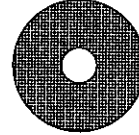
### PERFECT MIX® 2-Cycle Engine Oil



- 700109 2.8 oz. Bottle, 1 Gallon Size (24\*)
  - 700108 16 oz. Self-measuring Bottle (24\*)
  - 700110 1 Gallon Jug Commercial Size (6\*)
- \* Case Quantity

### MANUALS / CATALOGS

- |       |                |
|-------|----------------|
| 00124 | Owner's Manual |
| 12176 | Parts Catalog  |

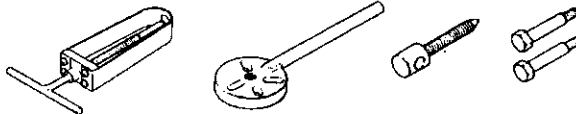


### 12" Cutting Discs

- 63034 Steel
- 63042 Concrete

### SPECIAL TOOLS

- |               |                    |               |                 |
|---------------|--------------------|---------------|-----------------|
| 006-29326-000 | Flywheel Remover   | 001-29000-000 | Tachometer      |
| 009-29111-080 | Piston Pin Remover | 070-2000W-500 | Pressure Tester |
| 889-32600-200 | Rotor Locator Pin  | 070-2000W-501 | Carb. Tool Kit  |
| 890-32600-200 | Clutch Remover     |               |                 |



# FIG. 1 ENGINE

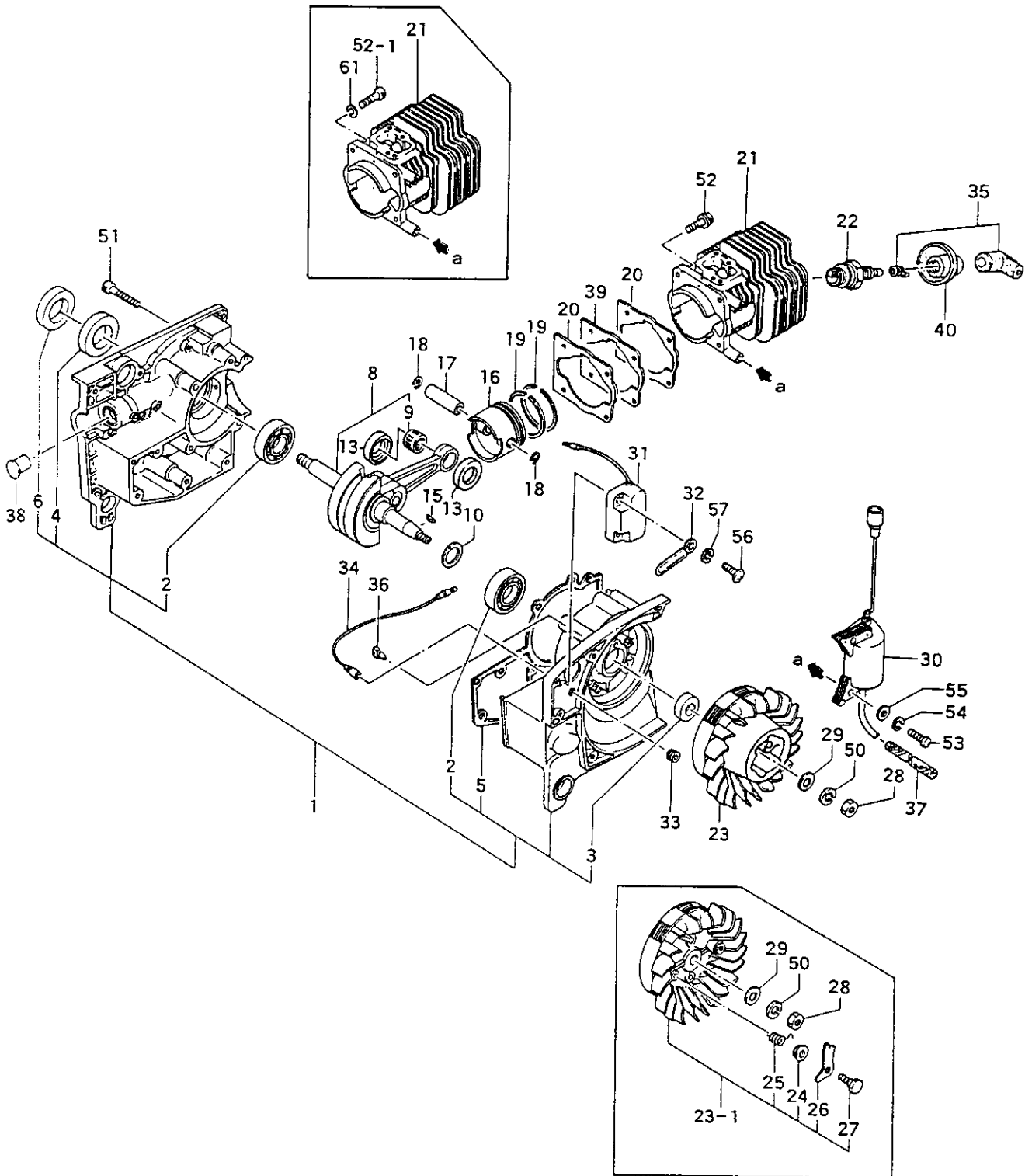


FIGURE 1

## EHC-120 PARTS LISTING

REF.	PART NO.	PART DESCRIPTION	Q	C	S	SERIAL NO.	REMARKS
1	072-11622-910	CRANKCASE,ASS'Y	1		D		Includes bearings, seals & gasket
2	999-61620-206	BEARING,BALL,#6202a12	2		C		
3	999-66122-240	SEAL,OIL,12227	1		A		
4	999-66253-512	SEAL,OIL,#25356	1		C	~G148808	
4	999-66253-500	SEAL,OIL,#25357	1		C	G148809~	
5	090-11650-200	GASKET,CRANKCASE	1		C		
6	999-66253-516	SEAL,OIL,#25355	1		C		
8	046-11622-800	CRANKSHAFT	1		D	~K003550	
8	046-11622-810	CRANKSHAFT	1		D	K003551~	
9	999-62121-631	BEARING,NEEDLE	1		C	~K003550	
9	999-62121-639	BEARING,NEEDLE,KTV12162	1		C	K003551~	
10	071-11600-230	SHIM,16X21X.20	1		D		Shims are "as needed" to obtain correct c/s side clearance.
10	071-11600-240	SHIM,16X21X.30	1		D		
13	036-11666-200	COLLAR,PISTON PIN	2		C	K003551~	
15	068-10100-200	KEY,WOODRUFF,3X13X4.5	1		C		
16	031-11650-212	PISTON	1		C		
17	037-12000-200	PIN,PISTON,12X38.3	1		C		
18	039-12000-201	CIRCLIP,PISTON PIN	2		C		
19	041-11650-220	RING,PISTON	2		B		
20	017-11650-200	GASKET,CYLINDER	2		B		
21	002-11650-210	CYLINDER	1		C		
22	018-02233-200	PLUG,SPARK	1		D		
23-1	155-20752-902	ROTOR,MAGNETO ASS'Y	1		C	~N073450	
23	155-21738-80	ROTOR,MAGNETO	1		C	N073451~	
24	786-00601-200	WASHER,RECOIL STARTER	2		D	~E109841	
24	786-11620-200	WASHER,STARTER	2		C	~N073450	
25	790-11600-200	SPRING,STARTER PAWL	2		B	~N073450	
26	788-11600-210	PAWL,STARTER	2		C	~N073450	
27	793-10200-202	BOLT,STEP	2		C		
28	066-00601-200	NUT,FLYWHEEL	1		D		
29	065-00000-200	WASHER,FLYWHEEL	1		D		
30	167-21509-802	COIL,IGNITION	1		C		
31	159-21401-870	IGNITOR,TTI-ID	1		B	~F072595	
31	159-21411-870	IGNITOR,TTI-6D	1		C	F072596~	
32	198-05015-800	CLAMP,CORD	1		C		
33	203-04015-202	GROMMET,PRIMARY CORD	2		C		
34	173-11600-800	CORD,PRIMARY	1		C		
35	157-01570-900	CAP,SPARK PLUG,ASS'Y	1		C		
36	198-11600-200	CLAMP,CORD	1		D		

\* Indicates the part is included in a kit or assembly and is not available individually. Q=Quan. used C=Interchangeability S=Stocking code: A=Fast moving B=Med. fast C=Med. move D=Slow move E=N.L.A. F=Superseded or replaced by a new part

FIGURE 1 cont.

EHC-120 PARTS LISTING

REF.	PART NO.	PART DESCRIPTION	Q	C	S	SERIAL NO.	REMARKS
37	755-32600-200	TUBE,CORD INSULATOR	1		D		
38	053-32505-200	GROMMET	1		D		
39	027-11622-200	SPACER,CYLINDER	1		C	E109842~	
40	255-11650-200	COVER,SPARK PLUG	1		D		
50	992-10070-012	WASHER,S,7	1		D		
51	990-51050-303	BOLT,HEX,5X30	8		D		
52	994-61050-205	BOLT,HEX,5X20	4		C		
53	990-11040-181	SCREW,4X18	2		D		
54	992-10040-012	WASHER,S,4	2		B		
55	992-00040-011	WASHER,4	2		B		
56	990-11040-161	SCREW,4X16	2		A		
57	992-10040-012	WASHER,S,4	2		B		
61	992-10050-012	WASHER,S,5	4		A		

\* Indicates the part is included in a kit or assembly and is not available individually. Q=Quan. used C=Interchangeability S=Stocking code: A=Fast moving B=Med. fast C=Med. move D=Slow move E=N.L.A. F=Supersceded or replaced by a new part

# FIG.2 CUTTER ASS'Y & MUFFLER ASS'Y

The cutter ass'y can be assembled in this position for use on the opposite side of the machine.

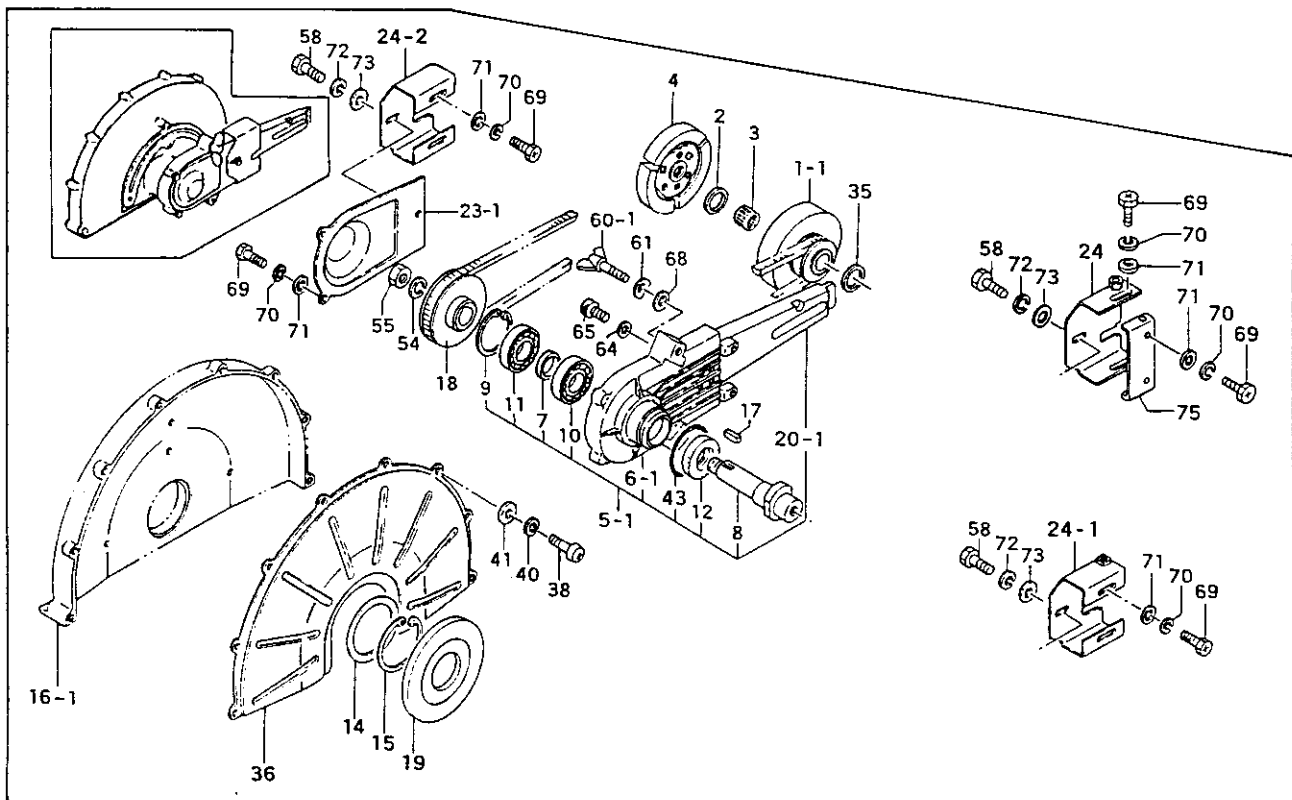
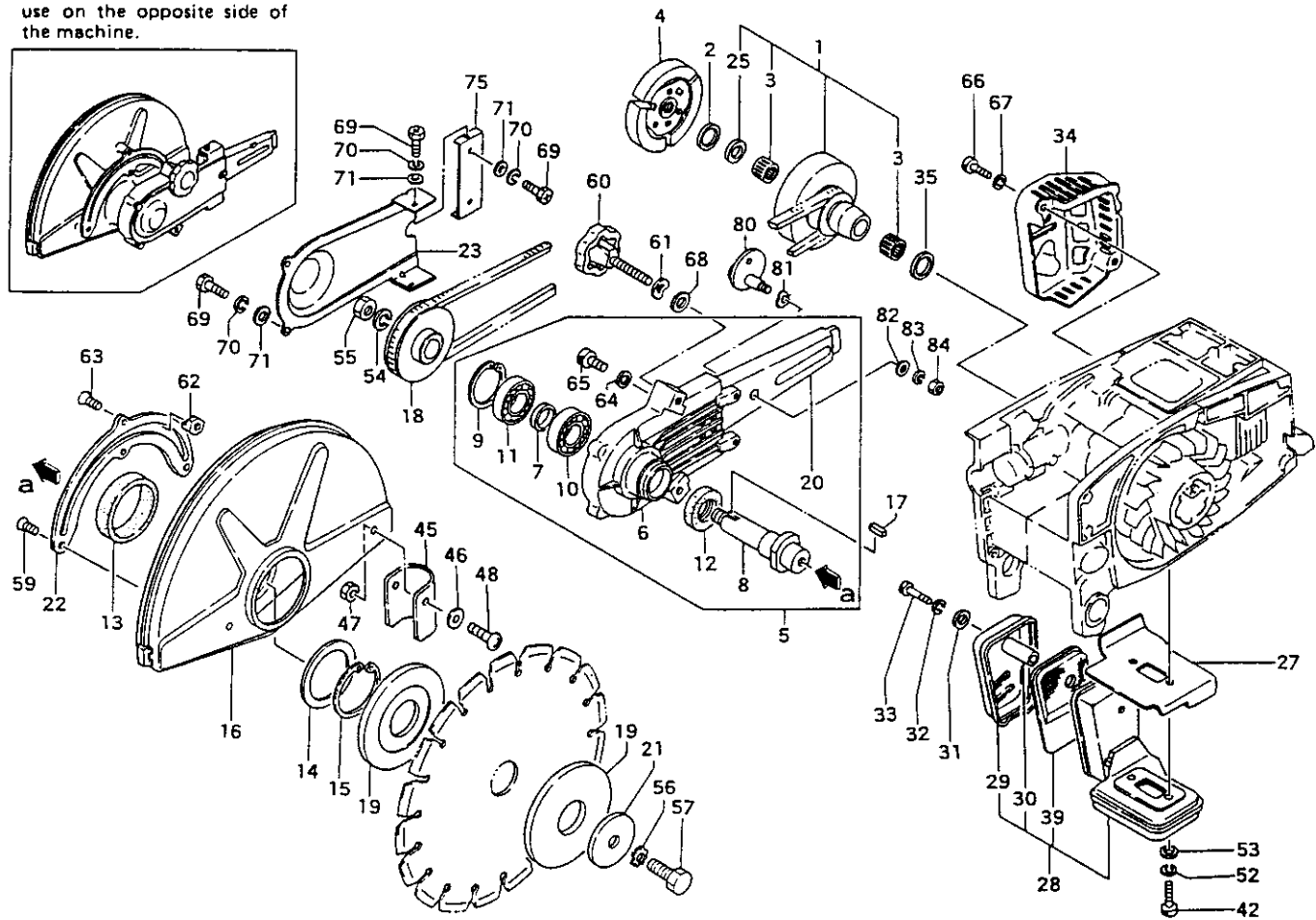


FIGURE 2

## EHC-120 PARTS LISTING

REF.	PART NO.	PART DESCRIPTION	Q	C	S	SERIAL NO.	REMARKS
1-1	310-32505-810	HOUSING,CLUTCH	1		D	~E109841	
1	310-32505-901	HOUSING,CLUTCH,ASS'Y	1		D	~J050532	
1	310-32511-900	HOUSING,CLUTCH,ASS'Y	1		D	J050533~	
2	358-11622-200	WASHER,CLUTCH	1		D	~E109841	
2	358-11600-200	WASHER,CLUTCH	1		D	E109842~	
3	999-62121-505	BEARING,NEEDLE	1		C	~E109841	
3	999-62121-811	BEARING,NEEDLE	2		D	E109842~	
4	287-11600-801	CLUTCH	1		D	~J050532	
4	287-11622-800	CLUTCH	1		D	J050533~	
5	019-32507-902	CASE,ASS'Y	1		D	~K204200	
5	019-3250A-900	CASE,ASS'Y	1		D	K204201~	
6	019-32507-201	CASE	1		D		
7	031-32507-200	COLLAR	1		D		
8	140-32507-210	SHAFT,BLADE	1		D		
9	993-51035-002	RING,IN,C-35,STOP	1		C		
10	999-61620-200	BEARING,BALL,#6202	1		B		
11	999-61620-203	BEARING,BALL,#6202D	1		D		
12	999-66183-200	SEAL,OIL,#18327	1		D		
13	030-32500-210	RING,RUBBER	1		D		
14	141-32505-200	WASHER,BLADE COVER	1		D		
15	993-50045-002	RING,STOP,EX,C45	1		D		
16-1	024-32507-800	COVER,BLADE	1		D	~L250377	
16	024-32511-80	COVER,BLADE	1		D	L250378~	
17	049-32500-200	KEY,SQUARE,5X5X12	1		D		
18	324-32507-200	PULLEY,V,B	1		D	~J090751	
18	324-32508-200	PULLEY,V,B	1		D	J090752~	
19	026-32507-202	FLANGE	2		D		
20-1	023-32507-000	ARM	1		D	~K118862	
20	023-32507-203	ARM	1		D	~K204200	
20	023-3250A-200	ARM	1		D	K204201~	
21	870-32507-200	WASHER,BLADE	1		D		
22	033-32505-211	GUIDE,SLIDE	1		D		
23-1	022-32507-200	COVER,BELT	1		D	~K204200	
23	022-3250C-200	COVER,BELT	1		D	K204201~	
24-1	017-32507-800	COVER,SLIDE	1		D	~J050532	
24	017-32507-810	COVER,SLIDE	1		D	J050533~	
25	999-66121-827	SEAL,OIL	1		D	E109842~	
27	744-11600-21	BRACKET,MUFFLER	1		C		
28	705-11653-910	MUFFLER,ASS'Y	1		D		

\* Indicates the part is included in a kit or assembly and is not available individually. Q=Quan. used C=Interchangeability S=Stocking code: A=Fast moving B=Med. fast C=Med. move D=Slow move E=N.L.A. F=Superseded or replaced by a new part

FIGURE 2 cont.

## EHC-120 PARTS LISTING

REF.	PART NO.	PART DESCRIPTION	Q	C	S	SERIAL NO.	REMARKS
29	717-11653-201	BODY,MUFFLER B	1		D		
30	740-11603-210	COLLAR,MUFFLER CLAMP 30	1		D		
31	368-32350-200	WASHER,BRAKE SHAFT	1		C		
32	992-10050-012	WASHER,S,5	1		A		
33	990-51050-453	BOLT,HEX,5X45	1		C		
34	738-11600-203	PROTECTOR,MUFFLER	1		C		
35	070-11622-200	WASHER,CRANKSHAFT	1		D	~E109841	
35	430-32505-200	WASHER,THRUST	1		D	E109842~	
36	037-32507-201	COVER,SIDE	1		D		
38	990-11050-121	SCREW,5X12	8		A		
39	732-11603-201	PLATE,PARTITION	1		D		
40	992-10050-012	WASHER,S,5	8		A		
41	992-01050-011	WASHER,5	8		A		
42	990-51050-353	BOLT,HEX.HOLE,5X35	2		C		
43	999-67050-001	O-RING,P-50	1		D		
45	054-32511-20	PROTECTOR	1		D	L202485~	
46	786-10200-200	WASHER,STARTER	2		D	L202485~	
47	991-78050-010	NUT,LOCK 5	2		C		
48	990-11050-121	SCREW,5X12	2		A		
52	992-10050-012	WASHER,S,5	2		A		
53	992-00050-011	WASHER,SMALL,5	2		C		
54	992-10100-012	WASHER,S,10	1		B		
55	991-74100-011	NUT,U,10	1		D		
56	992-21100-000	WASHER,OUTER TOOTHED 10	1		D		
57	990-21100-251	BOLT,10X25	1		D		
58	990-21060-151	BOLT,6X15	1		C		
59	990-12060-161	SCREW,FH,6X16	2		D		
60-1	990-60080-501	BOLT,WING,8X50	1		D	~E175650	
60	045-32507-800	KNOB	1		D	E175651~	
61	992-05080-030	WASHER,8	1		C		
62	856-32506-202	NUT,SPECIAL	1		D	~F072595	
62	856-32507-200	NUT,SPECIAL	1		D	F072596~	
63	990-12050-151	SCREW,FH,5X15	2		C		
64	992-10060-062	WASHER,S,6	4		A		
65	990-51060-203	BOLT,HEX.HOLE,6X20	4		D		
66	990-51050-103	BOLT,HEX.HOLE,5X10	1		C		
67	992-00050-011	WASHER,SMALL,5	1		C		
68	992-01080-011	WASHER,8	1		A		
69	990-23050-121	BOLT,5X12	6		D		

\* Indicates the part is included in a kit or assembly and is not available individually. Q=Quan. used C=Interchangeability S=Stocking code: A=Fast moving B=Med. fast C=Med. move D=Slow move E=N.L.A. F=Superseded or replaced by a new part



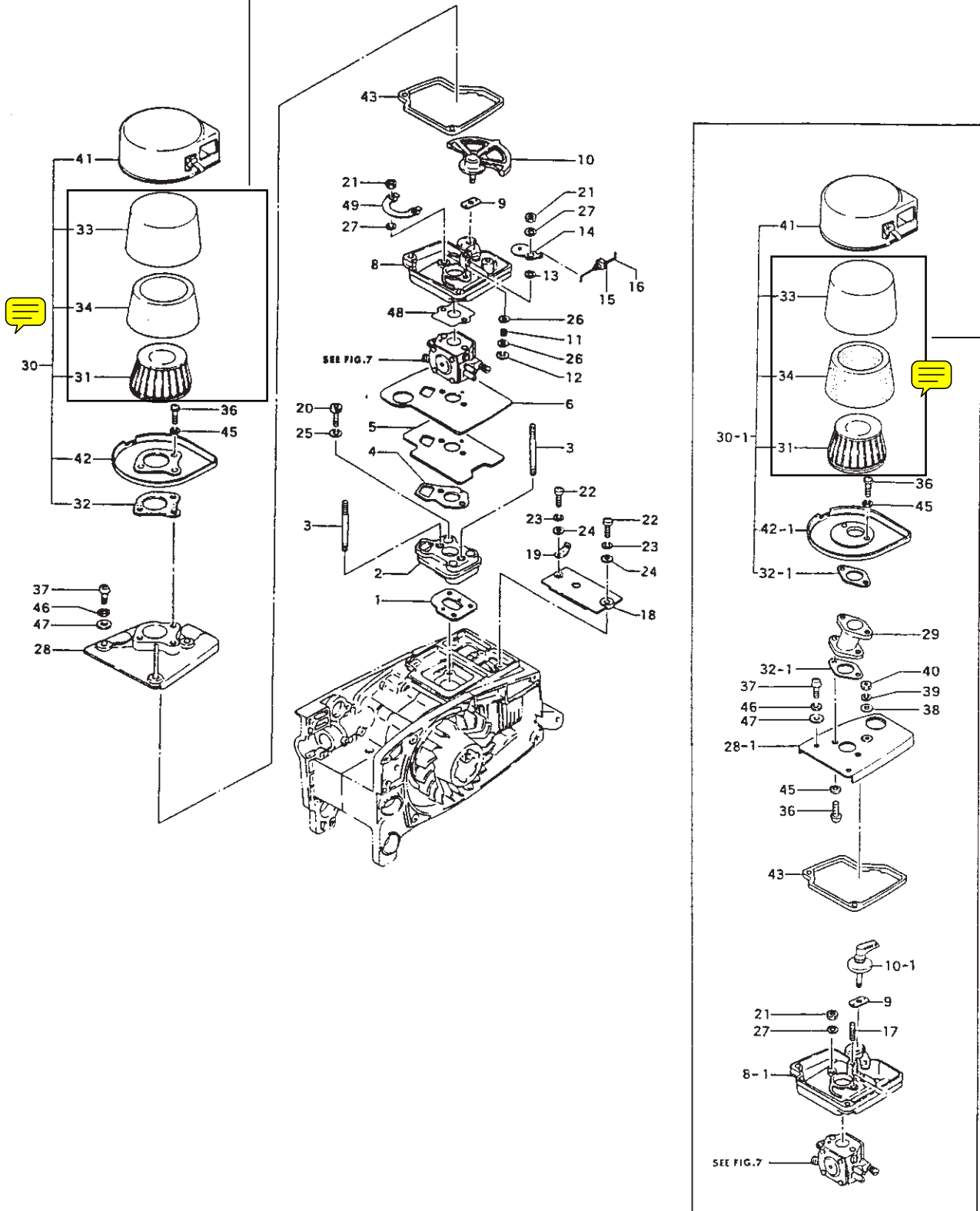
**EHC-120 PARTS LISTING**

REF.	PART NO.	PART DESCRIPTION	Q	C	S	SERIAL NO.	REMARKS
70	992-10050-012	WASHER,S,5	6		A		
71	992-01050-011	WASHER,5	6		A		
72	992-10060-012	WASHER,S,6	1		A		
73	992-01060-011	WASHER,6	1		A		
75	037-32508-200	COVER,SIDE	1		D	J050533~	
80	119-3250A-801	TENSIONER	1		D	K204201~	
81	992-05080-030	WASHER,8	1		C	"	
82	359-02103-200	WASHER,CLUTCH,B	1		B	"	
83	992-10060-012	WASHER,S,6	1		A	"	
84	991-01060-011	NUT,6	1		A	"	

\* Indicates the part is included in a kit or assembly and is not available individually. Q=Quan. used C=Interchangeability S=Stocking code: A=Fast moving B=Med. fast C=Med. move D=Slow move E=N.L.A. F=Superseded or replaced by a new part

# FIG.3 AIR CLEANER & CARBURETOR

Air Filter Kit  
40865



Air Filter Kit  
40865

SEE FIG. 7

FIGURE 3

## EHC-120 PARTS LISTING

REF.	PART NO.	PART DESCRIPTION	Q	C	S	SERIAL NO	REMARKS
1	403-11650-201	GASKET,INLET MANIFOLD	1		C		
2	404-11650-810	INSULATOR,CARBURETOR	1		C	~L250377	
2	404-11660-80	INSULATOR	1		D	L250378~	
3	100-11622-200	STUD,5X60	2		C		
4	402-11653-200	GASKET,CARBURETOR	1		D		
5	133-11650-200	SHIELD,HEAT	1		C		
6	402-11658-200	GASKET,CARBURETOR	1		C		
8-1	423-11620-201	BODY,AIR CLEANER	1		D	~E175650	
8	423-11620-210	BODY,AIR CLEANER	1		D	E175651~	
9	710-32600-201	PLATE,SET,CHOKE	1		D		
10-1	704-32650-800	BUTTON,CHOKE	1		D	~E175650	
10	704-32507-800	BUTTON,CHOKE	1		D	E175651~	
11	308-36100-201	SPRING,ADJUSTER A	1		C		
12	993-55040-001	RING,STOP	1		D		
13	708-32350-200	SHIM,5.2X8X.80	1		C		
14	700-32600-211	VALVE,CHOKE	1		D		
15	707-32600-200	HOLDER,CHOKE ROD	1		D		
16	706-32600-210	ROD,CHOKE	1		D		
17	100-11601-201	BOLT,STUD,4X21	1		D	~E175650	
18	188-32600-210	PLATE,SHUTTER	1		D		
19	205-11600-201	TAB,TERMINAL	1		D		
20	990-51050-223	BOLT,HEX,5X22	3		C	~L250377	
20	990-51050-253	BOLT,HEX,5X25	3		B	L250378~	
21	991-78050-010	NUT,LOCK 5	2		C		
22	990-11040-121	SCREW,4X12	2		B		
23	992-10040-012	WASHER,S,4	2		B		
24	992-00040-011	WASHER,4	2		B		
25	992-10050-012	WASHER,S,5	3		A		
26	992-00060-011	WASHER,SMALL,6	2		C		
27	992-01050-011	WASHER,5	2		A		
28-1	454-11620-210	PLATE,CLEANER FIXING	1		D	~E175650	
28	454-11620-220	PLATE,CLEANER FIXING	1		D	E175651~	
29	437-11620-201	JOINT,CLEANER	1		D	~E175650	
30-1	410-11620-920	CLEANER,AIR ASS'Y	1		D	~E175650	
30	410-11620-930	CLEANER,AIR ASS'Y	1		D	E175651~	
31	420-11620-810	ELEMENT,CLEANER	1		B		
32-1	431-11620-200	GASKET,CLEANER	2		D	~E175650	
32	431-11620-210	GASKET,CLEANER	1		C	E175651~	
33	421-11620-200	ELEMENT,CLEANER,FELT	1		B		

\* Indicates the part is included in a kit or assembly and is not available individually. Q=Quantity used C=Interchangeability S=Stocking code: A=Fast moving B=Med. fast C=Med. move D=Slow move E=N.L.A. F=Superseded or replaced by a new part

FIGURE 3 cont.

EHC-120 PARTS LISTING

REF.	PART NO.	PART DESCRIPTION	Q	C	S	SERIAL NO.	REMARKS
34	444-11620-200	ELEMENT,CLEANER	1		B		
36	990-11060-121	SCREW,6X12	3		C		
37	990-11050-121	SCREW,5X12	2		A	~E175650	
37	990-11050-241	SCREW,5X24	3		D	E175651~	
38	992-01040-011	WASHER,4	1		C		
39	992-10040-012	WASHER,S,4	1		B		
40	991-01040-011	NUT,4	1		C		
41	424-11620-810	CAP,CLEANER	1		D		
42-1	442-11620-810	BASE,CLEANER	1		E	~E175650	
42	442-11620-820	BASE,CLEANER	1		D	E175651~	
43	431-32505-200	GASKET,CLEANER	1		D		
45	992-10060-012	WASHER,S,6	4		A		
46	992-10050-012	WASHER,S,5	3		A		
47	992-01050-011	WASHER,5	3		A		
48	431-05015-201	GASKET,CLEANER	1		A		
49	200-11621-200	PLATE,NUT LOCKING	1		D		

\* Indicates the part is included in a kit or assembly and is not available individually. Q=Quan. used C=Interchangeability S=Stocking code: A-Fast moving B=Med. fast C=Med. move D=Slow move E=N.L.A. F=Superseded or replaced by a new part

# FIG.4 RECOIL STARTER

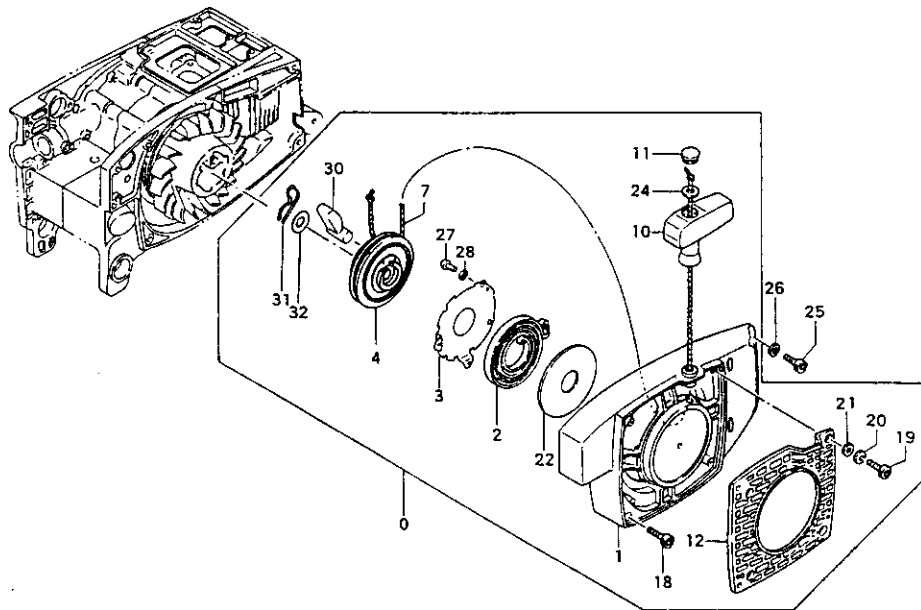
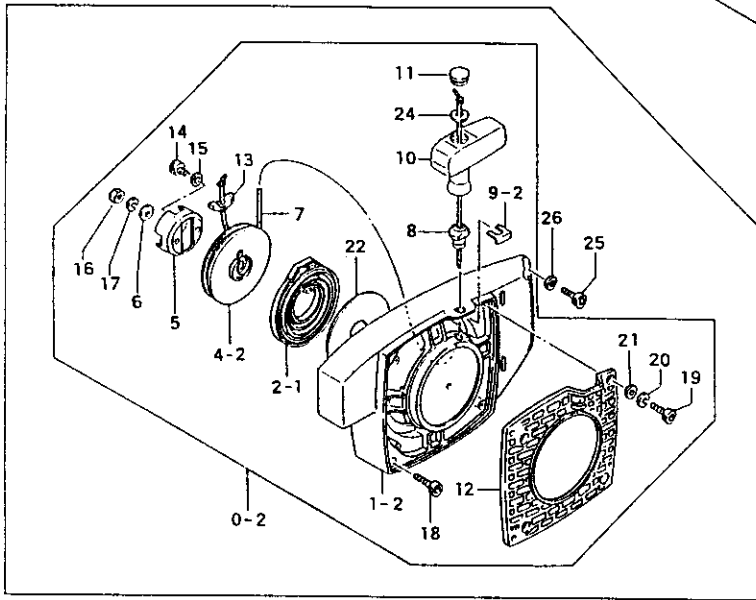
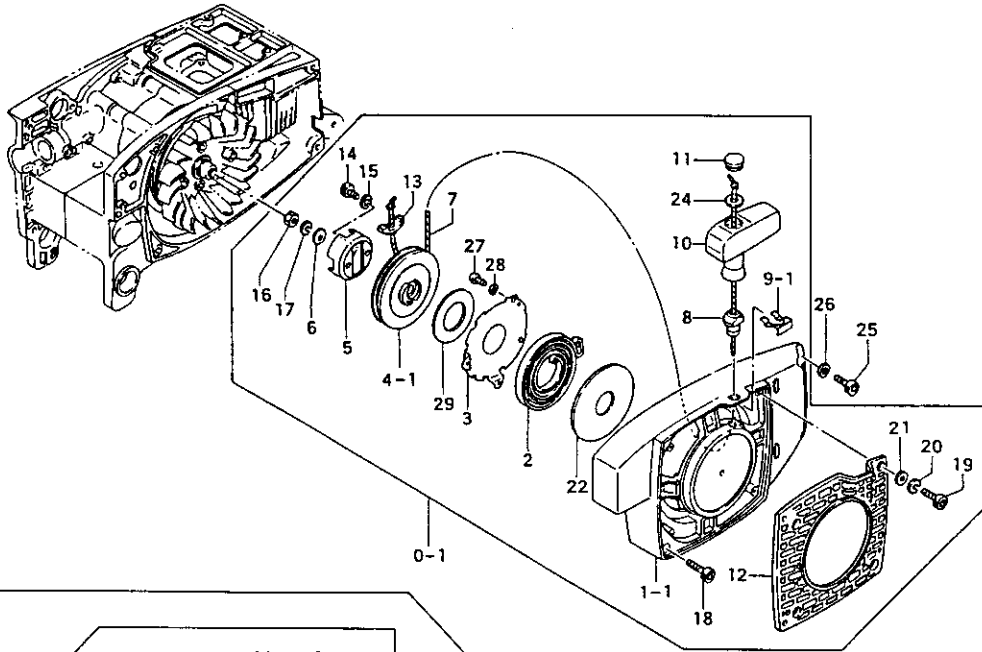


FIGURE 4

## EHC-120 PARTS LISTING

REF.	PART NO.	PART DESCRIPTION	Q	C	S	SERIAL NO.	REMARKS
0-1	756-11622-900	STARTER,RECOIL ASS'Y	1		C	~N073450	For units with ser. no. N073451 and beyond, go to bottom of column.
0	756-11622-91	STARTER,RECOIL ASS'Y	1		C	N073451~	
1-2	112-11600-801	CASE,FAN	1		C	~E175650	
1-2	112-11600-805	CASE,FAN	1		C	~L250377	
1-1	112-11622-80	CASE,FAN	1		C	L250378~	
2-1	778-11600-911	CASE,RECOIL SPRING,ASS'Y	1		A	~E175650	
2	779-11620-20	SPRING,RECOIL	1		A	E175651~	
3	778-11622-200	PANEL,STARTER	1		D	E175651~	
4-2	774-11600-820	PULLEY,STARTER	1		B	~J050532	
4-1	774-11622-800	PULLEY,STARTER	1		C	J050533~	
5	773-11600-201	PULLEY,SHAFT/OUTER	1		D	D224201~	
6	182-11600-200	WASHER,SPECIAL	1		D		
7	783-11622-20	ROPE,STARTER	1		B	~N073450	
8	780-11600-201	GUIDE,ROPE	1		B	~N073450	
9-2	781-11600-200	METAL,HOLDER,GUIDE	1		C	~L250377	
9-1	781-11621-20	HOLDER,HANDLE RECEIVER	1		D	L250378~	
10	785-11600-202	HANDLE,STARTER	1		D		
11	833-10207-200	CAP,STARTER HANDLE	1		C		
12	805-32650-201	PLATE,DAMPER	1		D		
13	782-11600-200	RECEIVER,ROPE	1		D	~L131990	
13	782-11600-21	RECEIVER,ROPE	1		C	L131991~	
14	990-51040-103	BOLT,HEX.HOLE,4X10	2		A		
15	992-10040-012	WASHER,S,4	2		B		
16	991-01050-013	NUT,5	1		C		
17	992-10050-012	WASHER,S,5	1		A		
18	990-51050-223	BOLT,HEX,5X22	2		C		
19	990-51040-123	BOLT,HEX.HOLE,4X12	4		C		
20	992-10040-012	WASHER,S,4	4		B		
21	992-00040-011	WASHER,4	4		B		
22	827-11660-200	PLATE,RECOIL SPRING	1		D		
24	795-11600-200	STOPPER,ROPE	1		C		
25	990-51050-153	BOLT,HEX.HOLE,5X15	2		C		
26	992-00050-011	WASHER,SMALL,5	2		C		
27	990-11030-061	SCREW,3X6	3		D		
28	992-10030-012	WASHER,S.,3	3		B		
29	801-11622-200	WASHER,PULLEY	1		C	J050533~	
1	112-11622-80	CASE,FAN	1		C	N073451~	New style recoil starter system.
2	779-11620-20	SPRING,RECOIL	1		A	"	
3	778-11622-200	PANEL,STARTER	1		D	"	

\* Indicates the part is included in a kit or assembly and is not available individually. Q=Quan. used C=Interchangeability S=Stocking code: A=Fast moving B=Med. fast C=Med. move D=Slow move E=N.L.A. F=Superseded or replaced by a new part

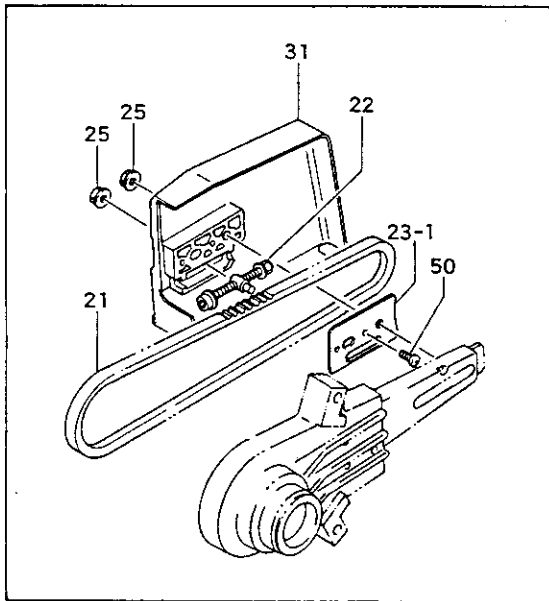
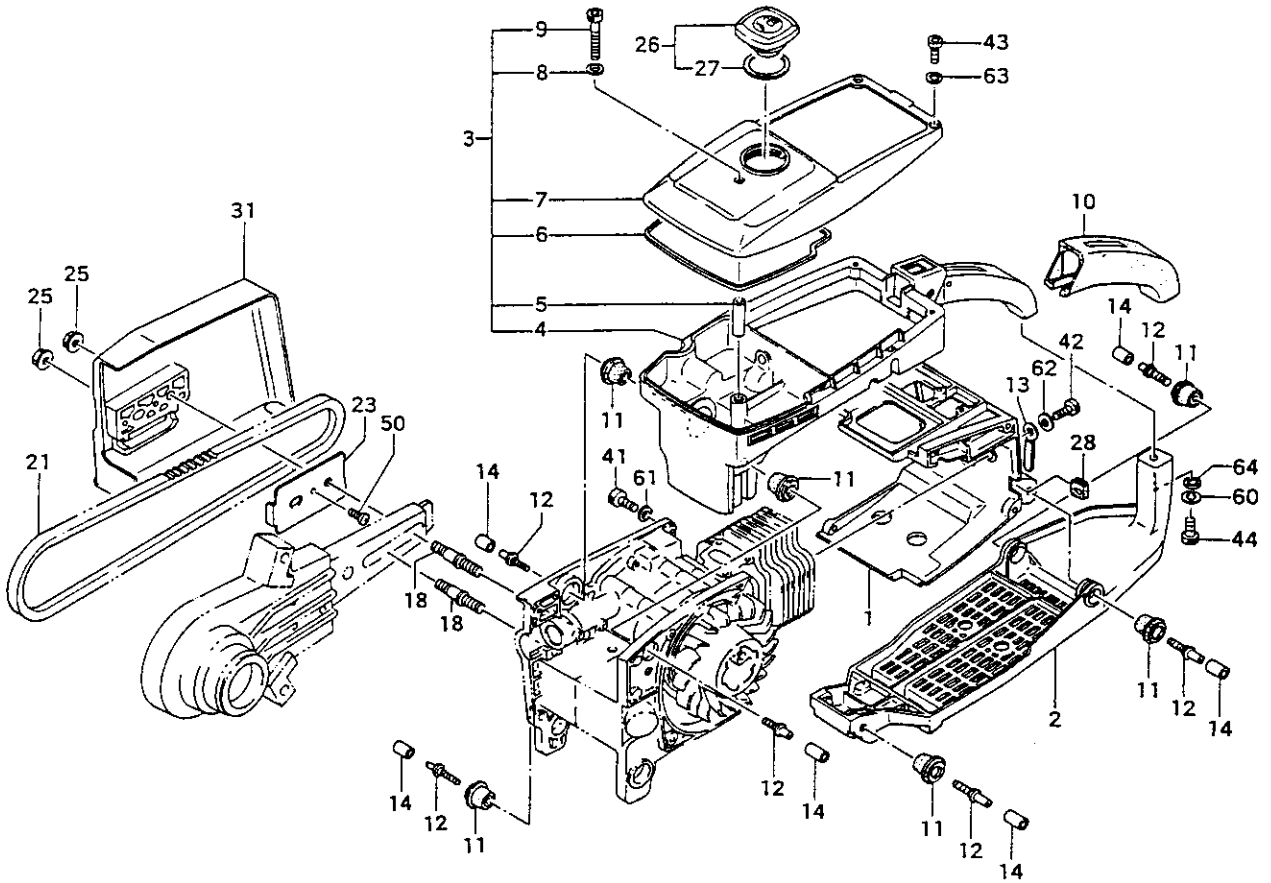
FIGURE 4 cont.

EHC-120 PARTS LISTING

REF.	PART NO.	PART DESCRIPTION	Q	C	S	SERIAL NO.	REMARKS
4	774-11622-20	PULLEY,STARTER	1		C	N073451~	
7	783-11621-20	ROPE,STARTER	1		C	"	
10	785-11600-202	HANDLE,STARTER	1		D	"	
11	833-10207-200	CAP,STARTER HANDLE	1		C	"	
12	805-32650-201	PLATE,DAMPER	1		D	"	
18	990-51050-223	BOLT,HEX,5X22	2		C	"	
19	990-51040-123	BOLT,HEX.HOLE,4X12	4		C	"	
20	992-10040-012	WASHER,S,4	4		B	"	
21	992-00040-011	WASHER,4	4		B	"	
22	827-11660-200	PLATE,RECOIL SPRING	1		D	"	
24	795-11600-200	STOPPER,ROPE	1		C	"	
25	990-51050-153	BOLT,HEX.HOLE,5X15	2		C	"	
26	992-00050-011	WASHER,SMALL,5	2		C	"	
27	990-11030-061	SCREW,3X6	3		D	"	
28	992-10030-012	WASHER,S.,3	3		B	"	
30	788-11620-20	PAWL,STARTER	1		C	"	
31	836-11620-20	SPRING,FRICTION	1		C	"	
32	034-31200-250	SHIM,8.2X12.5X.50	1		D	"	

\* Indicates the part is included in a kit or assembly and is not available individually. Q=Quan. used C=Interchangeability S=Stocking code: A=Fast moving B=Med. fast C=Med. move D=Slow move E=N.L.A. F=Superseded or replaced by a new part

# FIG.5 ENGINE COVER





**FIGURE 5**

**EHC-120 PARTS LISTING**

REF.	PART NO.	PART DESCRIPTION	Q	C	S	SERIAL NO.	REMARKS
1	016-11600-212	COVER,CYLINDER	1		D		
2	002-32600-21	BASE,ENGINE	1		C		
3	010-32507-900	HANDLE,REAR,ASS'Y	1		D		
4	010-32507-200	HANDLE,REAR,A	1		C		
5	096-11600-200	COLLAR	1		D		
6	605-32600-201	GASKET,TANK	1		C		
7	600-32507-200	COVER,TANK	1		D		
8	317-11401-200	GASKET,GROMMET	1		D		
9	990-51050-453	BOLT,HEX,5X45	1		C		
10	227-32600-212	GRIP,REAR HANDLE	1		D		
11	219-32600-821	DAMPER,FRONT	6		C		
12	295-32600-202	BOLT,DAMPER A	6		D		
13	198-05015-800	CLAMP,CORD	1		C		
14	700-15008-014	PIPE,FUEL,5X8X14	6		C		
18	101-32600-20	BOLT,STUD,BAR/CHAIN	2		C		
21	048-32507-210	V-BELT,7M-750MM	1		B	~J090751	
21	048-32511-200	V-BELT,7MT-775	1		C	J090752~	
22	119-32505-900	BOLT,TENSION,ASS'Y	1		D	~K204200	
23-1	462-32505-210	PLATE,GUIDE	1		D	~L049700	
23	462-3250A-21	PLATE,GUIDE	1		C	L049701~	
25	121-32600-200	NUT,CLAMP,BAR	2		C		
26	635-32615-910	CAP,FUEL TANK ASS'Y	1		C		
27	642-11600-200	GASKET,TANK CAP	1		C		
28	203-0604A-202	GROMMET	1		C		
31	020-32507-220	CASE,SIDE	1		D		
41	990-51050-153	BOLT,HEX.HOLE,5X15	2		C		
42	990-51050-153	BOLT,HEX.HOLE,5X15	2		C		
43	990-51040-103	BOLT,HEX.HOLE,4X10	2		A		
44	990-51050-203	BOLT,HEX.HOLE,5X20	1		C		
50	990-11030-061	SCREW,3X6	1		D		
60	992-10050-012	WASHER,S,5	1		A		
61	992-00050-011	WASHER,SMALL,5	2		C		
62	992-00050-011	WASHER,SMALL,5	2		C		
63	992-00040-011	WASHER,4	2		B		
64	992-00050-011	WASHER,SMALL,5	1		C		

\* Indicates the part is included in a kit or assembly and is not available individually. Q=Quan. used C=Interchangeability S=Stocking code: A=Fast moving B=Med. fast C=Med. move D=Slow move E=N.L.A. F=Superseded or replaced by a new part

# FIG.6 HANDLE & LEVER

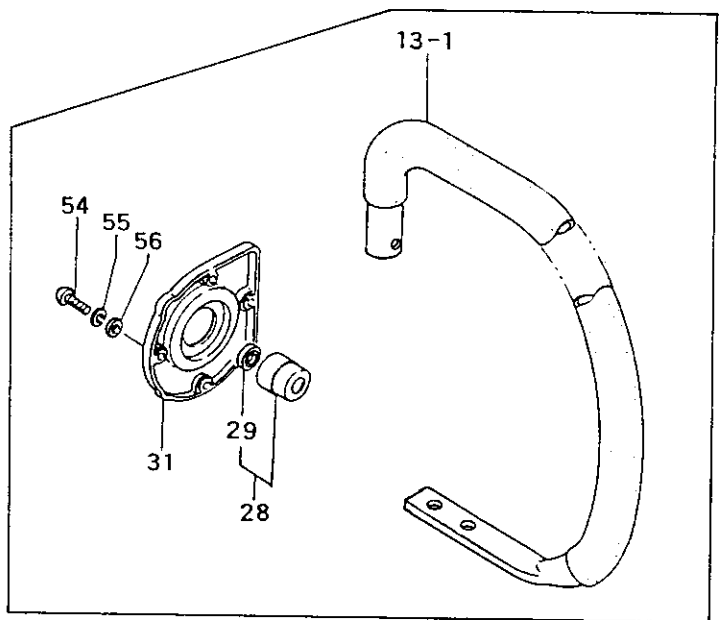
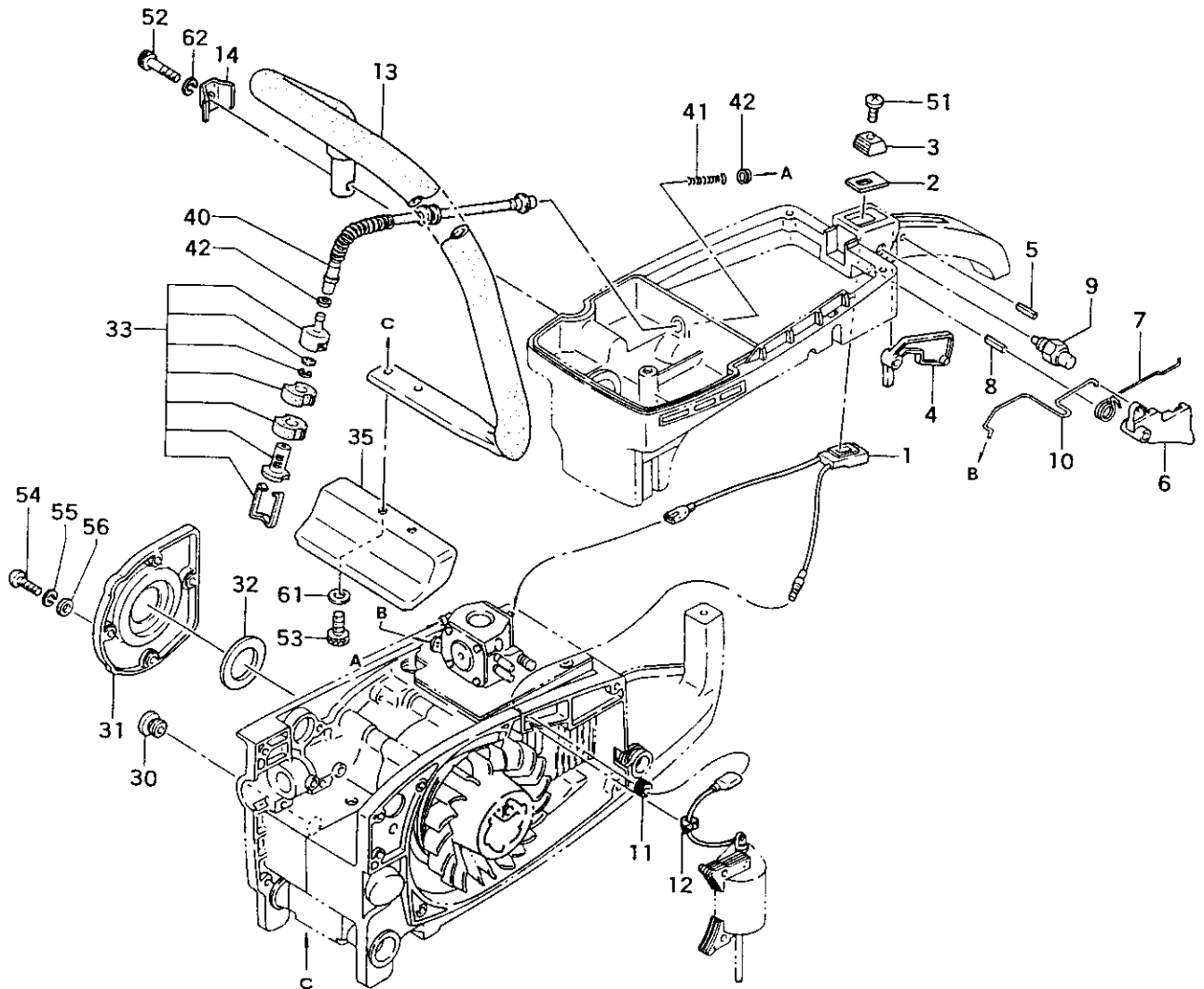


FIGURE 6

## EHC-120 PARTS LISTING

REF.	PART NO.	PART DESCRIPTION	Q	C	S	SERIAL NO.	REMARKS
1	170-11600-802	BUTTON,STOP	1		C		
2	925-32505-200	DECAL,STOP BUTTON	1		D		
3	258-11650-20	BUTTON,STOP	1		C		
4	257-32600-201	LEVER,SAFETY	1		D		
5	993-24004-180	PIN,SPRING	1		D		
6	060-32600-211	LEVER,THROTTLE	1		D		
7	061-32600-201	SPRING,THROTTLE LEVER	1		D		
8	993-26005-254	PIN,SPRING,5X25	1		D		
9	064-33225-800	PIN,PUSH	1		C		
10	490-32650-201	ROD,THROTTLE	1		B		
11	203-04015-202	GROMMET,PRIMARY CORD	1		C		
12	203-11660-200	GROMMET,PRIMARY CORD	1		D		
13-1	209-32650-800	HANDLE,FRONT	1		D	-E175650	
13	209-32507-800	HANDLE,FRONT	1		D	E175651~	
14	211-32600-200	SUPPORT,FRONT HANDLE	1		D		
28	310-32505-000	SET,CLUTCH HOUSING	1		D		Includes seal
29	999-66121-626	SEAL,OIL,#12163	1		D	-E109841	
30	525-32530-200	CAP,OIL	1		D		
31	097-32600-210	COVER,OIL PUMP	1		D		
32	470-32507-200	FELT	1		D		
33	675-01630-900	FILTER,FUEL	1		A		
35	034-32507-211	BASE,FRONT HANDLE	1		D	-P101500	
35	034-32507-21	BASE,FRONT HANDLE	1		C	P101501~	
40	678-11650-201	PIPE,RUBBER	1		B		
41	512-11600-200	COIL,PROTECTION	1		D		
42	680-04019-210	CLIP,7	2		B		
51	990-11030-101	SCREW,3X10	1		B		
52	990-51080-353	BOLT,HEX.HOLE,8X35	1		D		
53	990-51050-203	BOLT,HEX.HOLE,5X20	2		C		
54	990-11040-101	SCREW,4X10	4		A		
55	992-10040-012	WASHER,S,4	4		B		
56	992-00040-011	WASHER,4	4		B		
61	992-01050-011	WASHER,5	2		A		
62	992-10080-012	WASHER,S,8	1		B		

\* Indicates the part is included in a kit or assembly and is not available individually. Q=Quan. used C=Interchangeability S=Stocking code: A=Fast moving B=Med. fast C=Med. move D=Slow move E=N.L.A. F=Superseded or replaced by a new part

**FIG.7 CARBURETOR**

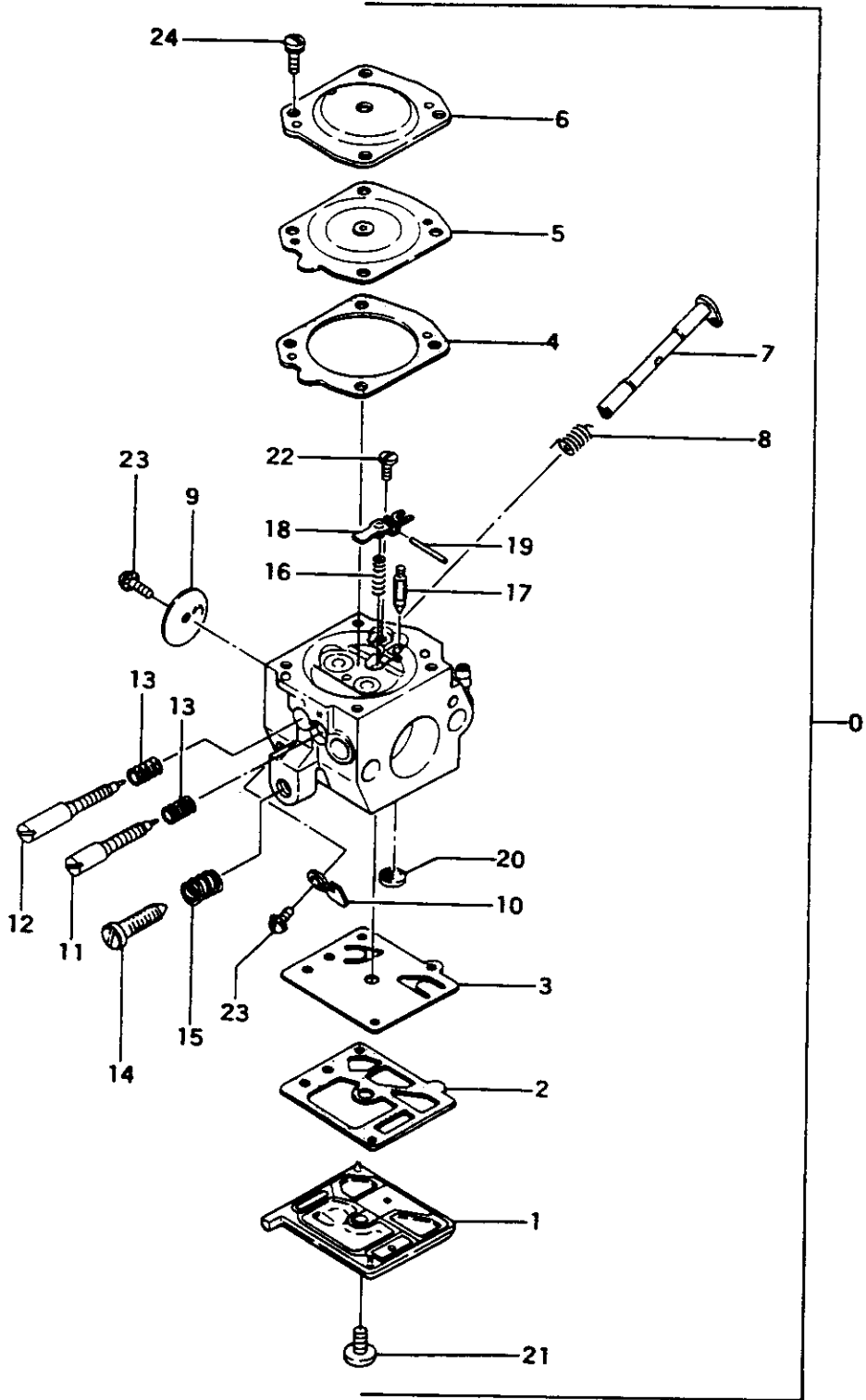


FIGURE 7

## EHC-120 PARTS LISTING

REF.	PART NO.	PART DESCRIPTION	Q	C	S	SERIAL NO.	REMARKS
0	455-25012-902	CARBURETOR,ASS'Y	1		C	~L250377	* Contained in Carb. Repair Kit 650-25012-910 Not available individually
0	455-25036-90	CARBURETOR,ASS'Y	1		D	L250378~	
1	575-25012-200	BODY,PUMP	1		D		
2	----	*GASKET,PUMP	1		C		
3	----	*DIAPHRAGM,PUMP	1		C		
4	----	*GASKET,DIAPHRAGM	1		C		
5	----	*DIAPHRAGM,METERING	1		C		
6	476-25012-201	COVER,DIAPHRAGM	1		D		
7	464-25012-800	SHAFT,THROTTLE	1		D		
8	486-25012-200	SPRING,THROTTLE	1		D		
9	488-25001-200	VALVE,THROTTLE	1		C		
10	559-25012-200	PLATE,STOP	1		D		
11	460-25012-210	SCREW,HIGH ADJUST	1		D	~L250377	
11	460-25036-20	SCREW,HIGH ADJUST	1		D	L250378~	
12	461-25012-210	SCREW,LOW ADJUST	1		D	~L250377	
12	461-25036-20	SCREW,LOW ADJUST	1		D	L250378~	
13	623-25001-200	SPRING,ADJUST,LOW	2		D		
14	462-25016-200	SCREW,IDLE ADJUST	1		D		
15	463-25012-200	SPRING,IDLE ADJUST	1		D		
16	477-25012-200	SPRING,VALVE	1		D		
17	----	*VALVE,NEEDLE	1		C		
18	----	*LEVER,CONTROL	1		D		
19	----	*PIN,FLOAT	1		D		
20	----	*SCREEN,INLET	1		C		
21	514-25012-200	SET,SCREW	1		D		
22	546-25001-200	SCREW,SET,HINGE PIN	1		D		
23	467-25003-200	SCREW,SHUTTER	2		C		
24	548-25012-200	SCREW,SET	4		D		

\* Indicates the part is included in a kit or assembly and is not available individually. Q=Quan. used C=Interchangeability S=Stocking code: A=Fast moving B=Med. fast C=Med. move D=Slow move E=N.L.A. F=Superseded or replaced by a new part

# FIG.8 TOOLS

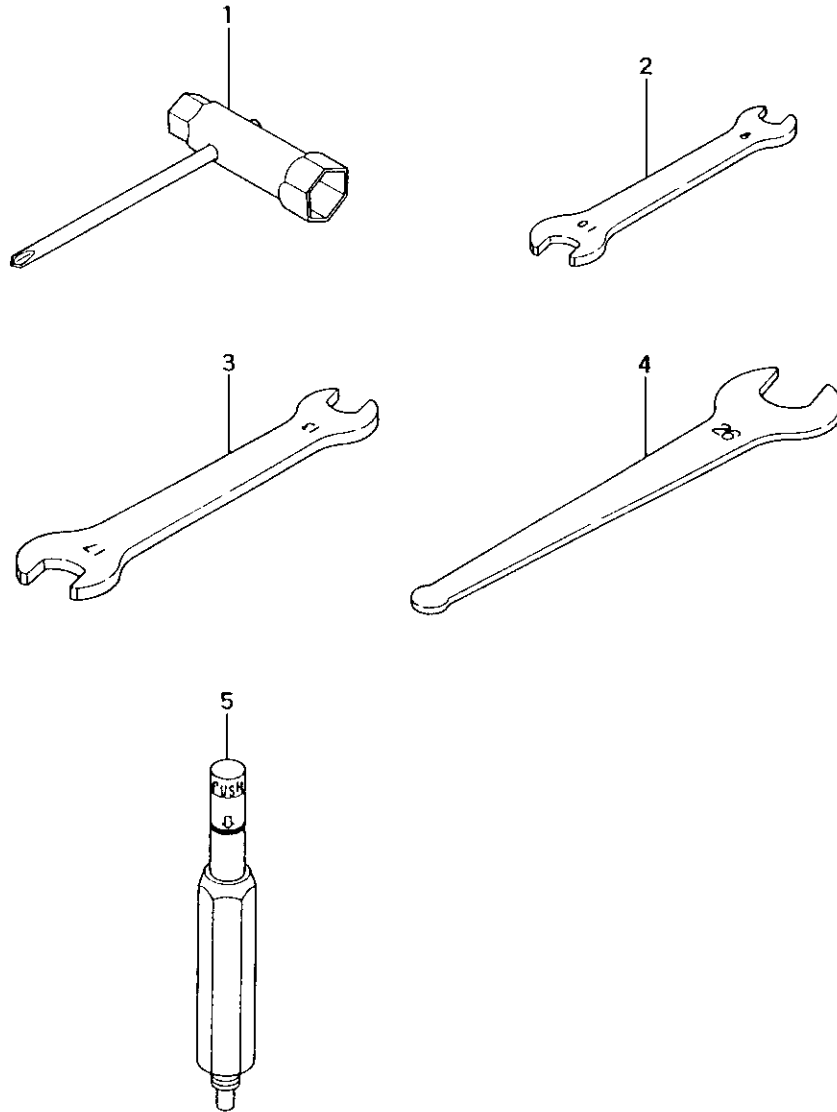


FIGURE 8

## EHC-120 PARTS LISTING

REF.	PART NO.	PART DESCRIPTION	Q	C	S	SERIAL NO.	REMARKS
1	829-20000-80	SPANNER,COMBI,13X19	1		F		
2	801-20000-200	SPANNER,8X10	1		D		
3	810-20000-200	SPANNER,13X17	1		D		
4	816-20000-200	SPANNER,26	1		C		
5	720-32507-900	GUAGE,TENSION	1		D	-K204200	

FIG.9 MARKS

**CAUTION**  
 TO AVOID POSSIBLE INJURY, GUARD MUST BE IN PLACE DURING OPERATION.  
 FOR SAFE USE, FOLLOW INSTRUCTIONS IN OWNER'S MANUAL.  
 EYE PROTECTION SHOULD BE WORN BY USER OF THIS UNIT.

1

OPEN

2

**AIR CLEANER INSTRUCTIONS**  
 Clean outer and sponge elements in gasoline, let dry. Apply small amount of light oil to sponge, squeeze to spread oil evenly. Replace inner element after 75~100 hrs use, or when necessary.

3

**Tanaka CUT-OFF SAW**

5-2

**PRO FORCE.**

5-1

**Tanaka Industrial**

5

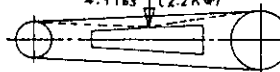
**Tanaka**  
**EHC-120**  
 MADE IN JAPAN

4-2

**PRO FORCE.**  
**Tanaka.**

4-1

**BELT TENSION**  
 Make sure to keep the belt in proper tension before operation. For further details refer to owner's manual.  
 4.9 lbs (2.2 KG)



6

← **CHOKE RUN** →

7

**EHC 120**  
 MADE IN JAPAN  
 FABRIQUE AU JAPON

8

**MIXED FUEL**  
**GASOLINE 25:OIL 1**

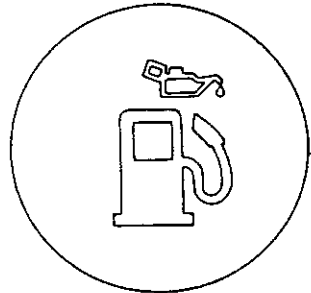
9

**Tanaka**  
**Industrial**  
 MADE IN JAPAN  
 FABRIQUE AU JAPON

4

**IDLE**

10



11

**FIGURE 9**

**EHC-120 PARTS LISTING**

REF.	PART NO.	PART DESCRIPTION	Q	C	S	SERIAL NO.	REMARKS
1	919-37701-200	DECAL	1		D	K003551~	
2	897-30204-200	DECAL,CHOKE	1		D	~E175650	
3	920-32507-200	DECAL,CAUTION	1		D		
4-2	906-32507-201	DECAL,EHC-120	1		D	~J050532	
4-1	950-32603-200	DECAL,PRO-FORCE A	1		D	~L049700	
4	929-11622-20	DECAL,INDUSTRIAL	1		D	L049701~	
5-2	929-32507-201	DECAL	1		D	~J050532	
5-1	951-32507-200	DECAL,PRO-FORCE B	1		D	~L049700	
5	929-3250A-200	DECAL	1		D	L049701~	
6	955-32507-200	DECAL,CAUTION	1		D	E175651~	
7	908-04021-200	DECAL,CHOKE	1		D	E175651~	
8	908-32507-21	DECAL,EHC-120	1		D	L049701~	
9	909-11108-201	DECAL,TANK	1		D		
10	910-32601-200	DECAL,CARBURETOR	1		D	~N073450	
10	910-3250A-20	DECAL,CARB	1		D	N073451~	
11	920-32650-201	DECAL,FUEL	1		E		

\* Indicates the part is included in a kit or assembly and is not available individually. Q=Quan. used C=Interchangeability S=Stocking code: A-Fast moving B=Med. fast C=Med. move D=Slow move E=N.L.A. F=Superceded or replaced by a new part