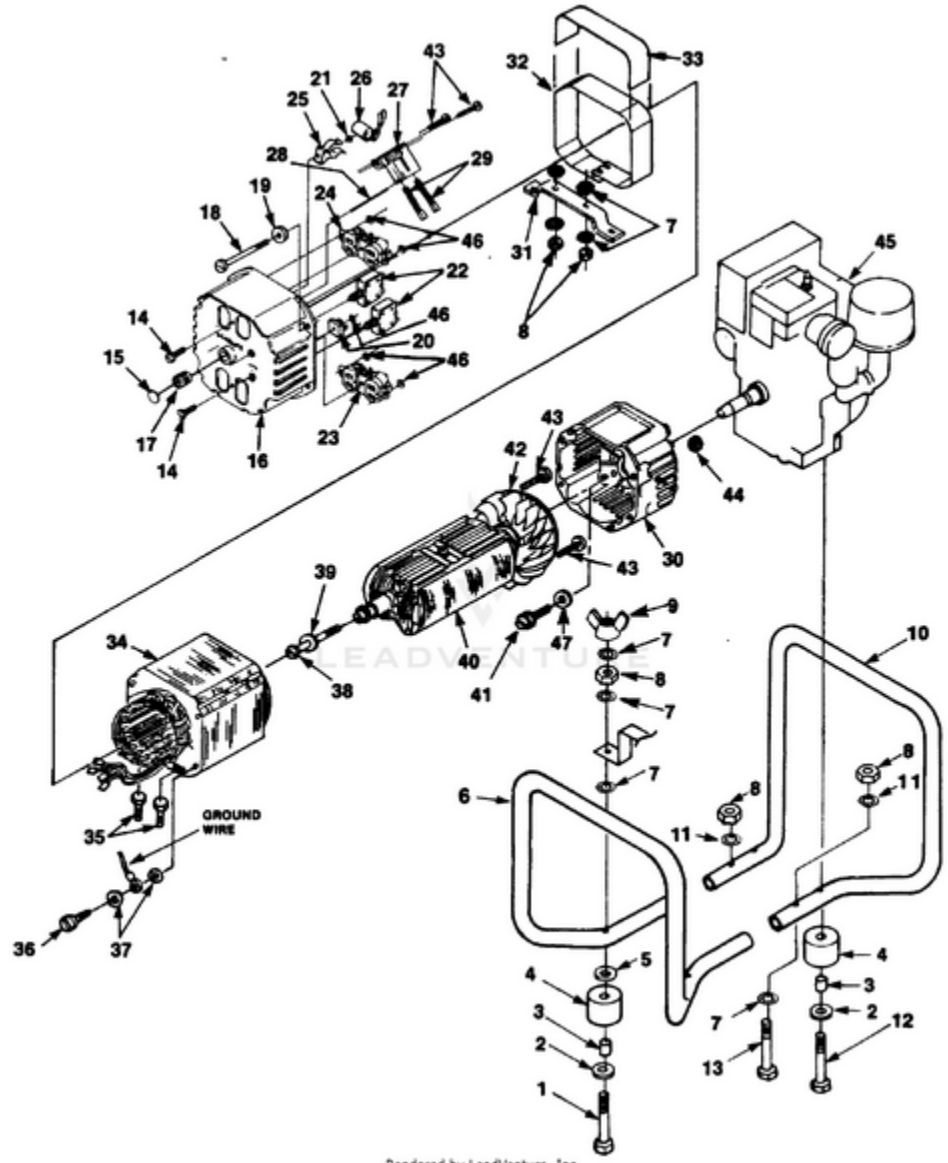


EH5500HD/CSA Generator UT-03709 - Generator

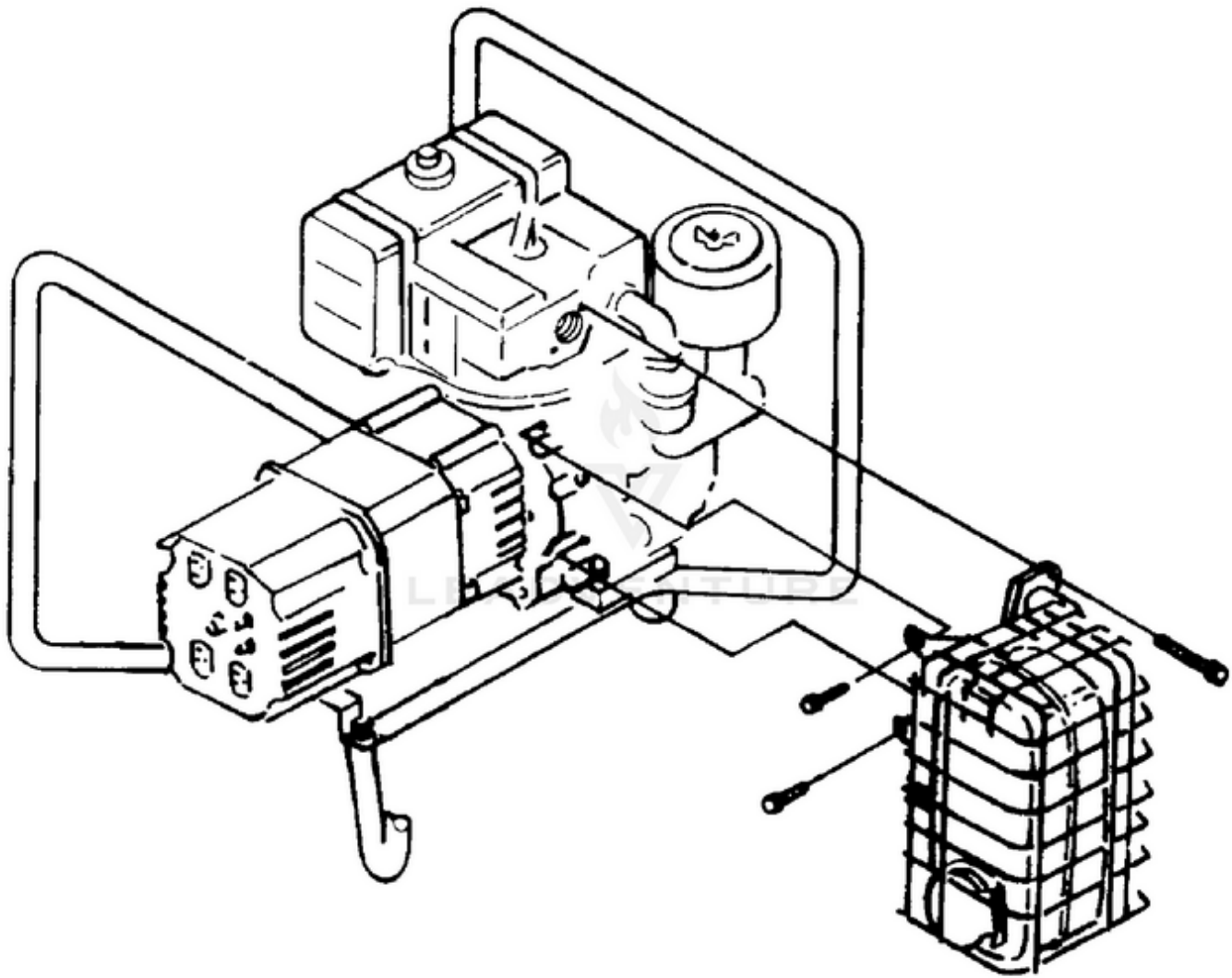


Rendered by LeadVenture, Inc.

| Ref # | Part # | Description | Qty | Context Note |
|--------------|---------------|---------------------------------------|------------|---------------------|
| 1 | 80089 | SCREW | 4 | |
| 2 | 84046 | WASHER- Flat (5/16") | 4 | |
| 3 | 49733 | SPACER- Foot | 4 | |
| 4 | 48789 | FOOT | 4 | |
| 5 | 84058 | WASHER- Flat (5/16") | 6 | |
| 6 | 028431 | MEMBER- Frame (gen. end) | 1 | |
| 7 | 83033 | WASHER- Lock (ext./Int.) | 8 | |
| 8 | 81162 | NUT- Hex (5/16-18) | 8 | |
| 9 | 81015 | NUT- Wing | 1 | |
| 10 | 028421 | MEMBER- Frame (eng. end) | 1 | |
| 11 | 83081 | WASHER- Lock (Int.) | 5 | |
| 12 | 82530 | SCREW- (5/16 x 3 1/4") | 2 | |
| 13 | JA400200 | SCREW | 1 | |
| 14 | 80630 | SCREW- Mach. pan hd. | 2 | |
| 15 | 02438 | PLUG- Expansion | 1 | |
| 16 | 023625A | BRUSH HEAD | 1 | |
| 17 | 03044 | BEARING- Needle | 1 | |
| 18 | 4885301 | BOLT- Stator | 4 | |
| 19 | 84124 | WASHER- Flat | 4 | |
| 20 | 95672 | RECTIFIER | 1 | |
| 21 | 02436 | WASHER- Shaft retention | 1 | |
| 22 | 49831 | BREAKER- Circuit (20 amp.) | 2 | |
| 23 | 03135 | RECEPTACLE- (240V) (Nema 6-20R) | 1 | |
| 24 | 498321 | RECEPTACLE- Duplex (Nema 5-20R) | 1 | |
| 25 | 02435 | CLIP-Spring cap | 1 | |
| 26 | A02860 | CAPACITOR (w/ Lead) | 1 | |
| 27 | 02365 | BRUSH HOLDER | 1 | |
| | A03035 | BRUSH & RETAINER KIT | 1 | |

| Ref # | Part # | Description | Qty | Context Note |
|-------|----------|-------------------------------|-----|--|
| 28 | 02857 | PIN- Retaining | 1 | |
| 29 | 02664 | BRUSH | 2 | |
| 30 | 020266 | BELL- End | 1 | |
| 31 | 028451 | BRACKET- Generator support | 1 | |
| 32 | 028791 | WRAPPER- Stator | 1 | |
| 33 | 02983 | DECAL- Warning | 1 | |
| 34 | A02795S | STATOR | 1 | |
| 35 | 80083 | SCREW- 5/16-18 x 3/4" | 2 | |
| 36 | 82538 | SCREW | 1 | |
| 37 | 83121 | WASHER- Lock (int./ext) | 2 | |
| 38 | 4885207 | BOLT- Rotor | 1 | |
| 39 | 03433 | WASHER | 1 | |
| 40 | A02798AS | ROTOR | 1 | |
| 41 | 80187 | SCREW-(3/8-16 x 7/8") | 4 | |
| 42 | A04013 | FAN- Generator | 1 | |
| 43 | 82526 | SCREW- Pan hd. | 4 | |
| 44 | 81267 | NUT- Hex | 4 | |
| 45 | | ENGINE | 1 | For engine replacement parts locate the engine brand name model number, and type number and consult the appropriate dealer in your area. |
| 46 | 02437 | WASHER- Shaft retention | 5 | |
| 47 | 83078 | WASHER- Lock (3/8") | 4 | |

EH5500HD/CSA Generator UT-03709 - Muffler Kit



Rendered by LeadVenture, Inc.