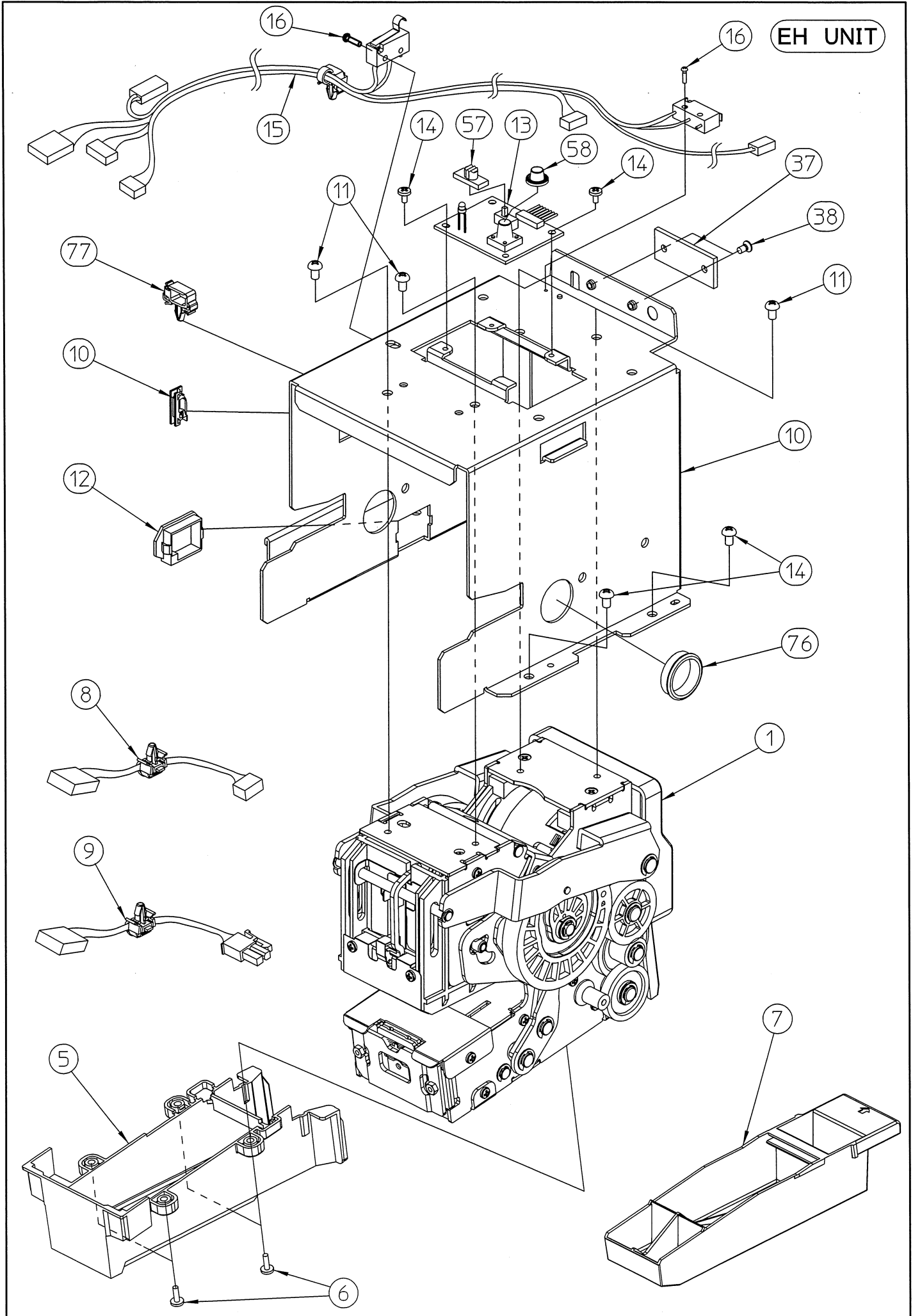
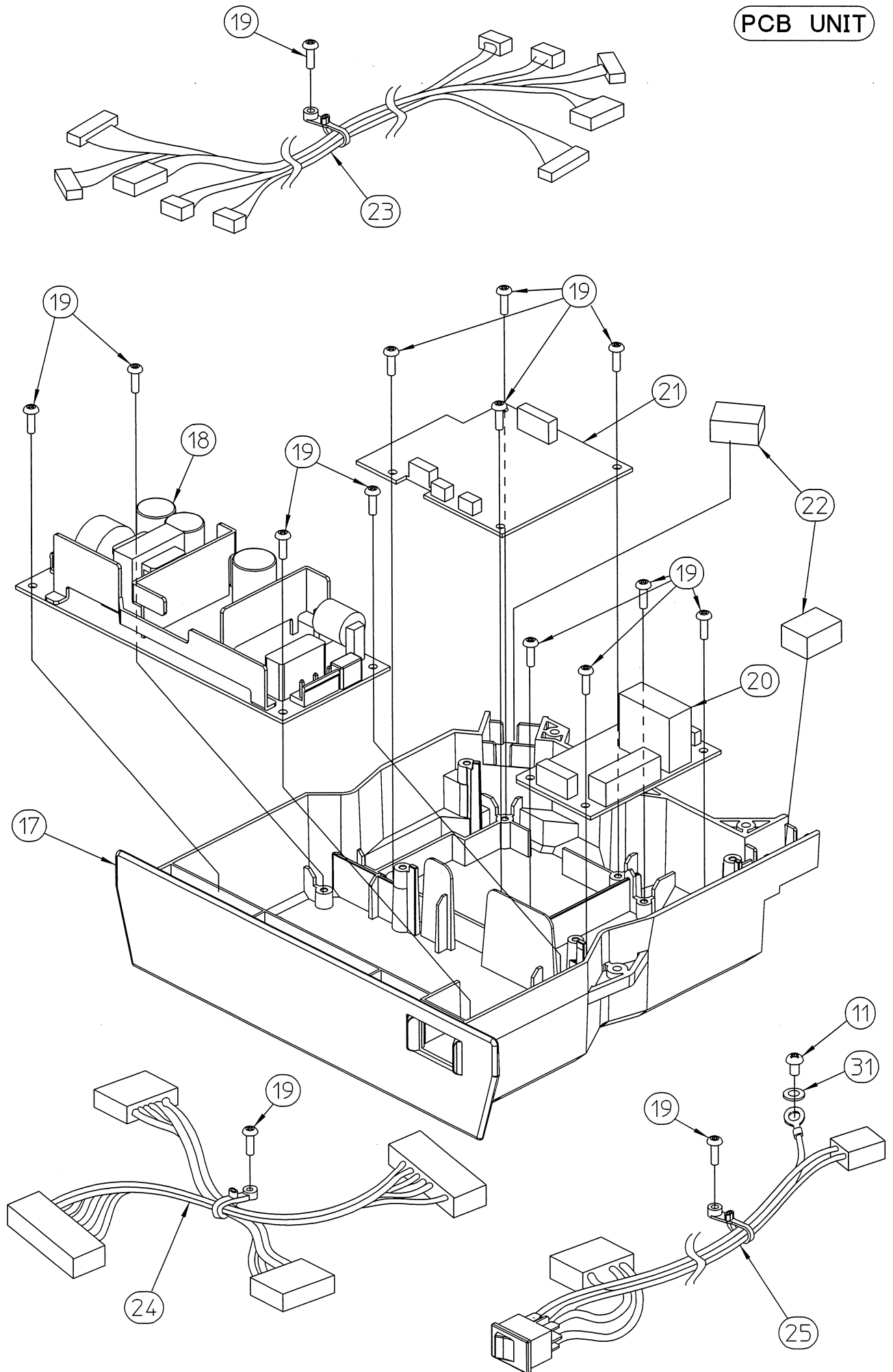


MAX EH-110F

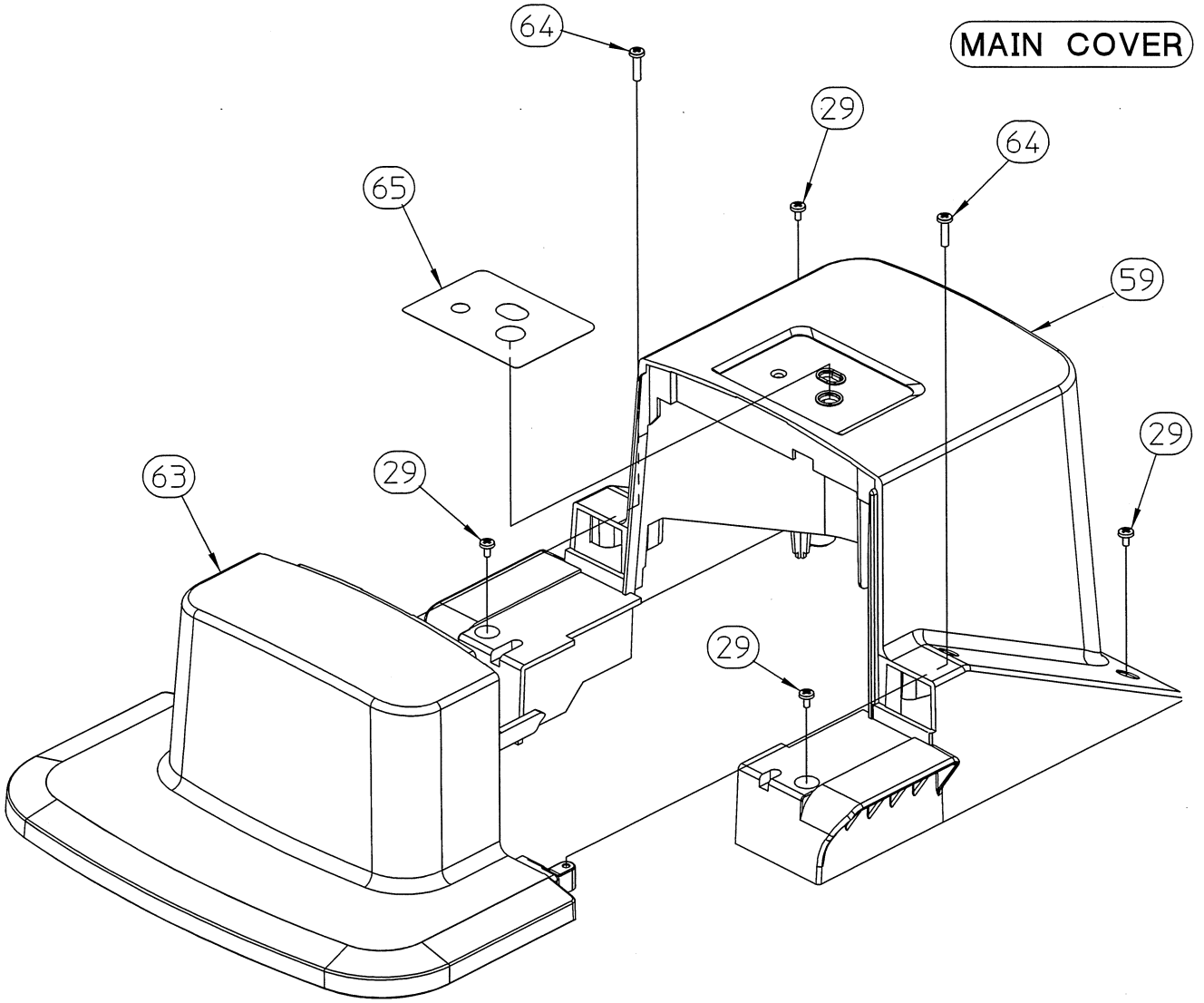
EH UNIT



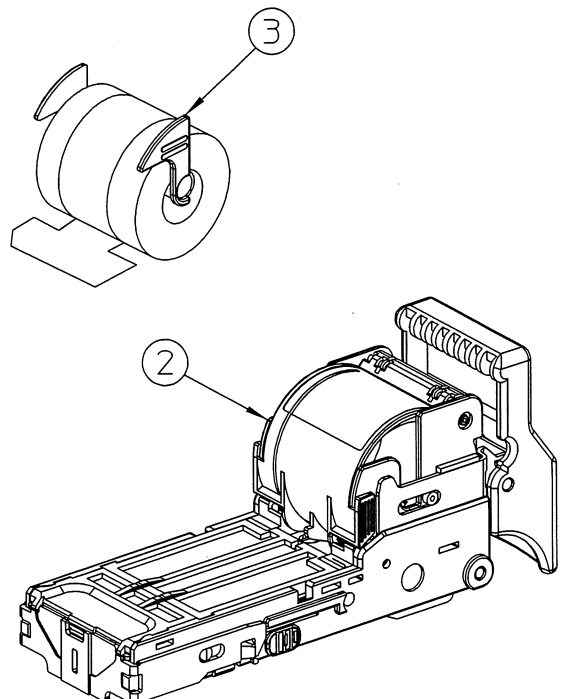
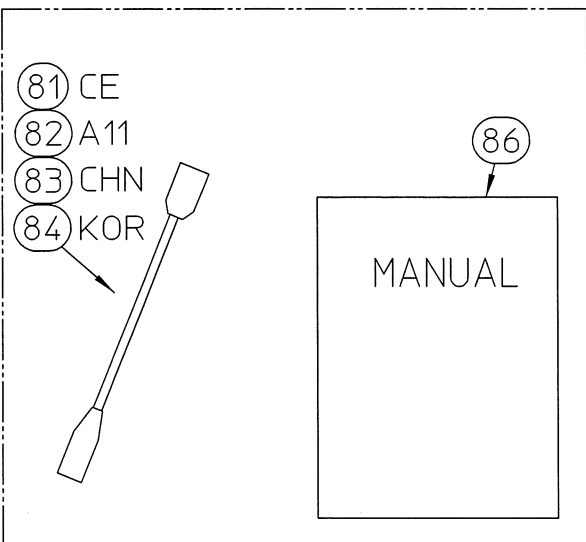
PCB UNIT



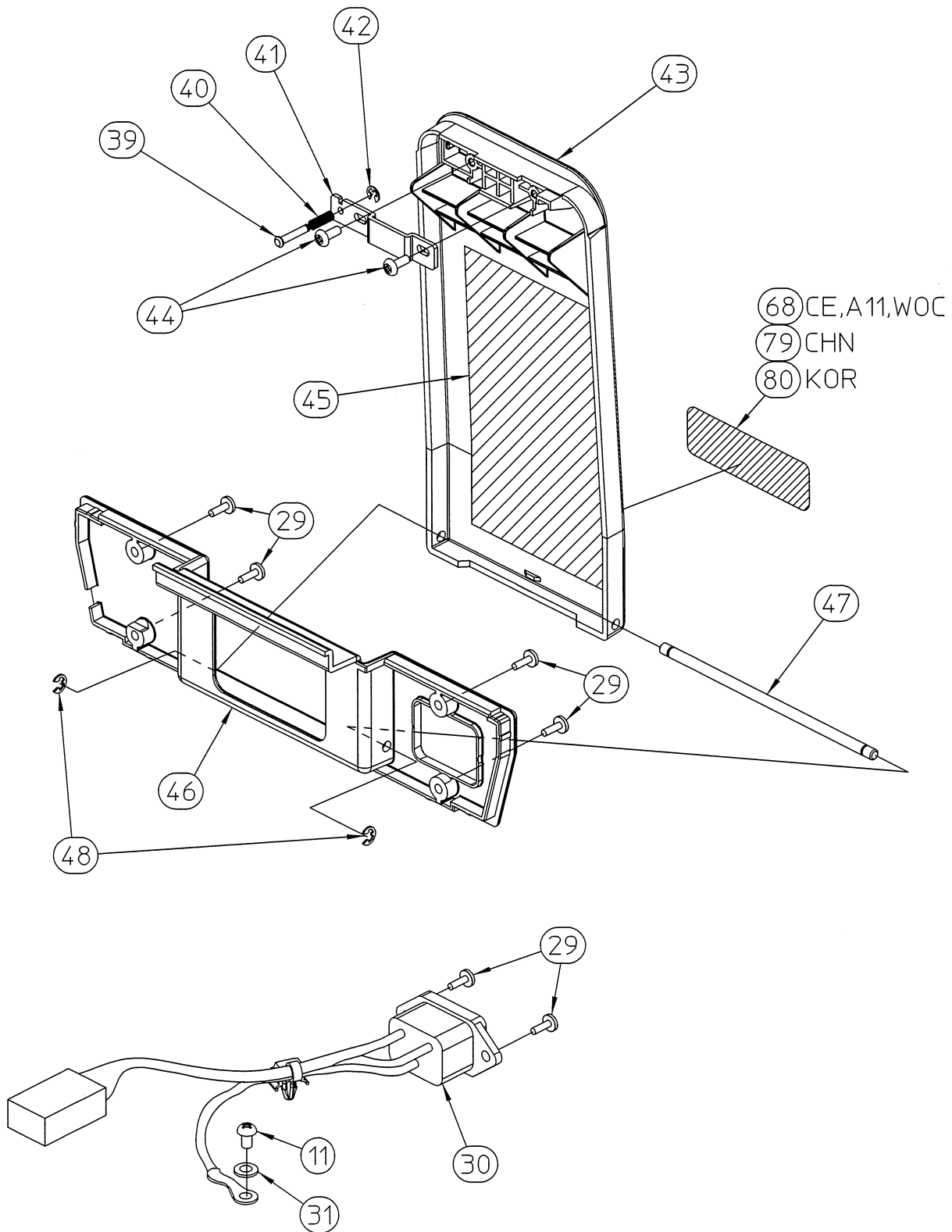
MAIN COVER



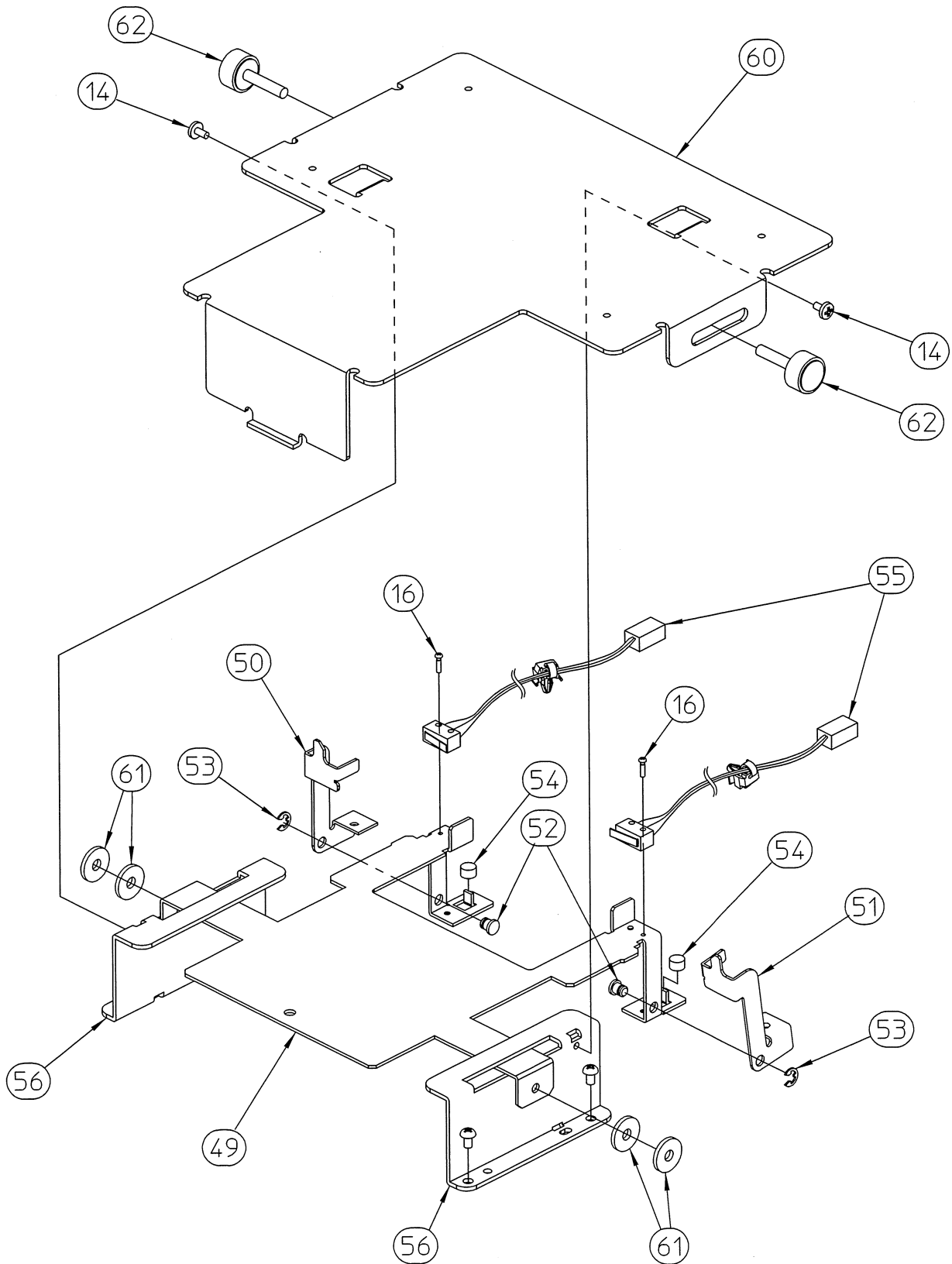
PART, STAPLE



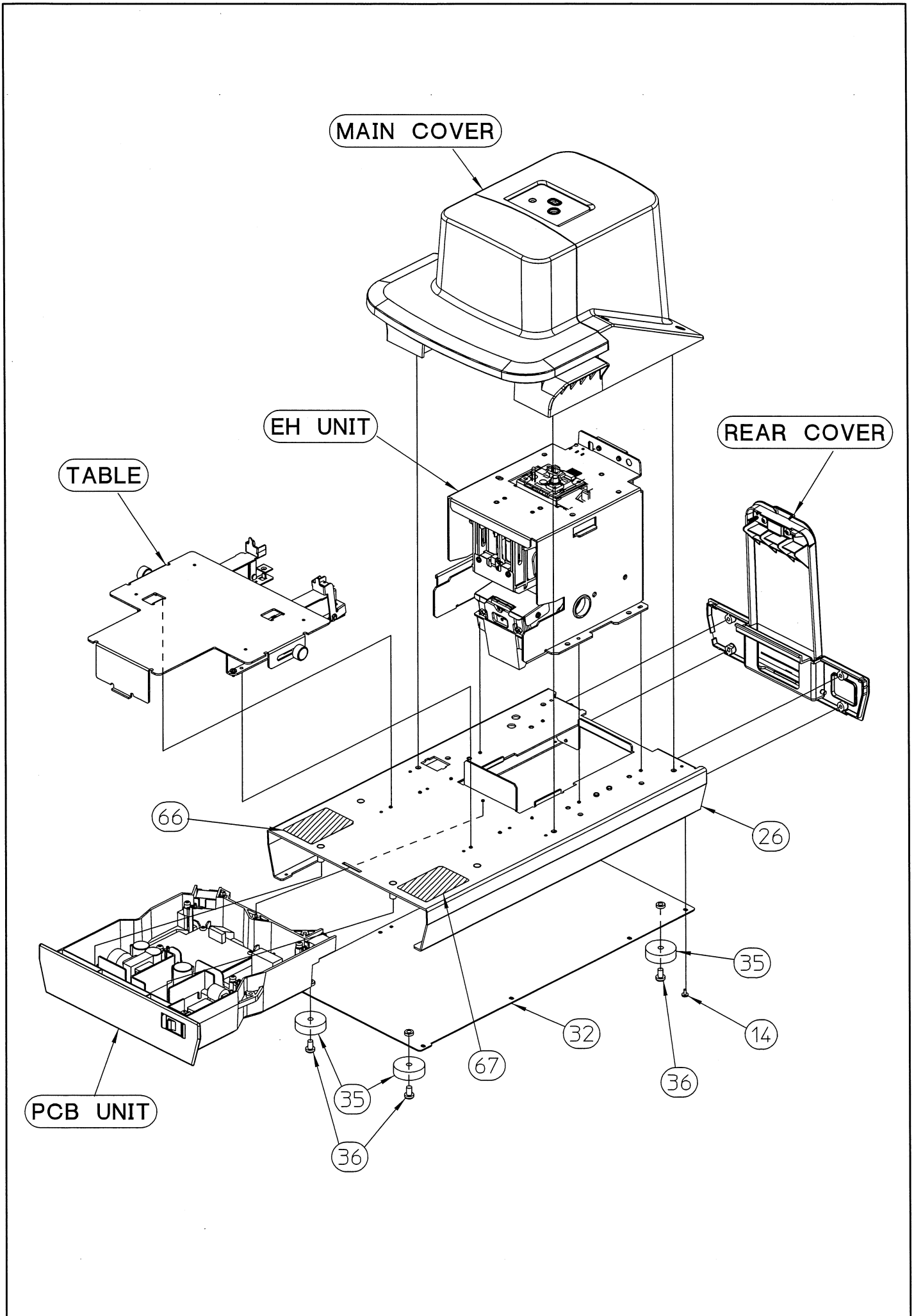
REAR COVER



TABLE



MAX EH-110F



Tool Model	Part NO	Part Code	Description
EH-110F	1	EH80693	EH-1100ASSY (110F AFTER)
EH-110F	2	EH80694	STAPLE CASE ASSY110F (AFTER)
EH-110F	3	MS80117	NO.110FE ASSY
EH-110F	5	EH19461	STAPLE TRIM TRAY CASE
EH-110F	6	AA25518	+ BINDING SCREW 3X8 CF
EH-110F	7	EH19414	STAPLE TRIM TRAY
EH-110F	9	EH70775	EH LOGIC WH(EH-110F)
EH-110F	10	EH19415	EH TOP STAY
EH-110F	11	AA21579	PAN HEAD SCREW 4X6 MEC CF
EH-110F	12	YZ35031	LOCKING SUDDLE TSB-1915V0
EH-110F	13	EH70750	SUB PCB(EH-110F)
EH-110F	14	AA25519	BINDING SCREW 3X5
EH-110F	15	EH70767	USER INTERFACE WH(EH-110F)
EH-110F	16	AA25538	+BIND SCREW 2X8 MEC CF
EH-110F	17	EH19418	FK COVER
EH-110F	18	ZU10119	SMPS LPF100F-24-J1Y
EH-110F	19	AA09502	KNURLED TIGHT 3X10 CF
EH-110F	20	EH70752	RELAY PCB(EH-110F)
EH-110F	21	EH70755	MAIN PCB(EH-110F)
EH-110F	22	EH19460	WH SPACER
EH-110F	23	EH70772	BASE WH(EH-110F)
EH-110F	24	EH70760	DC POWER WH(EH-110F)
EH-110F	25	EH70746	AC POWER WH(EH-110F)
EH-110F	26	EH70739	BASEPLATE UNIT
EH-110F	29	AA25518	+ BINDING SCREW 3X8 CF
EH-110F	30	EH70747	INLET WH(EH-110F)
EH-110F	31	EE11103	SPRING WASHER 2-4
EH-110F	32	EH70738	BASECOVER UNIT
EH-110F	35	EH19419	FOOT RUBBER
EH-110F	36	AA21176	PHILLIPS PAN HEAD SCREW 5X8 MEC
EH-110F	37	EH19538	MAGNET
EH-110F	38	AA22521	SCREW 3X6 MEC CF
EH-110F	39	EH19422	SWITCH SHAFT
EH-110F	40	KK29128	COMP SPRING 9128
EH-110F	41	EH19457	DOOR CATCH
EH-110F	42	JJ10109	E-RING 2
EH-110F	43	EH19413	REAR DOOR
EH-110F	44	AA09101	KNURLED TIGHT 3X8
EH-110F	45	EH19427	STAPLE EXCHANGE LABEL
EH-110F	46	EH19475	REAR PANEL
EH-110F	47	EH19455	DOOR SHAFT
EH-110F	48	JJ10511	E-RING 3.2 CF
EH-110F	49	EH19456	SWITCH HOLDER
EH-110F	50	EH11797	SWITCH LEVER - L
EH-110F	51	EH11798	SWITCH LEVER - R
EH-110F	52	FF41534	PIN 1534
EH-110F	53	JJ10509	E-RING 4 CF
EH-110F	54	KK23131	SPRING 3131 N10057
EH-110F	55	EH70748	PAPER SENSOR WH(EH-110F)
EH-110F	56	EH19463	TABLE GUIDE
EH-110F	57	CD14984	SWITCH COVER
EH-110F	58	EH19515	SW CAP
EH-110F	59	EH19410	MAIN COVER
EH-110F	60	EH19462	PAPER TABLE
EH-110F	61	EE39143	S-WASHER 143
EH-110F	62	PM18620	SLIT FIXED SCREW UNIT
EH-110F	63	EH19412	FLONT COVER
EH-110F	64	AA09103	KNURLED TIGHT 3X12 CF
EH-110F	65	EH19491	OPERATION LABEL
EH-110F	66	EH19426	EXPLANATORY LABEL
EH-110F	67	EH19447	CAUTION LABEL
EH-110F	76	IL22615	CORD BUSH 19
EH-110F	77	YY21013	WIRE CLIP RLWC-1SV0
EH-110F	82	ZX30007	POWER CORD (KP-35KS-31SVT18X)
EH-110F	86	EH19484	INSTRUCTION MANUAL