

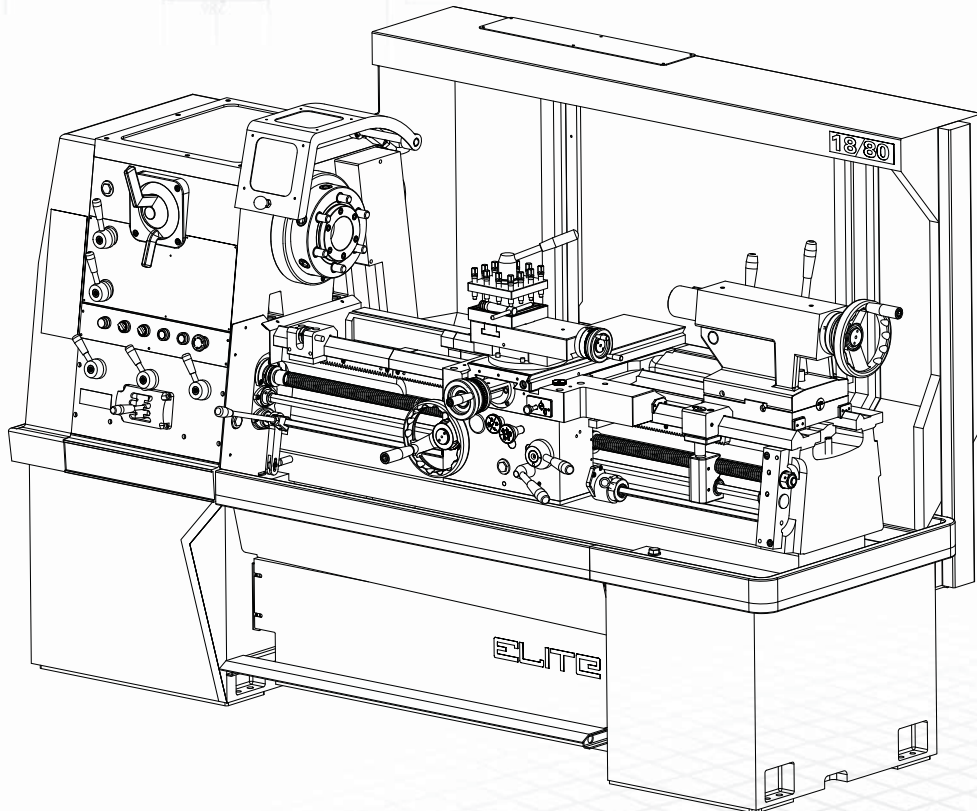
# ELITE

HIGH PERFORMANCE MACHINERY

Operating Instructions and Parts Manual

## 1800 Series Lathe

Models: EGH-1880 | EGH-2180 | EGH-21120

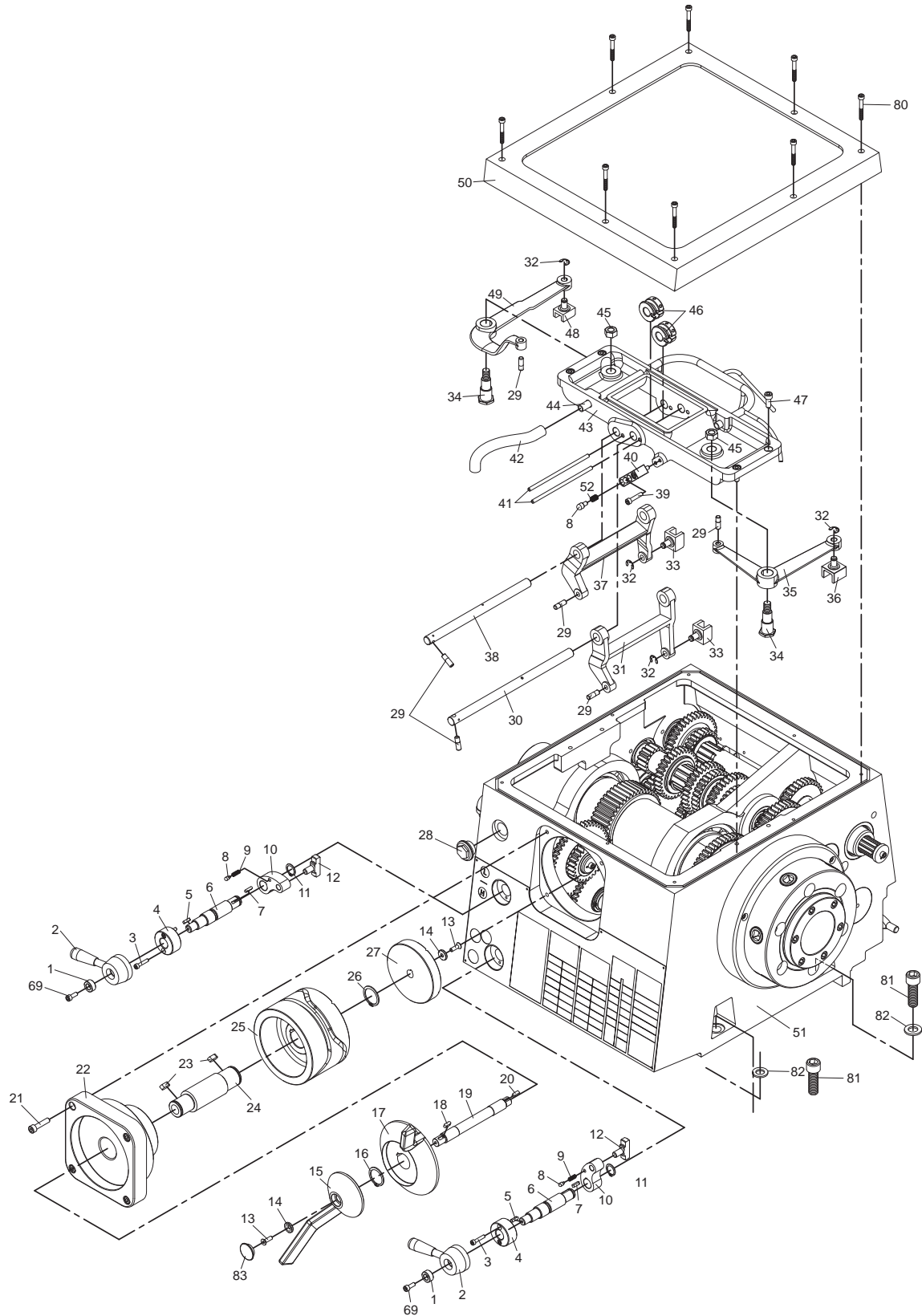


JET®

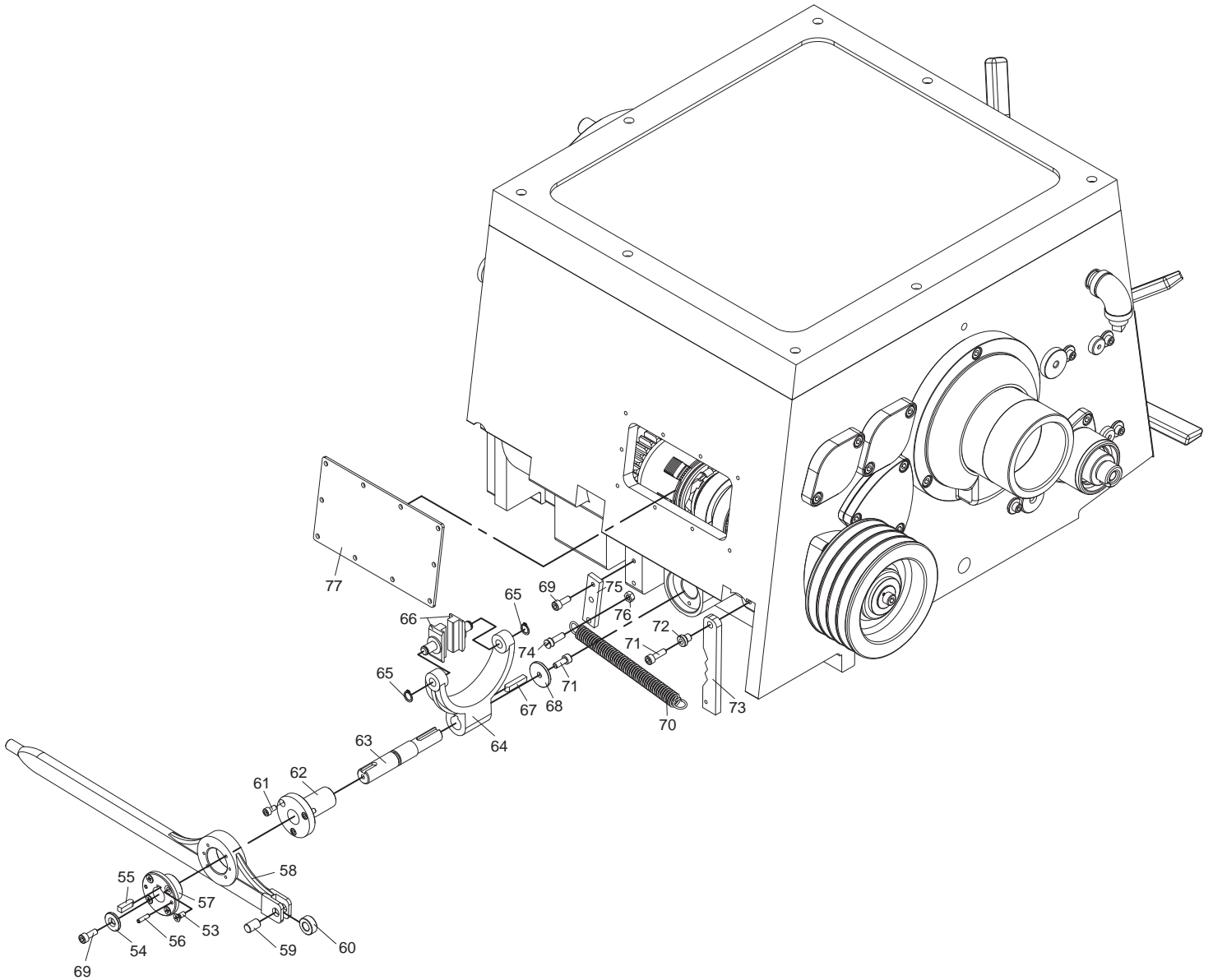
427 New Sanford Road  
LaVergne, Tennessee 37086  
www.jettools.com  
Ph.: 855-336-4032

Part No. M-EGH-1880  
REV D1 07/2015  
Copyright © 2015 JET

# HEADSTOCK ASSEMBLY 1



**HEADSTOCK ASSEMBLY 1**



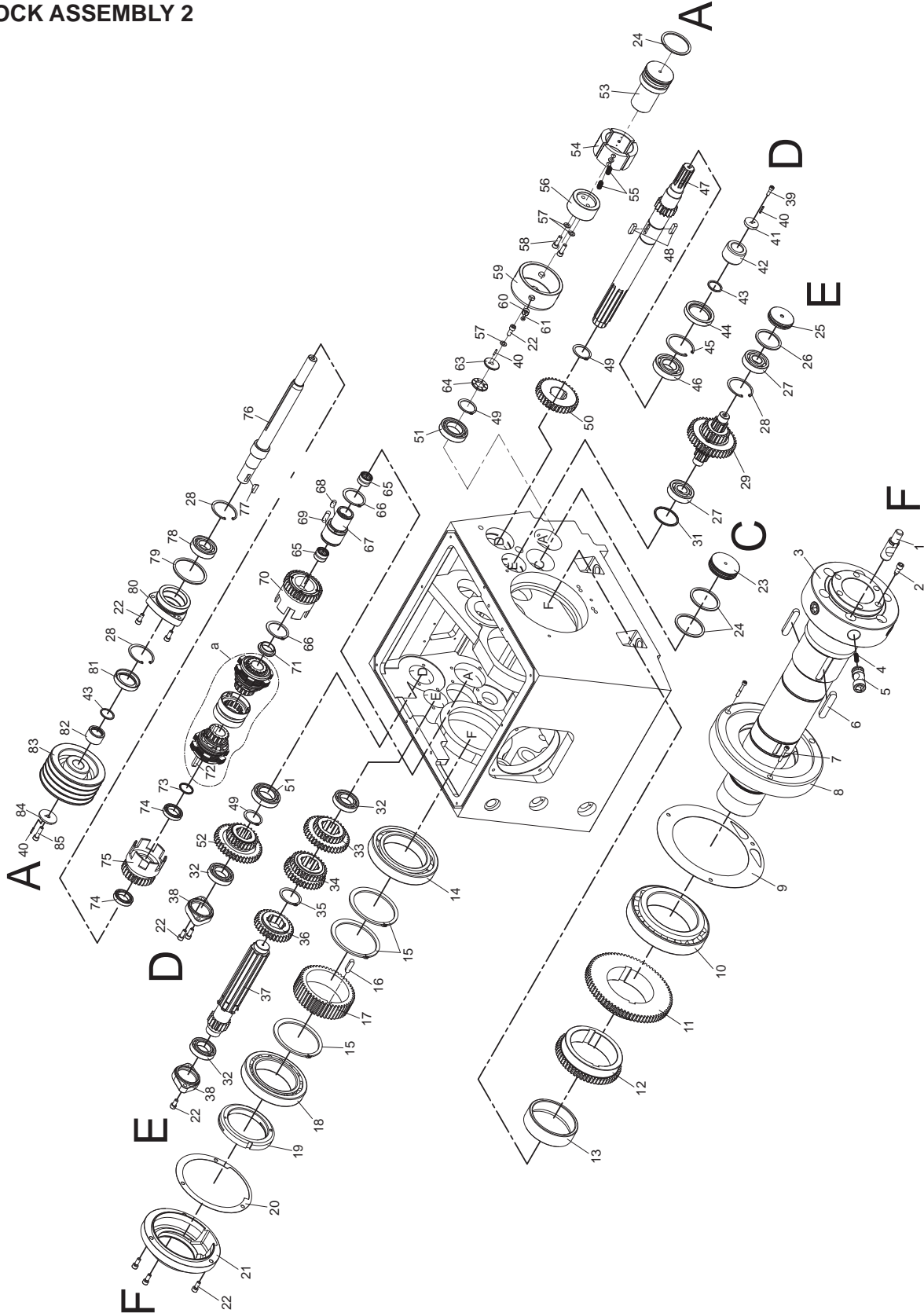


## HEADSTOCK ASSEMBLY 1 – PARTS LIST (16 SECTIONS HAVE CLUTCHES)

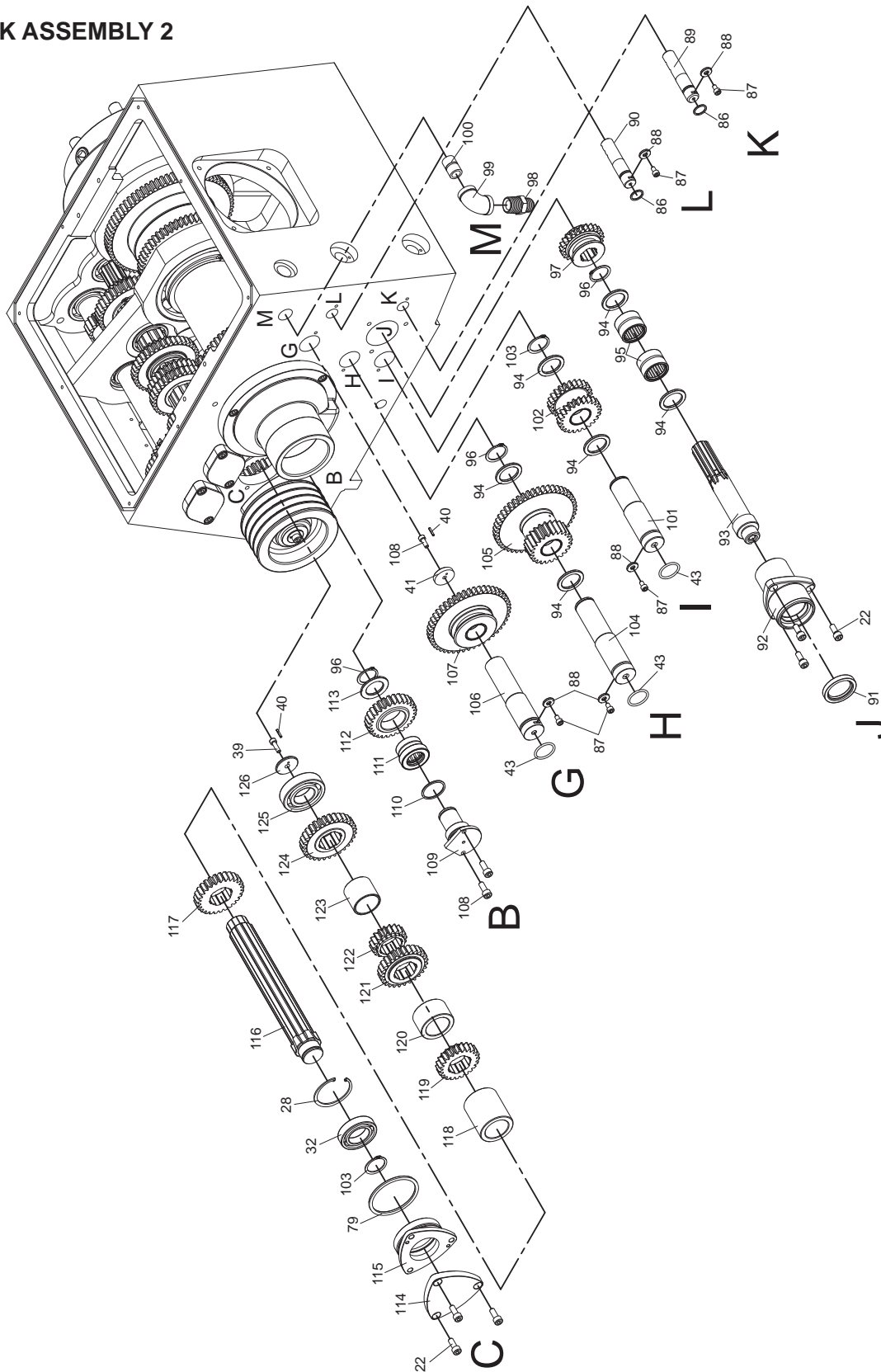
Index No.	Part No.	Description	Size	Qty.
1	EGH1880-1-A01	Washer		2
2	EGH1880-1-A02	Hub & Handle		2
3	TS-1502061	Hex. Socket Head Bolt	CAP 5x25	4
4	EGH1880-1-A04	Collar		2
5	EGH1880-1-A05	S Key	4x4x15	2
6	EGH1880-1-A06	Shaft		2
7	EGH1880-1-A07	Key	4x4x20	2
8	EGH1880-1-A08	Pin		4
9	EGH1880-1-A09	Spring		2
10	EGH1880-1-A10	Shift Levers		2
11	EGH1880-1-A11	Snap Ring	S18	2
12	EGH1880-1-A12	Change Speed Claw		2
13	EGH1880-1-A13	Flat Cross Screw	6x20	2
14	EGH1880-1-A14	Washer		2
15	EGH1880-1-A15	Speed Selector		1
16	EGH1880-1-A16	Snap Ring	S30	1
17	EGH1880-1-A17	Speed Selector		1
18	EGH1880-1-A18	Key	5x5x14	1
19	EGH1880-1-A19	Cam Shaft		1
20	EGH1880-1-A20	S Key	5x5x14	1
21	TS-1504071	Hex. Socket Head Bolt	CAP 8x35	4
22	EGH1880-1-A22	Cam Cover		1
23	EGH1880-1-A23	Key	7x7x18	2
24	EGH1880-1-A24	Cam Shaft		1
25	EGH1880-1-A25	Cam		1
26	EGH1880-1-A26	Snap Ring	S35	1
27	EGH1880-1-A27	Cam		1
28	EGH1880-1-A28	Oil Sight		1
29	EGH1880-1-A29	Pin		6
30	EGH1880-1-A30	Rod		1
31	EGH1880-1-A31	Lever		1
32	EGH1880-1-A32	Snap Ring	E10	4
33	EGH1880-1-A33	Change Speed Claw		2
34	EGH1880-1-A34	Bolt		2
35	EGH1880-1-A35	Lever		1
36	EGH1880-1-A36	Change Speed Claw		1
37	EGH1880-1-A37	Lever		1
38	EGH1880-1-A38	Rod		1
39	TS-1503071	Hex. Socket Head Bolt	CAP 6x30	2
40	EGH1880-1-A40	Bracket		1
41	EGH1880-1-A41	Rod		2
42	EGH1880-1-A42	Nylon Tube & Spring Assembly		1

Index No.	Part No.	Description	Size	Qty.
43	EGH1880-1-A43	Lever Frame		1
44	EGH1880-1-A44	Oil Pipe		1
45	TS-1540081	Nut	M12	2
46	EGH1880-1-A46	Collars		2
47	TS-1504041	Hex. Socket Head Bolt	CAP 8x20	4
48	EGH1880-1-A48	Change Speed Claw		1
49	EGH1880-1-A49	Lever		1
50	EGH1880-1-A50	Head Cover		1
51	EGH1880-1-A51	Headstock		1
	EGH2180-1-A51	Headstock		1
	EGH21120-1-A52	Headstock		1
52	EGH1880-1-A52	Spring		2
53	TS-2285121	Flat Cross Screw	5x12	4
54	EGH1880-1-A54	Washer		1
55	EGH1880-1-A55	S Key	6x6x20	1
56	EGH1880-1-A56	Spring Pin	Ø4x16	2
57	EGH1880-1-A57	Bush		1
58	EGH1880-1-A58	Lever		1
59	EGH1880-1-A59	Pin		1
60	EGH1880-1-A60	Roller		1
61	TS-1502021	Hex. Socket Head Bolt	CAP 5x10	3
62	EGH1880-1-A62	Sleeve		1
63	EGH1880-1-A63	Shaft		1
64	EGH1880-1-A64	Shift Fork		1
65	EGH1880-1-A65	Snap Ring	S10	2
66	EGH1880-1-A66	Set Aside One		2
67	EGH1880-1-A67	S Key	6x6x30	1
68	EGH1880-1-A68	Washer		1
69	TS-1503041	Hex. Socket Head Bolt	CAP 6x16	4
70	EGH1880-1-A70	Spring		1
71	TS-1503051	Hex. Socket Head Bolt	CAP 6x20	2
72	EGH1880-1-A72	Bush		1
73	EGH1880-1-A73	Pivot Plate		1
74	EGH1880-1-A74	Pin		1
75	EGH1880-1-A75	Bar		1
76	TS-1540041	Nut	M6	1
77	EGH1880-1-A77	Oil Tray		1
80	TS-1503101	Hex. Socket Head Bolt	CAP 6x45	8
81	EGH1880-1-A81	Hex. Socket Head Bolt	CAP 16x50	2
82	EGH1880-1-A82	Washer	Ø16.5xØ25x3t	2
83	EGH1880-1-A83	Plug		1

# HEADSTOCK ASSEMBLY 2



## HEADSTOCK ASSEMBLY 2







## HEADSTOCK ASSEMBLY – 2 PARTS LIST

Index No.	Part No.	Description	Size	Qty.
1	EGH1880-2-A01	Shaft		6
	EGH1880-2-A02A	Bolt Ass'y (includes No. 2-5)		1
2	EGH1880-2-A02	Bolt		6
3	EGH1880-2-A03	Spindle		1
4	EGH1880-2-A04	Spring		6
5	EGH1880-2-A05	Pin		6
6	EGH1880-2-A06	Key	15×10×78	2
7	TS-1503091	Hex. Socket Head Bolt	CAP 6×40	3
8	EGH1880-2-A08	Front Bearing Cover		1
9	EGH1880-2-A09	Asbestos Pad		1
10	EGH1880-2-A10	Taper Roller Bearing	32026	1
11	EGH1880-2-A11	Gear	75T	1
12	EGH1880-2-A12	Gear	56T	1
13	EGH1880-2-A13	Collar		1
14	EGH1880-2-A14	Ball Bearing	6022	1
15	EGH1880-2-A15	Snap Ring	S110	3
16	EGH1880-2-A16	Key	10×8×36	1
17	EGH1880-2-A17	Gear	48T	1
18	EGH1880-2-A18	Taper Roller Bearing	32021	1
19	EGH1880-2-A19	Nut		1
20	EGH1880-2-A20	Asbestos Pad		1
21	EGH1880-2-A21	Outside Cover		1
22	TS-1504041	Hex. Socket Head Bolt	CAP 8×20	17
23	EGH1880-2-A23	Plug		1
24	EGH1880-2-A24	O ring	G65	3
25	EGH1880-2-A25	Plug		1
26	EGH1880-2-A26	O Ring	G55	1
27	BB-6305	Ball Bearing	6305	2
28	EGH1880-2-A28	Snap Ring	R62	4
29	EGH1880-2-A29	Snap Ring(S65), 21T, 40T Assembly		1
30	EGH1880-2-A30	Shaft		1
31	EGH1880-2-A31	Collar		1
32	BB-6007	Ball Bearing	6007	4
33	EGH1880-2-A33	Gear 26T / 38T Assembly		1
34	EGH1880-2-A34	Gear 30T / 34T Assembly		1
35	EGH1880-2-A35	Snap Ring	S48	1
36	EGH1880-2-A36	Gear	32T	1
37	EGH1880-2-A37	Gear Shaft	16T	1
38	EGH1880-2-A38	Cover		2
39	TS-1503051	Hex. Socket Head Bolt	CAP 6×20	2
40	EGH1880-2-A40	Spring Pin	∅3×16	5
41	EGH1880-2-A41	Washer		2
42	EGH1880-2-A42	Collar		1

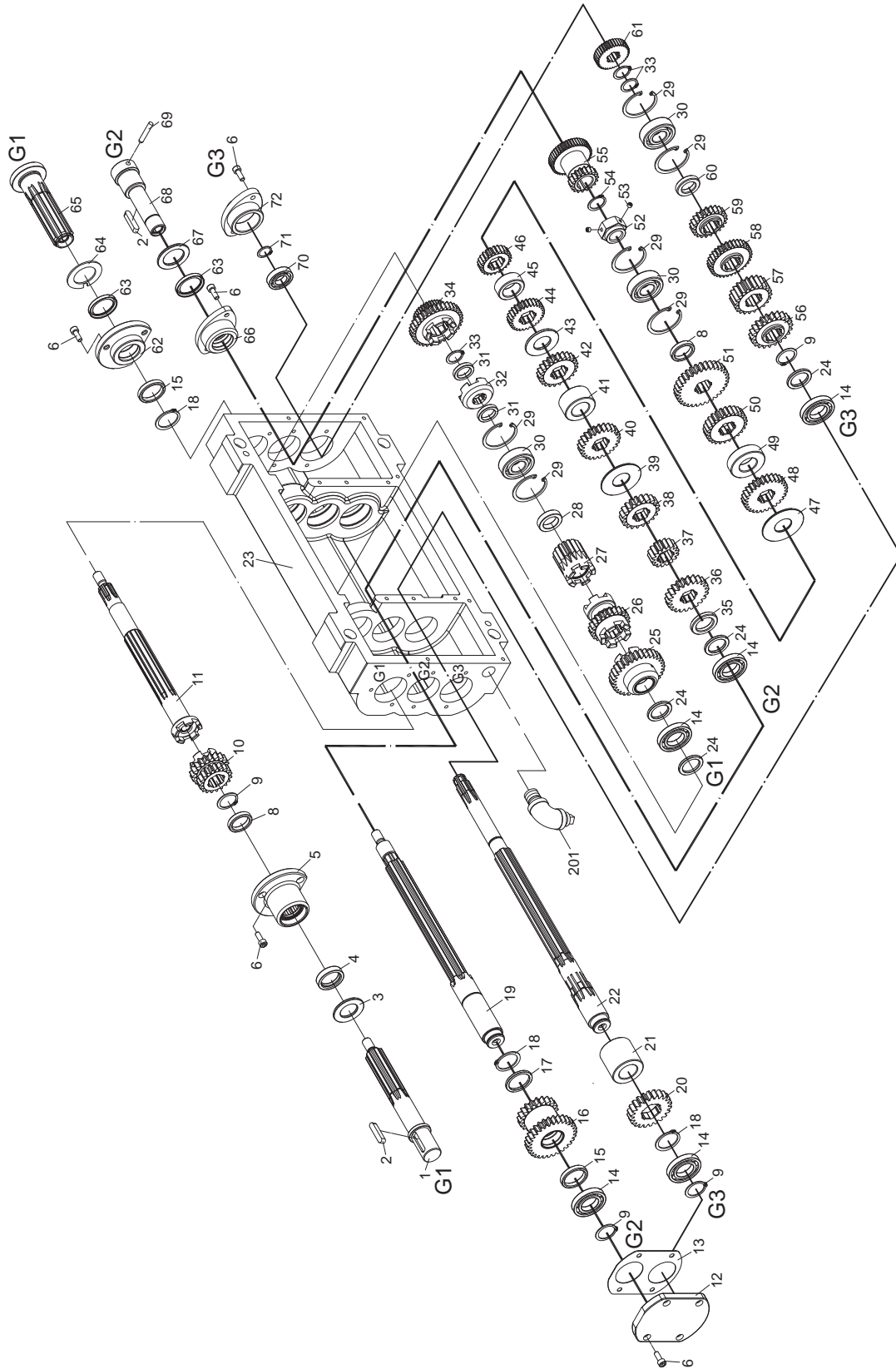


Index No.	Part No.	Description	Size	Qty.
43	EGH1880-2-A43	O Ring	P30	5
44	EGH1880-2-A44	Oil Seal	507212	1
45	EGH1880-2-A45	Snap Ring	R72	1
46	EGH1880-2-A46	Ball Bearing	6207RS	1
47	EGH1880-2-A47	Gear Shaft	16T	1
48	EGH1880-2-A48	Key	8×8×30	2
49	EGH1880-2-A49	Snap Ring	S40	3
50	EGH1880-2-A50	Gear	35T	1
51	BB-6008	Ball Bearing	6008	2
52	EGH1880-2-A52	Gear 25T / 40T Assembly		1
53	EGH1880-2-A53	Brake Shaft		1
54	EGH1880-2-A54	Brake Strap		4
55	EGH1880-2-A55	Spring		8
56	EGH1880-2-A56	Brake Disc		1
57	TS-1550061	Washer	M8	3
58	TS-1504051	Hex. Socket Head Bolt	CAP 8×25	2
59	EGH1880-2-A59	Brake Cylinder		1
60	EGH1880-2-A60	Brake Bush		4
61	TS-1514021	Flat Cross Screw	6×16	4
63	EGH1880-2-A63	Washer		1
64	EGH1880-2-A64	Collar		1
65	EGH1880-2-A65	Needle Bearing	NK22/20	2
66	EGH1880-2-A66	Snap Ring	S50	2
67	EGH1880-2-A67	Shaft		1
68	EGH1880-2-A68	Key	10×7×18	1
69	EGH1880-2-A69	Key	10×7×30	1
70	EGH1880-2-A70	Clutch & Gear 31T Assembly		1
71	EGH1880-2-A71	Copper Collar		1
72	EGH1880-2-A72	S Key	8×8×135	1
73	EGH1880-2-A73	Copper Collar		1
74	EGH1880-2-A74	Ball Bearing	6906	2
75	EGH1880-2-A75	Clutch & Gear 27T Assembly		1
76	EGH1880-2-A76	Shaft		1
77	EGH1880-2-A77	Woodruff Key	Ø25×7	1
78	BB-6206	Ball Bearing	6206	1
79	EGH1880-2-A79	O Ring	G75	2
80	EGH1880-2-A80	Bearing Seat		1
81	EGH1880-2-A81	Oil Seal	406212	1
82	EGH1880-2-A82	Collar		1
83	EGH1880-2-A83	Pulley		1
84	EGH1880-2-A84	Washer		1
85	TS-1504061	Hex. Socket Head Bolt	CAP 8×30	1
86	EGH1880-2-A86	O Ring	G16	2

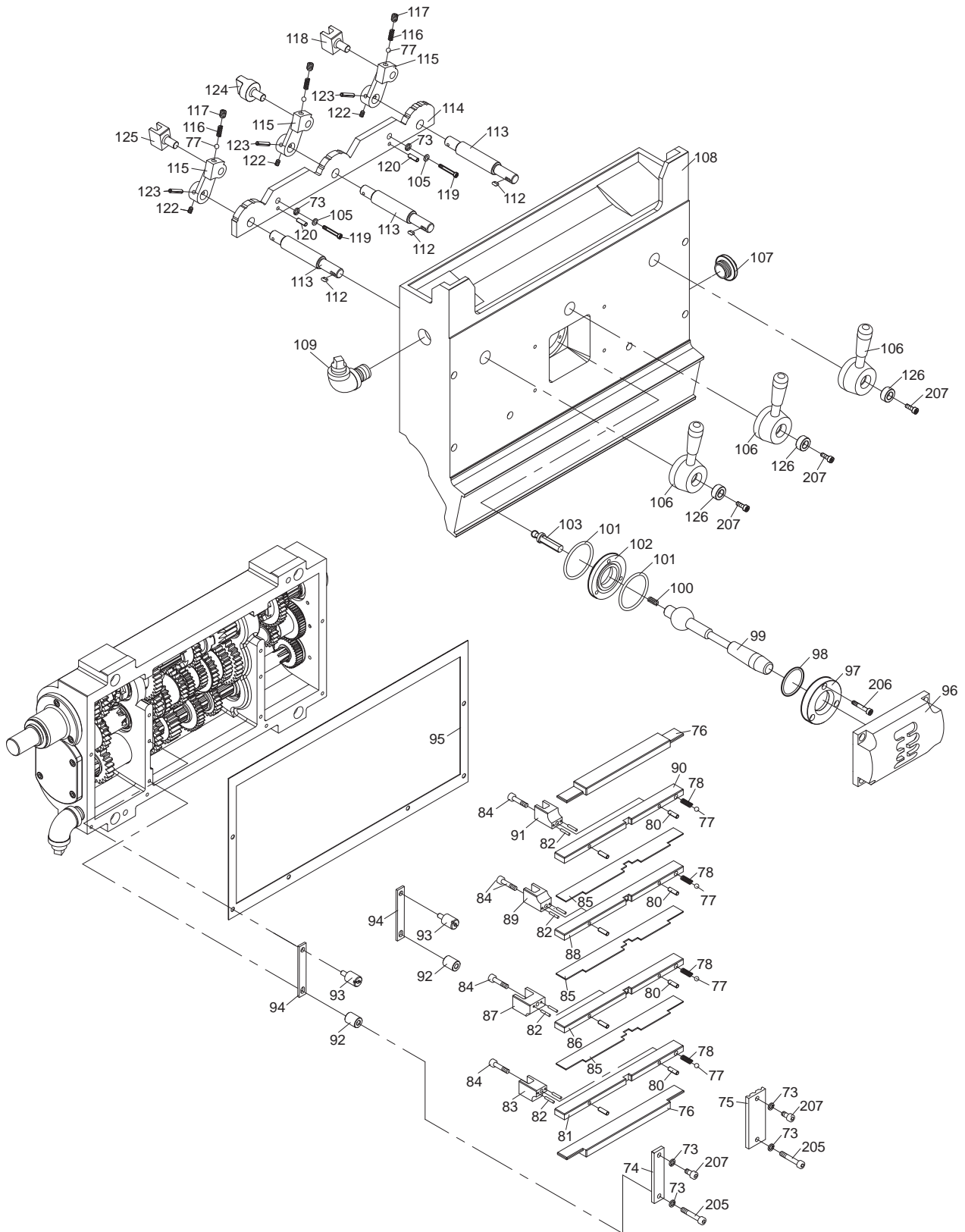


Index No.	Part No.	Description	Size	Qty.
87	TS-1503031	Hex. Socket Head Bolt	CAP 6×12	5
88	EGH1880-2-A88	Washer		5
89	EGH1880-2-A89	Shaft		1
90	EGH1880-2-A90	Shaft		1
91	EGH1880-2-A91	Oil Seal	385508	1
92	EGH1880-2-A92	Flanged Bearing		1
93	EGH1880-2-A93	Shaft	J	1
94	EGH1880-2-A94	Collar		6
95	EGH1880-2-A95	Needle Bearing	32×30	2
96	EGH1880-2-A96	Snap Ring	S30	2
97	EGH1880-2-A97	Gear	24T	1
98	EGH1880-2-A98	Fitting	3/4" × 5/8"	1
99	EGH1880-2-A99	Female Elbow	3/4"× 90°	1
100	EGH1880-2-A100	Nipple	3/4"× 1"	1
101	EGH1880-2-A101	Shaft	I	1
102	EGH1880-2-A102	Gear	24T	1
103	EGH1880-2-A103	Snap Ring	S32	3
104	EGH1880-2-A104	Shaft	H	1
105	EGH1880-2-A105	Gear 24T / 48T Assembly		1
106	EGH1880-2-A106	Shaft	G	1
107	EGH1880-2-A107	Gear 48T / 24T Assembly		1
108	TS-1503041	Hex. Socket Head Bolt	CAP 6×16	3
109	EGH1880-2-A109	Shaft	B	1
110	EGH1880-2-A110	O Ring	G35	1
111	EGH1880-2-A111	Bearing	NAX3030	1
112	EGH1880-2-A112	Gear	28T	1
113	EGH1880-2-A113	Washer		1
114	EGH1880-2-A114	Collar		1
115	EGH1880-2-A115	Flanged Bearing	C	1
116	EGH1880-2-A116	Shaft	C	1
117	EGH1880-2-A117	Gear	27T	1
118	EGH1880-2-A118	Collar		1
119	EGH1880-2-A119	Gear	23T	1
120	EGH1880-2-A120	Collar		1
121	EGH1880-2-A121	Gear	27T	1
122	EGH1880-2-A122	Gear	19T	1
123	EGH1880-2-A123	Collar		1
124	EGH1880-2-A124	Gear	31T	1
125	BB-6207	Ball Bearing	6207	1
126	EGH1880-2-A126	Washer		1
a		Clutch	ZC30DGDW	1

## GEARBOX ASSEMBLY



# GEARBOX ASSEMBLY



## GEARBOX ASSEMBLY PARTS LIST

Index No.	Part No.	Description	Size	Qty.
1	EGH1880-B01	Shaft		1
2	EGH1880-B02	Key	7×7×35	2
3	EGH1880-B03	Washer		1
4	EGH1880-B04	Oil Seal	253708	1
5	EGH1880-B05	Needle Bearing	TAF253320	2
6	TS-1503041	Hex. Socket Head Bolt	CAP 6×16	14
7	EGH1880-B07	Axle Seat	I	1
8	EGH1880-B08	Washer		2
9	EGH1880-B09	Snap Ring	S25	4
10	EGH1880-B10	Gear	19T/19T	1
11	EGH1880-B11	Shaft		1
12	EGH1880-B12	Cover		1
13	EGH1880-B13	Asbestos Pad		1
14	BB-16005	Ball Bearing	16005	5
15	EGH1880-B15	Washer		2
16	EGH1880-B16	Gear	20T/30T	1
17	EGH1880-B17	Washer		1
18	EGH1880-B18	Snap Ring	S30	3
19	EGH1880-B19	Shaft		1
20	EGH1880-B20	Gear	22T	1
21	EGH1880-B21	Washer		1
22	EGH1880-B22	Shaft		1
23	EGH1880-B23	Gear Box		1
24	EGH1880-B24	Washer		4
25	EGH1880-B25	Gear	32T	1
26	EGH1880-B26	Gear	23T	1
27	EGH1880-B27	Gear	16T	1
28	EGH1880-B28	Washer		1
29	EGH1880-B29	Snap Ring	R47	6
30	BB-6204	Ball Bearing	6204	3
31	EGH1880-B31	Washer		2
32	EGH1880-B32	Clutch		1
33	EGH1880-B33	Snap Ring	S20	3
34	EGH1880-B34	Gear	35T/35T	1
35	EGH1880-B35	Washer		1
36	EGH1880-B36	Gear	22T	1
37	EGH1880-B37	Gear	16T	1
38	EGH1880-B38	Gear	20T	1
39	EGH1880-B39	Washer		1
40	EGH1880-B40	Gear	24T	1
41	EGH1880-B41	Washer		1
42	EGH1880-B42	Gear	23T	1
43	EGH1880-B43	Washer		1
44	EGH1880-B44	Gear	27T	1

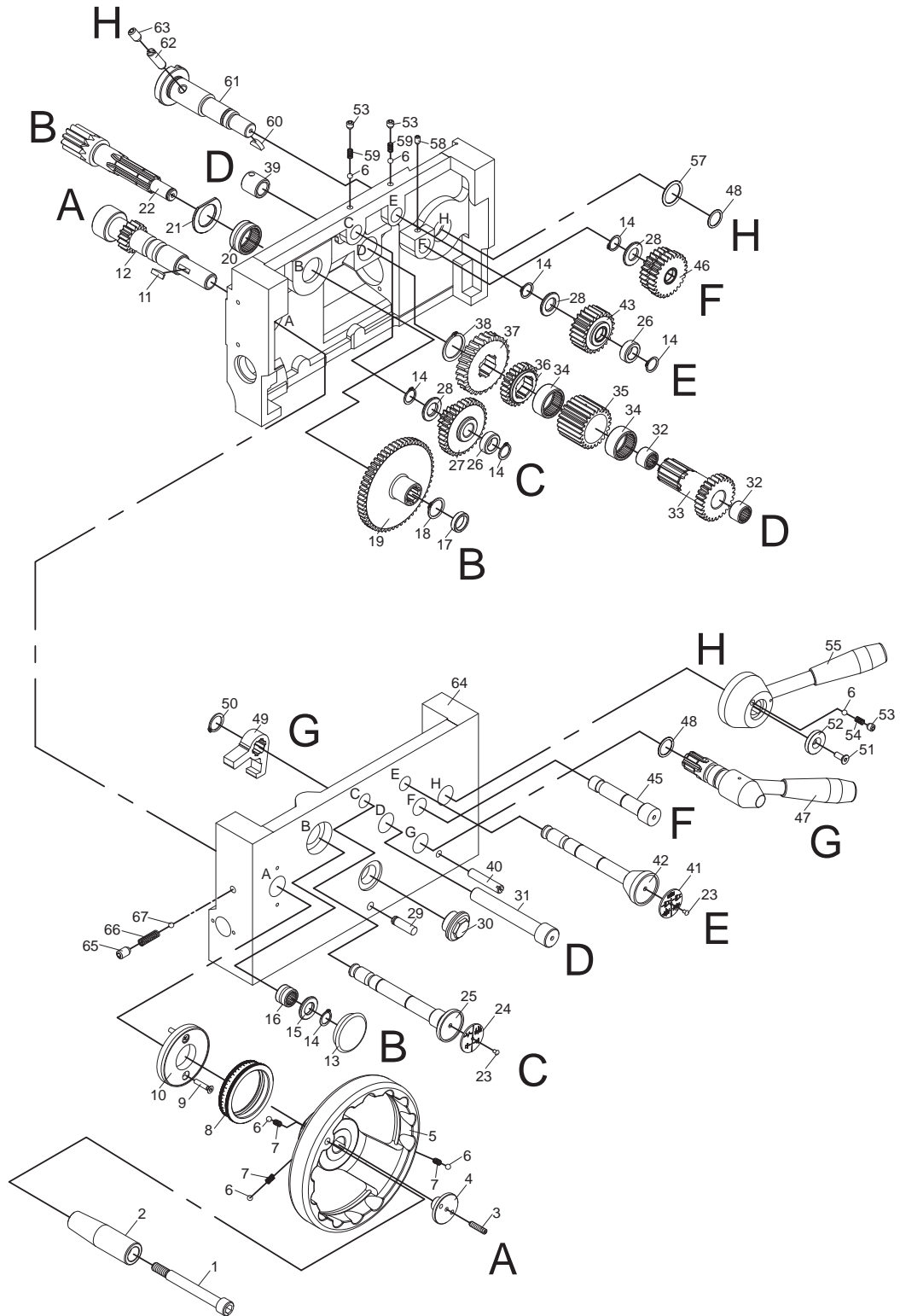


Index No.	Part No.	Description	Size	Qty.
45	EGH1880-B45	Washer		1
46	EGH1880-B46	Gear	24T	1
47	EGH1880-B47	Washer		1
48	EGH1880-B48	Gear	28T	1
49	EGH1880-B49	Washer		1
50	EGH1880-B50	Gear	26T	1
51	EGH1880-B51	Gear	32T	1
52	EGH1880-B52	Nut		1
53	TS-1523011	Set Screw	SET 6×6	2
54	EGH1880-B54	Snap Ring	S22	1
55	EGH1880-B55	Gear	45T/18T	1
56	EGH1880-B56	Gear	22T	1
57	EGH1880-B57	Gear	22T	1
58	EGH1880-B58	Gear	33T	1
59	EGH1880-B59	Gear	22T	1
60	EGH1880-B60	Washer		1
61	EGH1880-B61	Gear	36T	1
62	EGH1880-B62	Axle Seat		1
63	EGH1880-B63	Oil Seal	304005	2
64	EGH1880-B64	Washer		1
65	EGH1880-B65	Shaft		1
66	EGH1880-B66	Axle Seat		1
67	EGH1880-B67	Washer		1
68	EGH1880-B68	Shaft		1
69	EGH1880-B69	Pin	Ø6×36	1
70	BB-16003	Ball Bearing	16003	1
71	EGH1880-B71	Snap Ring	S17	1
72	EGH1880-B72	Bearing Seat		1
73	TS-2361061	Spring Washer	M6	7
74	EGH1880-B74	Shoulder Plate		1
75	EGH1880-B75	Reverse-Stop		1
76	EGH1880-B76	Upper Plate		2
77	EGH1880-B77	Steel Ball	1/4"	7
78	EGH1880-B78	Spring		4
80	EGH1880-B80	Spring Pin	5x16	8
81	EGH1880-B81	Fort Support		1
82	EGH1880-B82	Spring Pin	Ø5x16	8
83	EGH1880-B83	Fork		1
84	TS-1502051	Hex. Socket Head Bolt	CAP 5x20	4
85	EGH1880-B85	Partition		3
86	EGH1880-B86	Fort Support		1
87	EGH1880-B87	Fork		1
88	EGH1880-B88	Fort Support		1
89	EGH1880-B89	Fork		1
90	EGH1880-B90	Fort Support		1

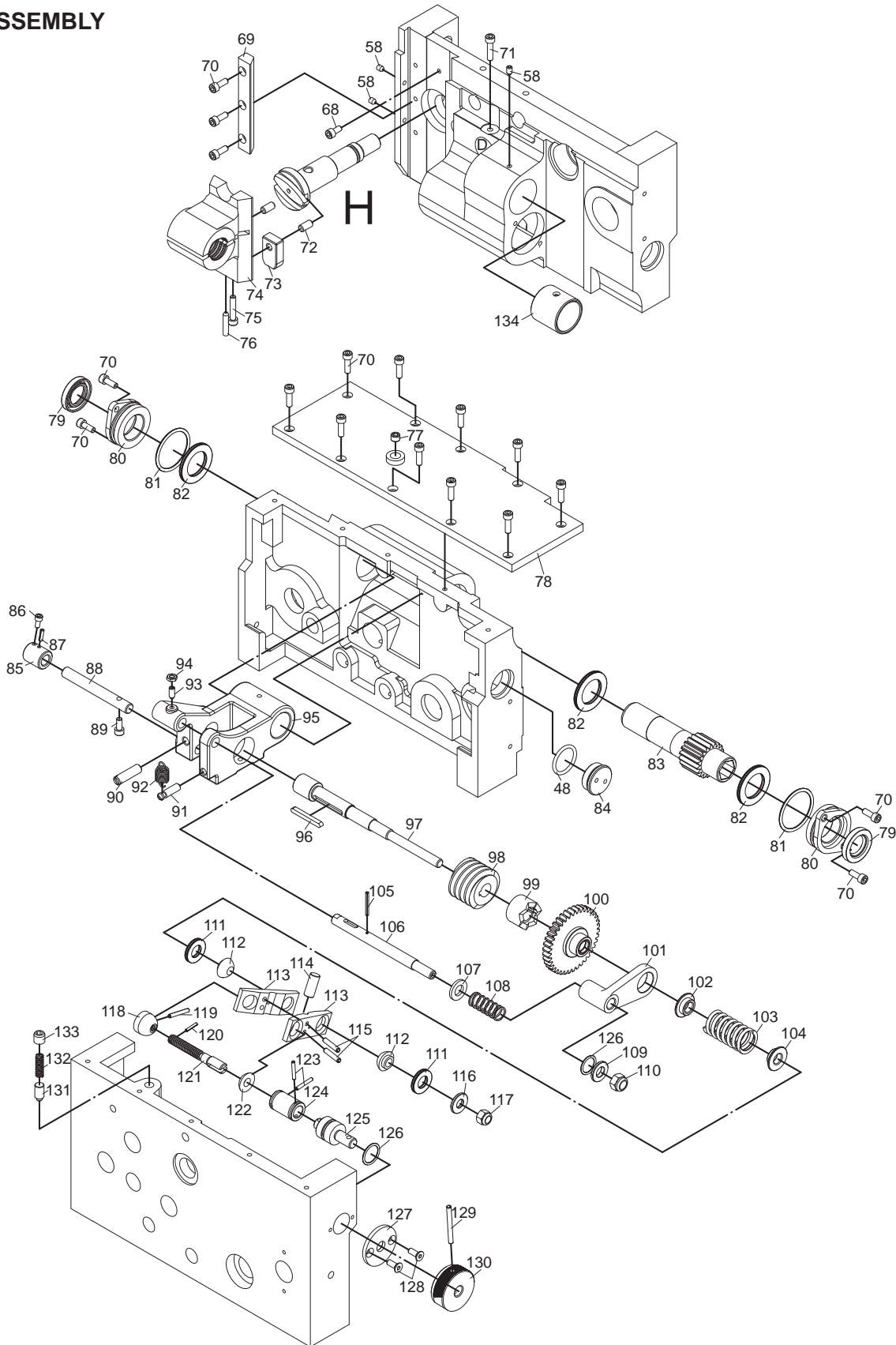
Index No.	Part No.	Description	Size	Qty.
91	EGH1880-B91	Fork		1
92	EGH1880-B92	Spacer		2
93	EGH1880-B93	Partition Nut		2
94	EGH1880-B94	Fixed Plate		2
95	EGH1880-B95	Seal		1
96	EGH1880-B96	Specifying Base		1
97	EGH1880-B97	Selector Lever Cover		1
98	EGH1880-B98	O-Ring	G35	1
99	EGH1880-B99	Selector Lever		1
100	EGH1880-B100	Spring		1
101	EGH1880-B101	O-Ring	G40	2
102	EGH1880-B102	Selector Lever Support		1
103	EGH1880-B103	Selector Lever		1
104	EGH1880-B104	Plug		3
105	TS-1550041	Washer	M6	2
106	EGH1880-B106	Hub & Handle		3
107	EGH1880-B107	Oil Sight		1
108	EGH1880-B108	Gearbox Cover		1
	EGH2180-B108	Gearbox Cover		1
109	EGH1880-B109	Nipple	3/4"	1
110	EGH1880-B110	Elbow	3/4"	1
111	EGH1880-B111	Square Head Plug	3/4"	1
112	EGH1880-B112	Key	4x4x10	3
113	EGH1880-B113	Shaft		3
	EGH2180-B113	Shaft		3
114	EGH1880-B114	Selector Bar		1
115	EGH1880-B115	Lever		3
116	EGH1880-B116	Spring		3
117	TS-1524011	Set Screw	SET 8x8	3
118	EGH1880-B118	Fork		1
119	TS-1503051	Hex. Socket Head Bolt	CAP6x20	2
120	EGH1880-B120	Spring Pin	5x16	2
122	TS-1523011	Set Screw	SET 6x6	3
123	EGH1880-B123	Spring Pin	Ø4x24	3
124	EGH1880-B124	Fork		1
125	EGH1880-B125	Fork		1
126	EGH1880-B126	Washer		3
201	EGH1880-B201	Square Head Plug	1/2"	1
202	EGH1880-B202	Elbow	1/2"	1
203	EGH1880-B203	Nipple	1/2"	1
204	TS-1503031	Hex. Socket Head Bolt	CAP 6x12	3
205	TS-1503091	Hex. Socket Head Bolt	CAP 6x40	2
206	TS-1502061	Hex. Socket Head Bolt	CAP 5x25	3
207	TS-1503041	Hex. Socket Head Bolt	CAP 6x16	5



# APRON (L.H) ASSEMBLY



**APRON ASSEMBLY**





## APRON (L.H) ASSEMBLY PARTS LIST

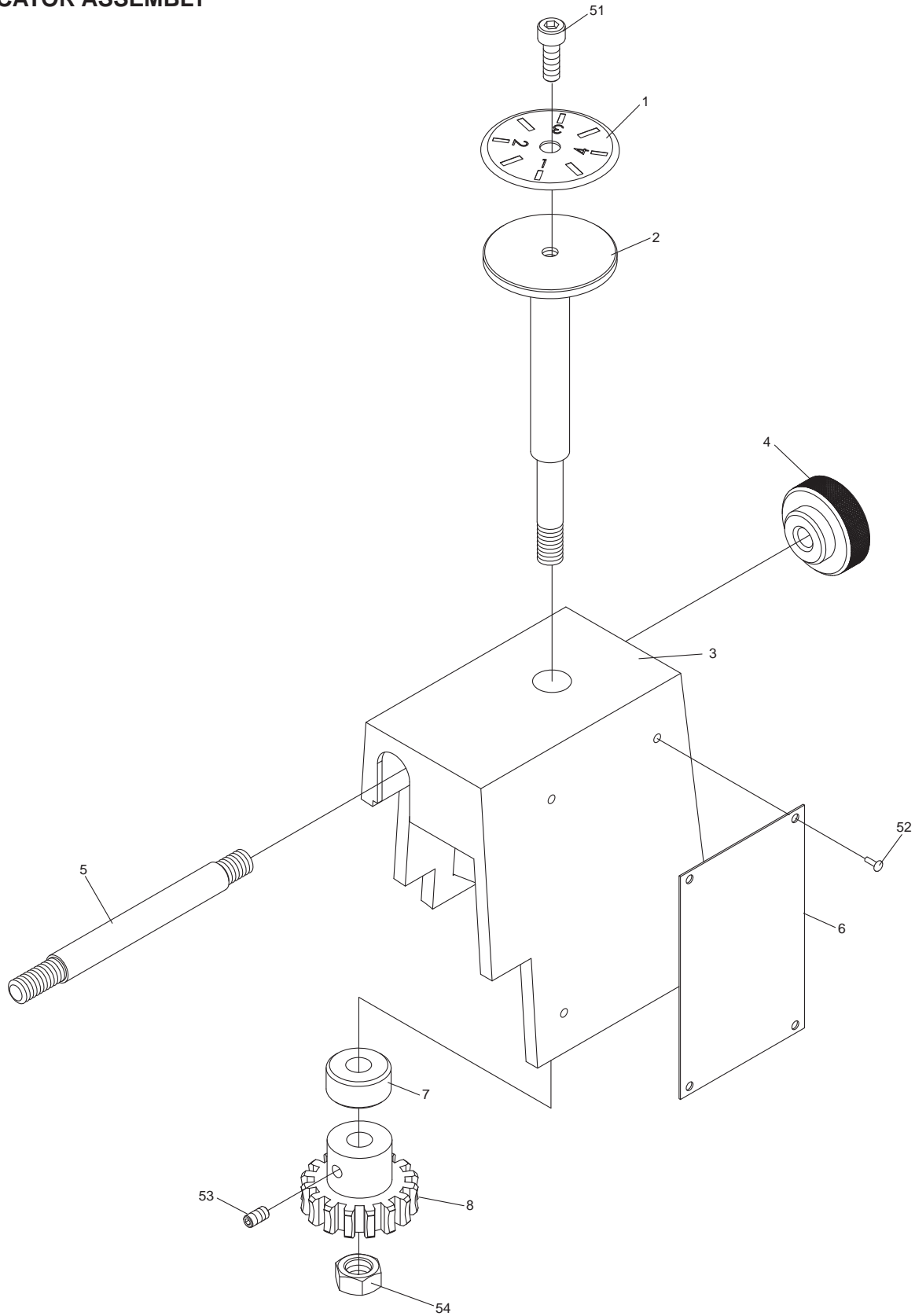
Index No.	Part No.	Description	Size	Qty.
1	EGH1880-C01	Handle		1
2	EGH1880-C02	Handle		1
3	TS-1523071	Set Screw	SET 6×25	1
4	EGH1880-C04	Bolt		1
5	EGH1880-C05	Hand Wheel		1
6	EGH1880-C06	Steel Ball	1/4"	6
7	EGH1880-C07	Spring		3
8	EGH1880-C08	Index Ring		1
9	TS-1513021	Flat Hexagon Screw	5×12	2
10	EGH1880-C10	Shaft Liner		1
11	EGH1880-C11	Woodruff Key	Ø19×5	1
12	EGH1880-C12	Gear Shaft	(A)	1
13	EGH1880-C13	Plug		1
14	EGH1880-C14	Snap Ring	S18	6
15	EGH1880-C15	Collar		1
16	EGH1880-C16	Needle Bearing	18/20	1
17	EGH1880-C17	Washer		1
18	EGH1880-C18	Snap Ring	S25	1
19	EGH1880-C19	Gear	56T	1
20	EGH1880-C20	Needle Bearing	28/20	1
21	EGH1880-C21	Washer		1
22	EGH1880-C22	Gear Shaft	(B)	1
23	EGH1880-C23	Rivet	2.8×10	2
24	EGH1880-C24	Name Plate		1
25	EGH1880-C25	Shaft	C	1
26	EGH1880-C26	Collar		2
27	EGH1880-C27	Gear	15T/33T	1
28	EGH1880-C28	Collar		3
29	EGH1880-C29	Pin		1
30	EGH1880-C30	Oil Sight		1
31	EGH1880-C31	Shaft	D	1
32	EGH1880-C32	Needle Bearing	TLA1616	2
33	EGH1880-C33	Gear Shaft	26T	1
34	EGH1880-C34	Needle Bearing	TLA3016	2
35	EGH1880-C35	Gear	24T	1
36	EGH1880-C36	Gear	24T	1
37	EGH1880-C37	Worm Wheel		1
38	EGH1880-C38	Snap Ring	S30	1
39	EGH1880-C39	Collar	D	1
40	EGH1880-C40	Pin		1
41	EGH1880-C41	Name Plate		1
42	EGH1880-C42	Shaft	E	1
43	EGH1880-C43	Gear	24T	1
45	EGH1880-C45	Shaft	F	1

Index No.	Part No.	Description	Size	Qty.
46	EGH1880-C46	Gear	24T/26T	1
47	EGH1880-C47	Handle, Sleeve & Spring Pin( $\Phi$ 3×24) Assembly		1
48	EGH1880-C48	O Ring	P21	3
49	EGH1880-C49	Elasticity Pole		1
50	EGH1880-C50	Snap Ring	S21	1
51	TS-1514021	Flat Hexagon Screw	6×16	1
52	EGH1880-C52	Washer		1
53	TS-1524011	Set Screw	SET 8×8	3
54	EGH1880-C54	Spring		1
55	EGH1880-C55	Lead Nut Lever Assembly		1
57	EGH1880-C57	O Ring	G25	1
58	TS-1523021	Set Screw	SET 6×8	4
59	EGH1880-C59	Spring		2
60	EGH1880-C60	Key	$\varnothing$ 16×5	1
61	EGH1880-C61	Cam Shaft		1
62	TS-2279351	Set Screw	SET 10×35	1
63	TS-1525011	Set Screw	SET 10×10	1
64	EGH1880-C64	Apron		1
65	TS-1525031	Set Screw	SET 10×16	1
66	EGH1880-C66	Spring		1
67	EGH1880-C67	Steel Ball	3/8"	1
68	TS-1503031	Hexagon Socket Head Bolt	CAP 6×12	1
69	EGH1880-C69	Adjust Plate		1
70	TS-1503041	Hexagon Socket Head Bolt	CAP 6×16	17
71	TS-1503071	Hexagon Socket Head Bolt	CAP 6×30	1
72	EGH1880-C72	Pin		2
73	EGH1880-C73	Slide Plate		1
74	EGH1880-C74	Half Nut		1
75	TS-1503071	Hexagon Socket Head Bolt	CAP 6×30	1
76	EGH1880-C76	Set Screw	SET 6×30	1
77	EGH1880-C77	Hexagon Socket Head Plug	PT1/4"	1
78	EGH1880-C78	Plate		1
79	EGH1880-C79	Oil Seal	30×40×5	2
80	EGH1880-C80	Sleeve		2
81	EGH1880-C81	O Ring	G45	2
82	EGH1880-C82	Thrust Bearing	NTB3047/AS2	3
83	EGH1880-C83	Pinion		1
84	EGH1880-C84	Nut		1
85	EGH1880-C85	Spacer		1
86	TS-1503031	Hexagon Socket Head Bolt	CAP6×12	1
87	EGH1880-C87	Spring Pin	4×16	1
88	EGH1880-C88	Pin		1
89	TS-1502061	Hexagon Socket Head Bolt	CAP5×25	1
90	EGH1880-C90	Pin		1
91	EGH1880-C91	Pin		1



Index No.	Part No.	Description	Size	Qty.
92	EGH1880-C92	Spring		1
93	EGH1880-C93	Set Screw	SET 6×14	1
94	TS-1541021	Nylon Jam Nut	M6	1
95	EGH1880-C95	Bracket		1
96	EGH1880-C96	Key	5×5×45	1
97	EGH1880-C97	Shaft		1
98	EGH1880-C98	Worm		1
99	EGH1880-C99	Clutch		1
100	EGH1880-C100	Clutch Gear		1
101	EGH1880-C101	Lever Arm		1
102	EGH1880-C102	Washer		1
103	EGH1880-C103	Spring		1
104	EGH1880-C104	Washer		1
105	EGH1880-C105	Spring Pin	4×24	1
106	EGH1880-C106	Trip Rod		1
107	EGH1880-C107	Washer		1
108	EGH1880-C108	Spring		1
109	EGH1880-C109	Washer		1
110	TS-2342121	Nylon Jam Nut	M12	1
111	EGH1880-C111	Thrust Bearing	NTB1528/AS2	2
	EGH1880-C112A	Flanged Bearing Ass'y (No. 112-115)		1
112	EGH1880-C112	Flanged Bearing		2
113	EGH1880-C113	Plate Assembly		1
114	EGH1880-C114	Pin		1
115	EGH1880-C115	Spring Pin	Ø5×30	2
116	EGH1880-C116	Washer		1
117	TS-1541041	Nylon Jam Nut	M10	1
118	EGH1880-C118	Nut		1
119	EGH1880-C119	Spring Pin	4×24	1
120	EGH1880-C120	Spring Pin	3×16	1
121	EGH1880-C121	Rod		1
122	EGH1880-C122	Washer		1
	EGH1880-C123A	Spring Pin Ass'y (No. 120-130)	3x24	1
123	EGH1880-C123	Spring Pin	3×24	2
124	EGH1880-C124	Coupling		1
125	EGH1880-C125	Shaft		1
126	EGH1880-C126	O Ring	P18	2
127	EGH1880-C127	Washer		1
128	TS-1513031	Flat Hexagon Screw	5×16	2
129	EGH1880-C129	Spring Pin	5×36	1
130	EGH1880-C130	Sleeve		1
131	EGH1880-C131	Pin		1
132	EGH1880-C132	Spring		1
133	TS-1526011	Set Screw	SET 12×12	1
134	EGH1880-C134	Spacer		1

**DIAL INDICATOR ASSEMBLY**



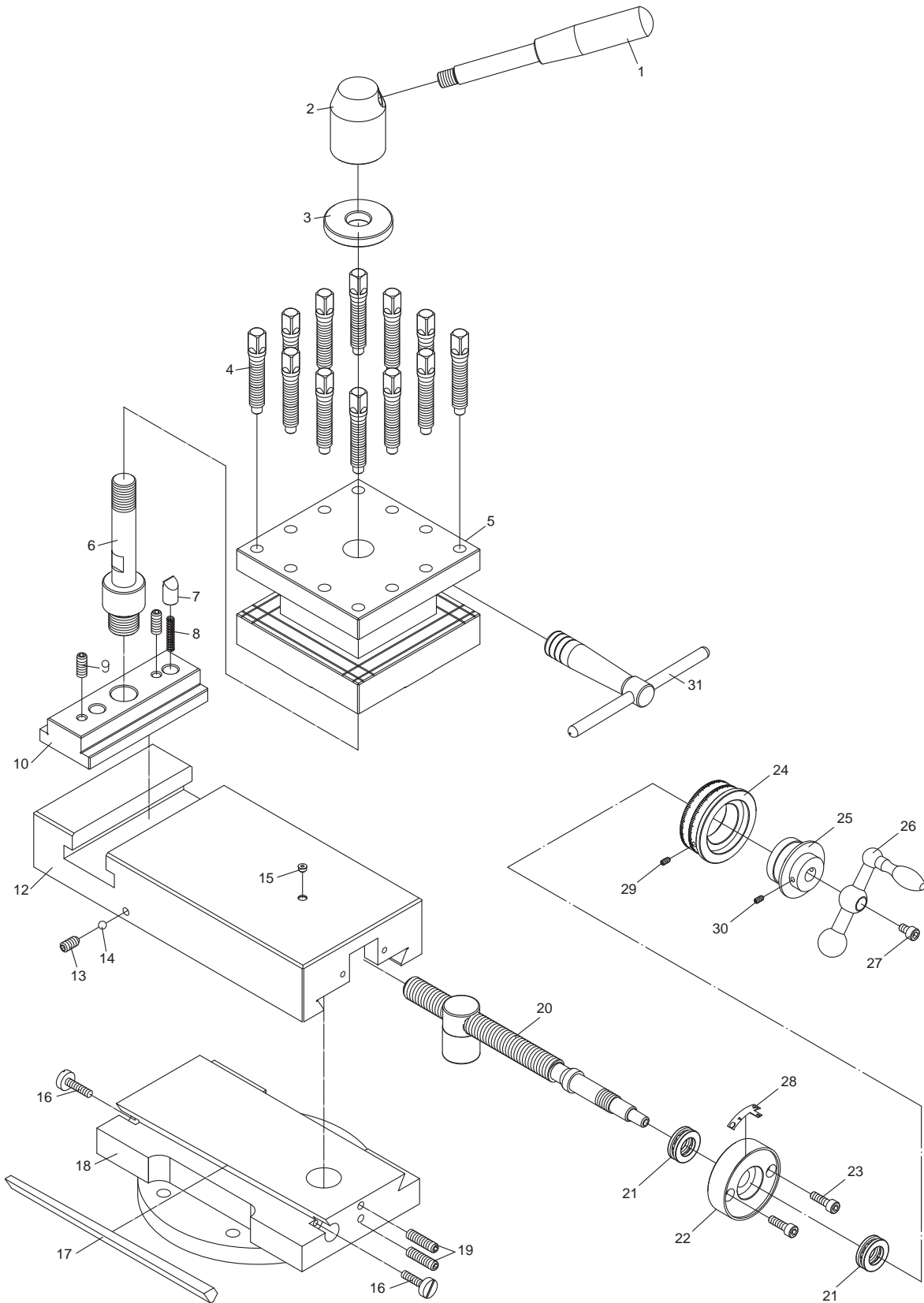


## DIAL INDICATOR ASSEMBLY PARTS LIST

Index No.	Part No.	Description	Size	Qty.
1	EGH1880-D01	Pilot Plate		1
2	EGH1880-D02	Gear Pivot		1
3	EGH1880-D03	Body		1
4	EGH1880-D04	Nut		1
5	EGH1880-D05	Stud		1
6	EGH1880-D06	Threading Plate		1
7	EGH1880-D07	Spacer		1
8	EGH1880-D08	Dial Gear	16T	1
51	EGH1880-D51	Hex. Socket Head Bolt		1
52	EGH1880-D52	Rivet	Ø2	4
53	TS-1523011	Set Screw	SET 6x6	1
54	EGH1880-D54	Hexagon Nut		1



**4 WAY TOOL POST**

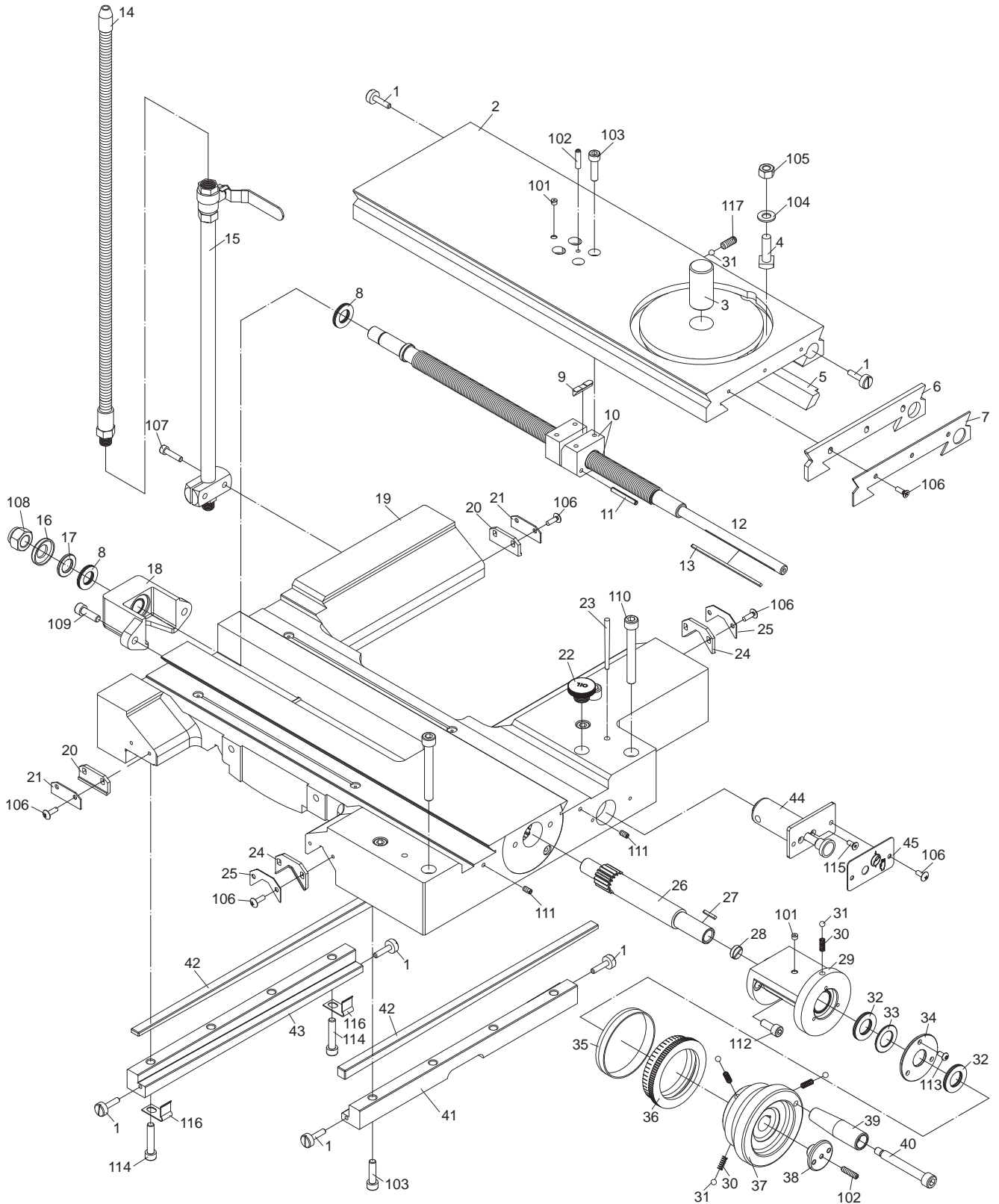




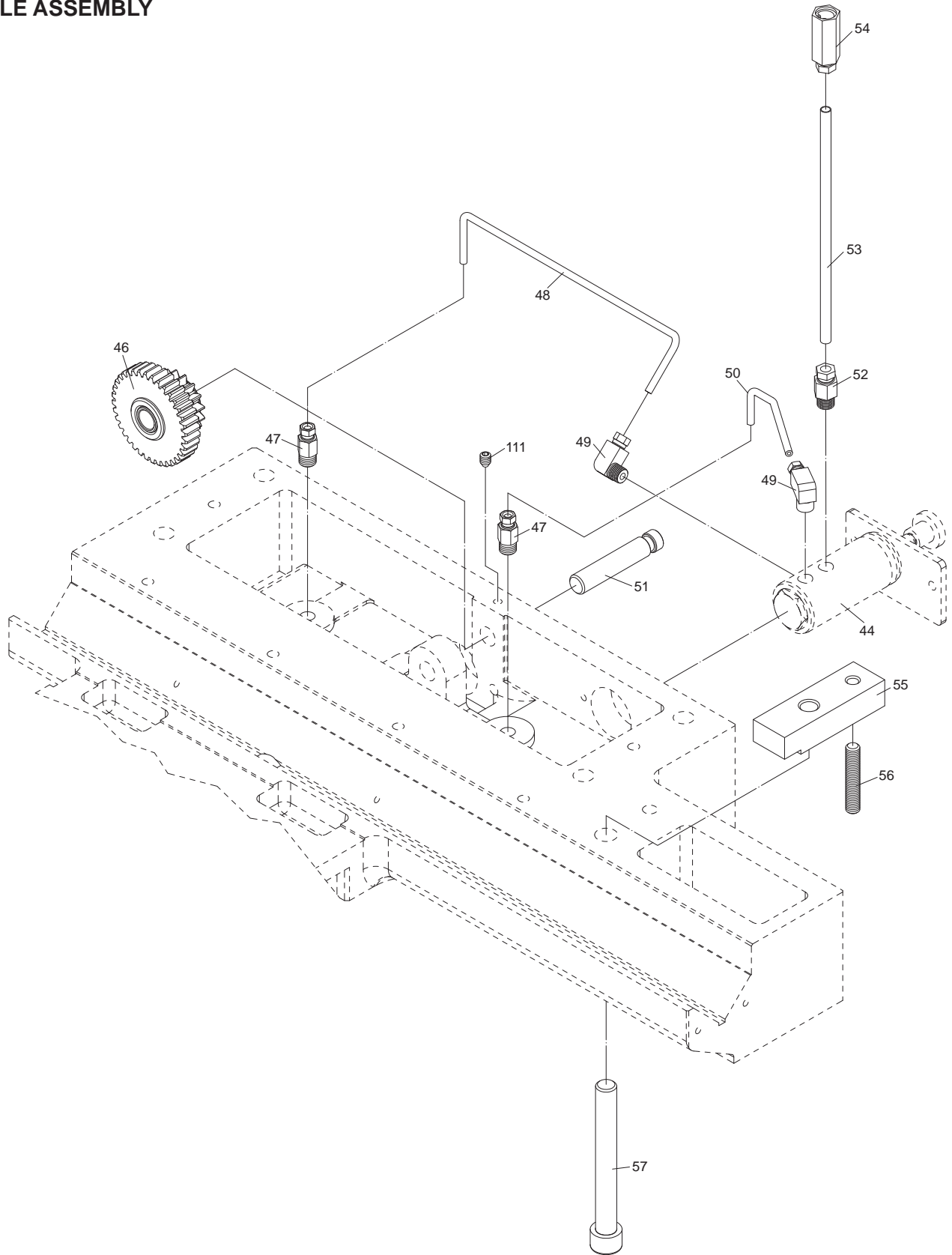
#### 4 WAY TOOL POST PARTS LIST

Index No.	Part No.	Description	Size	Qty.
1	EGH1880-E01	Handle		1
2	EGH1880-E02	Turret nut		1
3	EGH1880-E03	Collar		1
4	EGH1880-E04	Bolt		12
5	EGH1880-E05	Turret body		1
6	EGH1880-E06	Turret shaft		1
7	EGH1880-E07	Pin		1
8	EGH1880-E08	Spring		1
9	EGH1880-E09	Set screw	SET 8x25	2
10	EGH1880-E10	Nut		1
12	EGH1880-E12	Solid topslide		1
13	EGH1880-E13	Set screw	SET 8x12	1
14	EGH1880-E14	Steel ball	1/4"	5
15	EGH1880-E15	Oil ball	1/4"	1
16	EGH1880-E16	Screw		2
17	EGH1880-E17	Gib		1
18	EGH1880-E18	Swivel		1
	EGH2180-E18	Swivel		1
19	EGH1880-E19	Set screw	SET 6x25	2
20	EGH1880-E20	Nut & Screw	Assembly For Replacement	1
21	EGH1880-E21	Thrust bearing	51102	2
22	EGH1880-E22	Keep assy		1
23	EGH1880-E23	Hex. socket head bolt	CAP 6x20	2
24	EGH1880-E24	Dial		1
25	EGH1880-E25	Bush		1
26	EGH1880-E26	Handle		1
27	EGH1880-E27	Hex. socket head bolt	CAP 6x16	1
28	EGH1880-E28	Curve pilot		1
29	EGH1880-E29	Set screw	SET 5x10	1
30	EGH1880-E30	Set screw	SET 5x6	1
31	EGH1880-E31	T wrench		1

**SADDLE ASSEMBLY**



# SADDLE ASSEMBLY



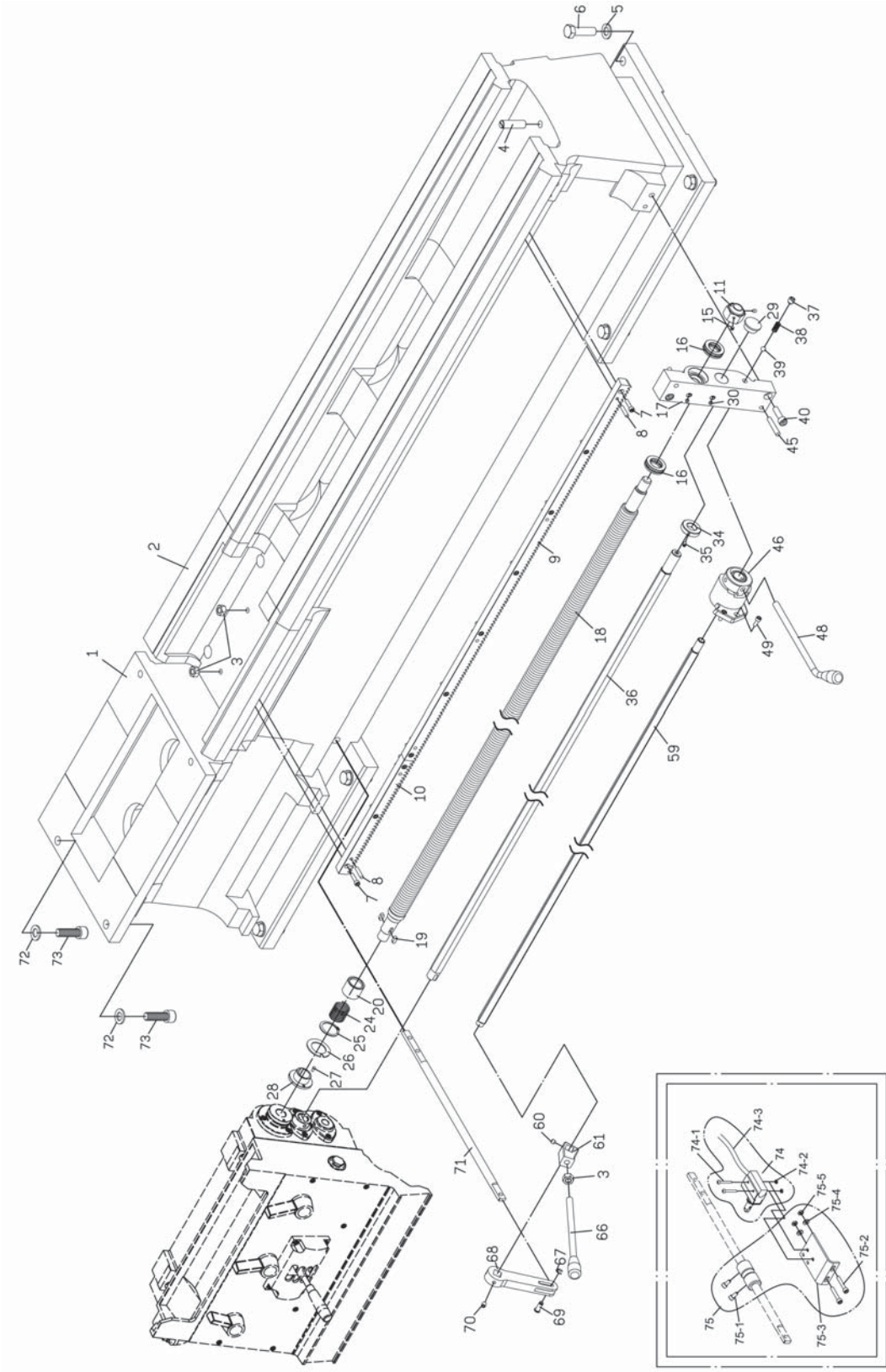
### SADDLES ASSEMBLY PARTS LIST

Index No.	Part No.	Description	Size	Qty.
1	EGH1880-F01	Adjust Screw		6
2	EGH1880-F02	Cross Slide		1
3	EGH1880-F03	Pivot		1
4	EGH1880-F04	T Bolt	T	4
5	EGH1880-F05	Gib-X		1
6	EGH1880-F06	Wiper-X		1
7	EGH1880-F07	Plate -X		1
8	EGH1880-F08	Thrust Bearing	NTB/AS2 1730	2
9	EGH1880-F09	Wedge	7x7x30	1
10	EGH1880-F10	Nut & Screw Assembly		1
11	EGH1880-F11	Spring Pin	Ø5x40	2
13	EGH1880-F13	Key	3x3x115	1
14	EGH1880-F14	Spraying Pipe	PT3/8 x 24"	1
15	EGH1880-F15	Valve & Junction Assy.	PT3/8	1
16	EGH1880-F16	Cap Collar		2
17	EGH1880-F17	Washer		1
18	EGH1880-F18	Bracket		1
19	EGH1880-F19	Saddle		1
20	EGH1880-F20	Wiper F		2
21	EGH1880-F21	Plate F		2
22	EGH1880-F22	Oil Cover	NF3/4"	1
23	EGH1880-F23	Taper Pin	#6x90L	2
24	EGH1880-F24	Wiper V		2
25	EGH1880-F25	Plate V		2
26	EGH1880-F26	Pinion	16T	1
27	EGH1880-F27	Key	3x3x20	1
28	EGH1880-F28	Bolt	M16x5L	1
29	EGH1880-F29	Keep Assy.		1
30	EGH1880-F30	Spring		4
31	EGH1880-F31	Steel Ball	1/4"	5
32	EGH1880-F32	Thrust Bearing	NTB/AS2 2035	2
33	EGH1880-F33	Washer		1
34	EGH1880-F34	Washer		1
35	EGH1880-F35	Dial Ring		1
36	EGH1880-F36	Dial		1
37	EGH1880-F37	Hand Wheel		1
38	EGH1880-F38	Fix Screw		1
39	EGH1880-F39	Handle		1
40	EGH1880-F40	Bolt		1



Index No.	Part No.	Description	Size	Qty.
41	EGH1880-F41	Front Anti-Floater		1
42	EGH1880-F42	Gib-Z		2
43	EGH1880-F43	Front Anti-Floater		1
44	EGH1880-F44	Lubricator Assy.		1
45	EGH1880-F45	Plate		1
46	EGH1880-F46	Gear	16T/36T	1
47	EGH1880-F47	Elbow Adapter	1/8xØ4	2
48	EGH1880-F48	Al. Tube	Ø4x258	1
49	EGH1880-F49	Straight Adapter	1/8xØ4	2
50	EGH1880-F50	Al. Tube	Ø4x121	1
51	EGH1880-F51	Short Shaft		1
52	EGH1880-F52	Straight Adapter	1/8xØ6	1
53	EGH1880-F53	Al. Tube	Ø6x175	1
54	EGH1880-F54	Oil Filter	Ø6	1
55	EGH1880-F56	Clamp Plate		1
56	EGH1880-F57	Set Screw	SET 8x40	1
57	EGH1880-F58	Hex. Socket Head Bolt	CAP12x85	1
101	EGH1880-F101	Oil Ball	1/4"	2
102	TS-1523071	Set Screw	SET 6x25	2
103	TS-1504061	Hex. Socket Head Bolt	CAP 8x30	8
104	TS-1550071	Washer	M10	4
105	TS-1541041	Nut	M10	4
106	TS-2285121	Dome Cross Screw	M5x12	13
107	TS-1503061	Hex. Socket Head Bolt	CAP 5x35	2
108	TS-2342161	Nut	M16	1
109	TS-1502061	Hex. Socket Head Bolt	CAP5x25	2
110	TS-1505131	Hex. Socket Head Bolt	CAP10x80	2
111	TS-1523021	Set Screw	SET 6x8	3
112	TS-1504041	Hex. Socket Head Bolt	CAP 8x20	2
113	TS-1534041	Dome Hexagon Screw	M5x10	3
114	TS-1504081	Hex. Socket Head Bolt	CAP8x40	4
115	TS-1513021	Flat Hexagon Screw	M5x12L	2
116	EGH1880-F116	Spring Slice		2
117	TS-1524051	Set Screw	SET 8x20	1
118	EGH1880-F118	Joint Block		1

## BED AND SHAFTS ASSEMBLY



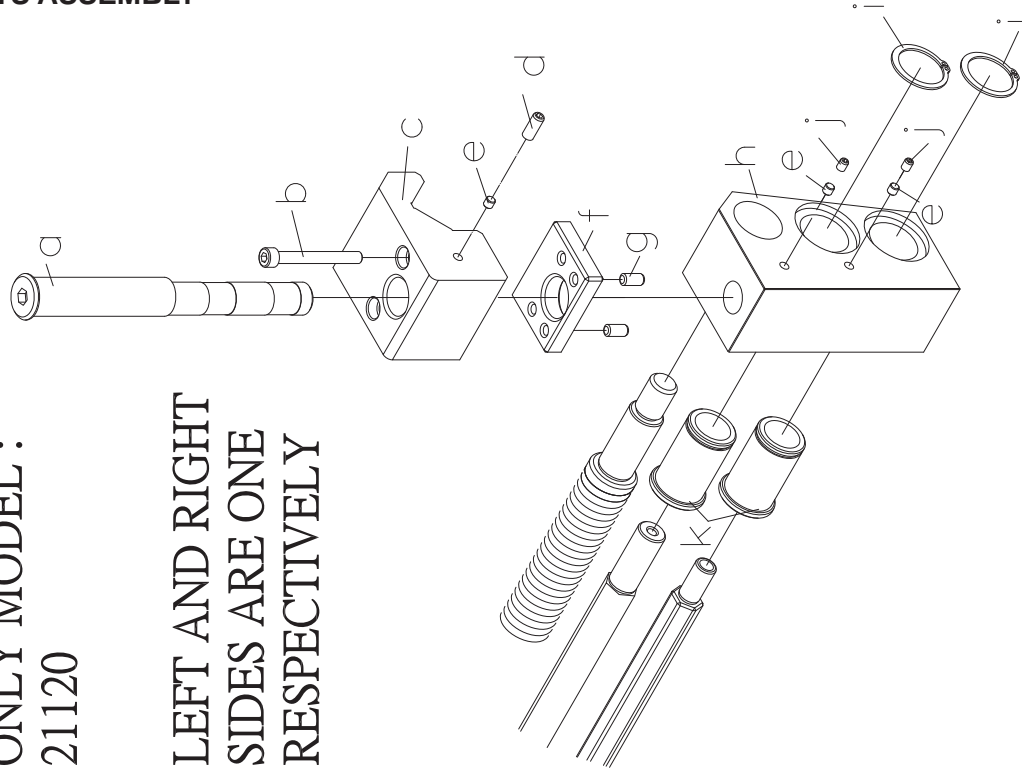




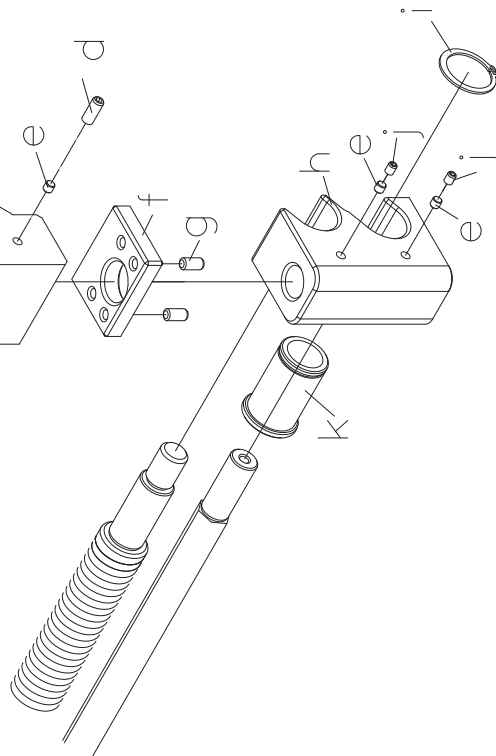
**BED AND SHAFTS ASSEMBLY**

ONLY MODEL :  
21120

LEFT AND RIGHT  
SIDES ARE ONE  
RESPECTIVELY



ONLY MODEL :  
1880





## BED & SHAFTS ASSEMBLY PARTS LIST

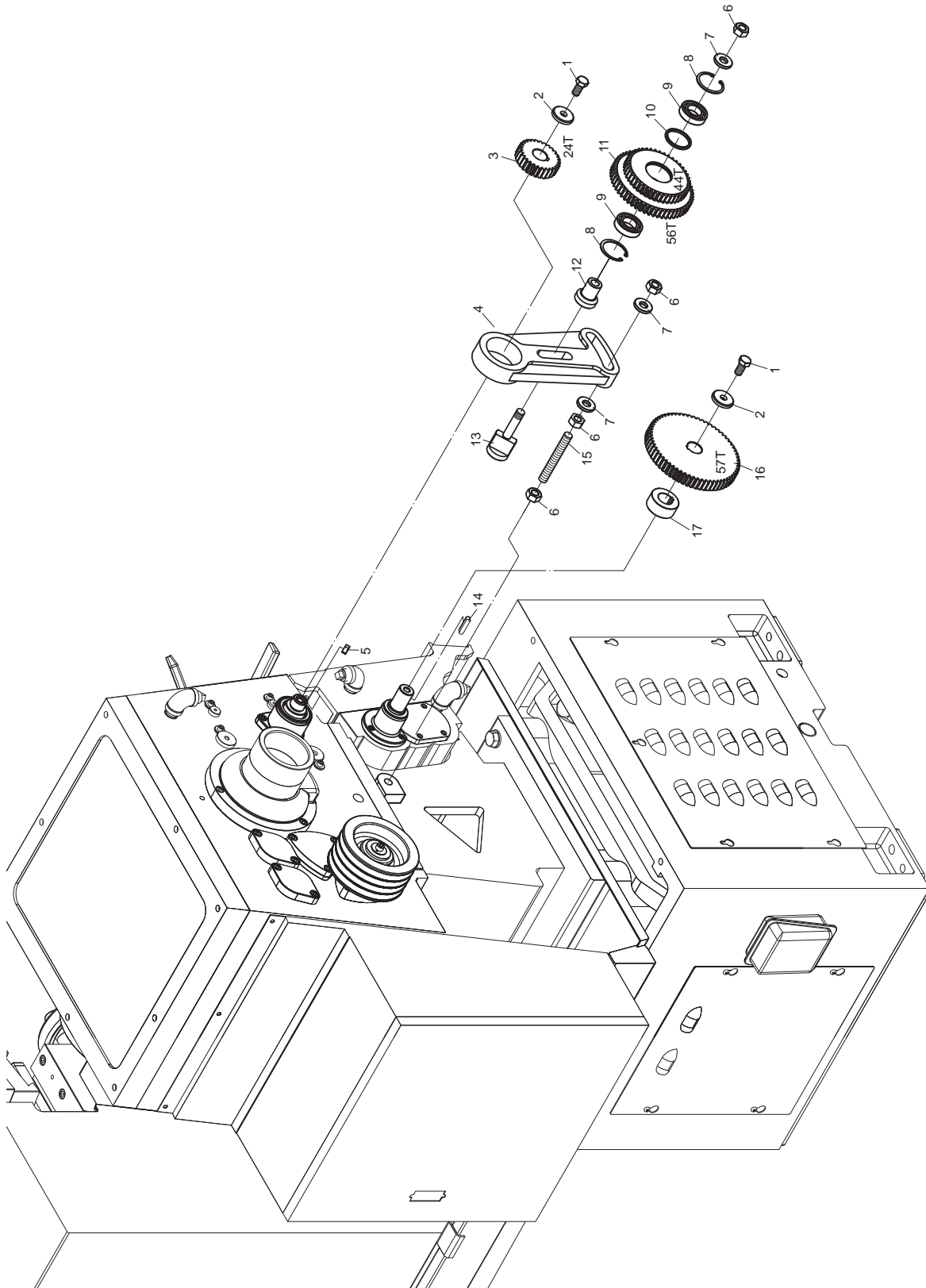
Index No.	Part No.	Description	Size	Qty.
	EGH1880-G01A	Bed Ass'y (No. 1-2)	The same as EGH2180	1
	EGH21120-G01A	Bed Ass'y (No. 1-2)		1
1	EGH1880-G01	Bed	The same as EGH2180	1
	EGH21120-G01	Bed		1
2	EGH1880-G02	Gap Bridge		1
3	TS-1540081	Nut	M12	1
4	EGH1880-G04	Bolt		1
5	TS-155010	Washer	M16	8
6	EGH1880-G06	Hexagon Head Bolt	M16x55	8
7	TS-1503061	Hex. Socket Head Bolt	CAP 6x25	10
8	EGH1880-G08	Pin	Ø6×30	6
9	EGH1880-G09	Rack	The same as EGH2180	2
	EGH21120-G09	Rack		3
10	EGH1880-G10	Rack		1
11	EGH1880-G11	Nut		1
15	TS-1523021	Set Screw	SET 6x8	2
16	EGH1880-G16	Thrust Bearing	51105	2
17	EGH1880-G17	Bracket		1
18	EGH1880-G18	Lead Screw	The same as EGH2180	1
	EGH21120-G18	Lead Screw		1
19	EGH1880-G19	Key	6x6x15	2
20	EGH1880-G20	Spring Cover		1
24	EGH1880-G24	Spring		1
25	EGH1880-G25	Clip	S32	1
26	EGH1880-G26	Washer		1
27	EGH1880-G27	Shear Pin		1
28	EGH1880-G28	Collar		1
29	EGH1880-G29	Plug		1
30	EGH1880-G30	Oil Ball	1/4"	2
34	EGH1880-G31	Collar		1
35	TS-1523031	Set Screw	SET 6x10	1
36	EGH1880-G36	Feed Rod	The same as EGH2180	1
	EGH21120-G36	Feed Rod		1
37	TS-1526011	Set Screw	SET 12x12	2
38	EGH1880-G38	Spring		1
39	EGH1880-G39	Steel Ball	3/8"	1

Index No.	Part No.	Description	Size	Qty.
40	TS-1505051	Hex. Socket Head Bolt	CAP 10x35	2
45	EGH1880-G45	Pin	#7×50	2
	EGH1880-G46A	Lever Ass'y (No. 46-47, 50-58)		1
46	EGH1880-G46	Lever Ass'y		1
47	EGH1880-G47	Pin		2
48	EGH1880-G48	Knob & Handle Assembly		1
49	TS-1503041	Hex. Socket Head Bolt	CAP 6x16	2
50	EGH1880-G50	Bracket		1
55	EGH1880-G55	Sleeve		1
56	EGH1880-G56	Spring		1
57	EGH1880-G57	Spring Cover		1
58	EGH1880-G58	Clip	S32	1
59	EGH1880-G59	Spindle Control Shaft	Same as EGH2180	1
	EGH21120-G59	Spindle Control Shaft		1
60	TS-1524011	Set Screw	SET 8x8	1
61	EGH1880-G61	Bracket		1
66	EGH1880-G66	Handle & Knob Assembly		1
67	EGH1880-G67	Clip	E8	1
68	EGH1880-G68	Connecting Rod		1
69	EGH1880-G69	Pin		1
70	TS-1524031	Set Screw	SET 8x12	1
71	EGH1880-G71	Connecting Rod		1
72	EGH1880-G72	Washer	Ø16.5xØ25x3t	2
73	EGH1880-G73	Hex. Socket Head Bolt	CAP 16×50	2
74	EGH1880-G74A	Limit Switch Ass'y EGH-1880 serial # after 1308188006 EGH-2180 serial # after 1308218004 EGH-21120 serial # after 1308212002	TZ7311	1
74-1		Dome Cross Screw	M4x30	2
74-2		Nut	M4	2
74-3		Electric Wire	18AWGx2c 1800m	1
75	EGH1880-G75A	Switch Support Block Ass'y EGH-1880 serial # after 1308188006 EGH-2180 serial # after 1308218004 EGH-21120 serial # after 1308212002		1
75-1		Hex. Socket Head Bolt	CAP 6x12	2
75-2		Hex. Socket Head Bolt	M6x35	2
75-3		Bracket		1
75-4		Washer	M6	2
75-5		Nut	M6	2
a	EGH1880-G0a	Shaft	Same as EGH2180	1
	EGH21120-G0a	Shaft		2



Index No.	Part No.	Description	Size	Qty.
b	EGH1880-G0b	Hex. Socket Head Bolt	CAP 8x70	4
c	EGH1880-G0c	Block	Same as EGH2180	1
	EGH21120-G0c	Block		2
d	EGH1880-G0d	Set Screw	SET 8x20	2
e	EGH1880-G0e	Pin		6
f	EGH1880-G0f	Block		2
g	EGH1880-G0g	Set Screw	SET 8x16	4
h	EGH1880-G0h	Bracket	Same as EGH2180	1
	EGH21120-G0h	Bracket		1
i	EGH1880-G0i	Clip	Same as EGH2180	1
	EGH21120G0i	Clip	S35	2
j	EGH1880-G0j	Set Screw	SET 8x8	4
k	EGH1880-G0k	Barrel	Same as EGH2180	1
	EGH21120-G0k	Barrel		2

**END GEAR IMPERIAL PHL18**



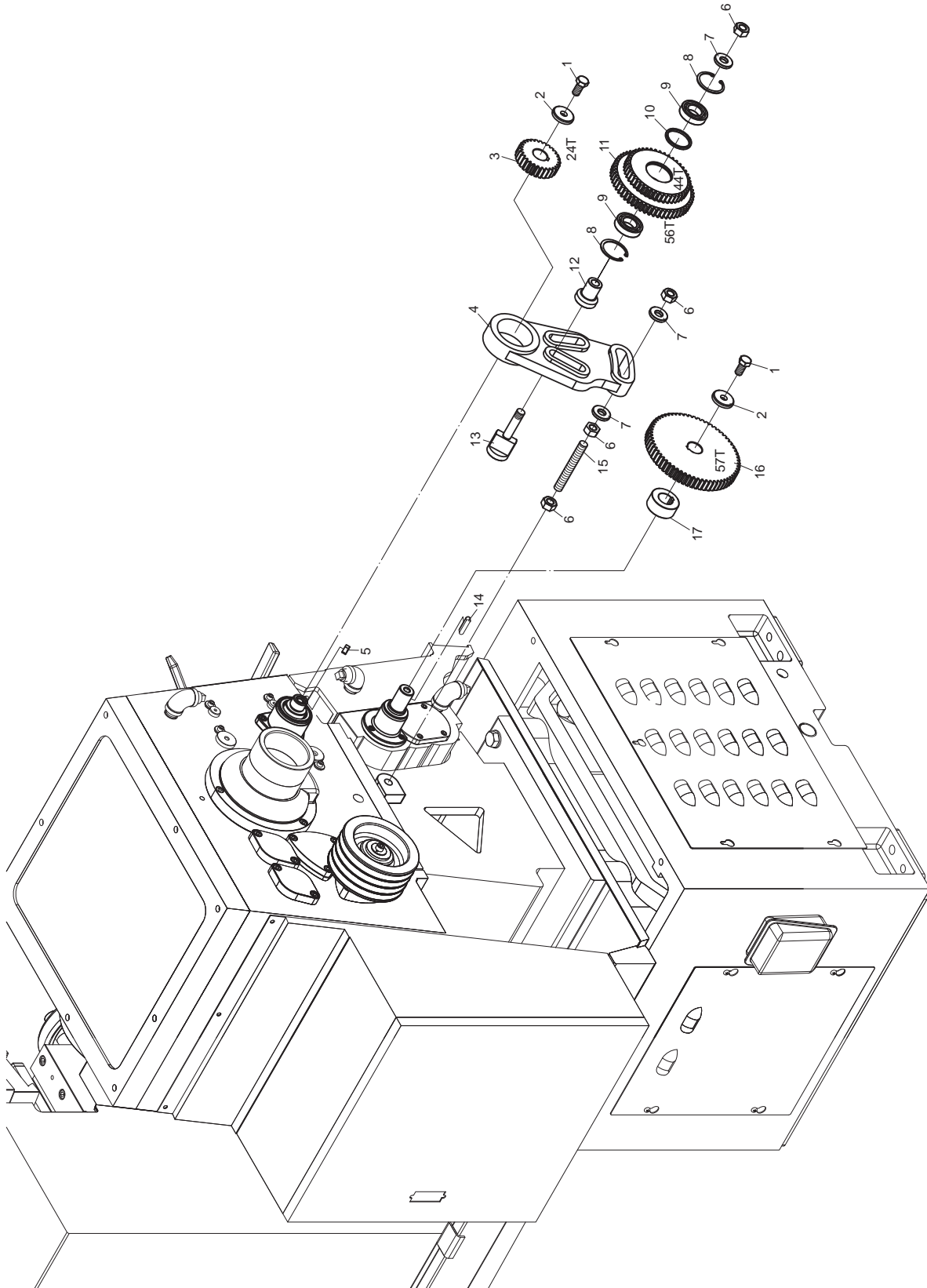


## END GEAR IMPERIAL PHL18 PARTS LIST

Index No.	Part No.	Description	Size	Qty.
1	TS-1506021	Hexagon Head Bolt	M12x25	2
2	EGH1880-H02	Washer		2
3	EGH1880-H03	Gear	24T	1
4	EGH1880-H04	Swing Fence		1
5	EGH1880-H05	Key	7x7x15	1
6	TS-231014-2	Nut	M14	4
7	EGH1880-H07	Washer		3
8	EGH1880-H08	Clip	R47	2
9	BB-6005Z	Ball Bearing	6005Z	2
10	EGH1880-H10	Collar		1
11	EGH1880-H11	Gear	44T/56T	1
12	EGH1880-H12	Shaft		1
13	EGH1880-H13	Shaft		1
14	EGH1880-H14	Key	7x7x35	1
15	EGH1880-H15	Bolt	M14x110	1
16	EGH1880-H16	Gear	57T	1
17	EGH1880-H17	Collar		1



**END GEAR IMPERIAL PHL21**

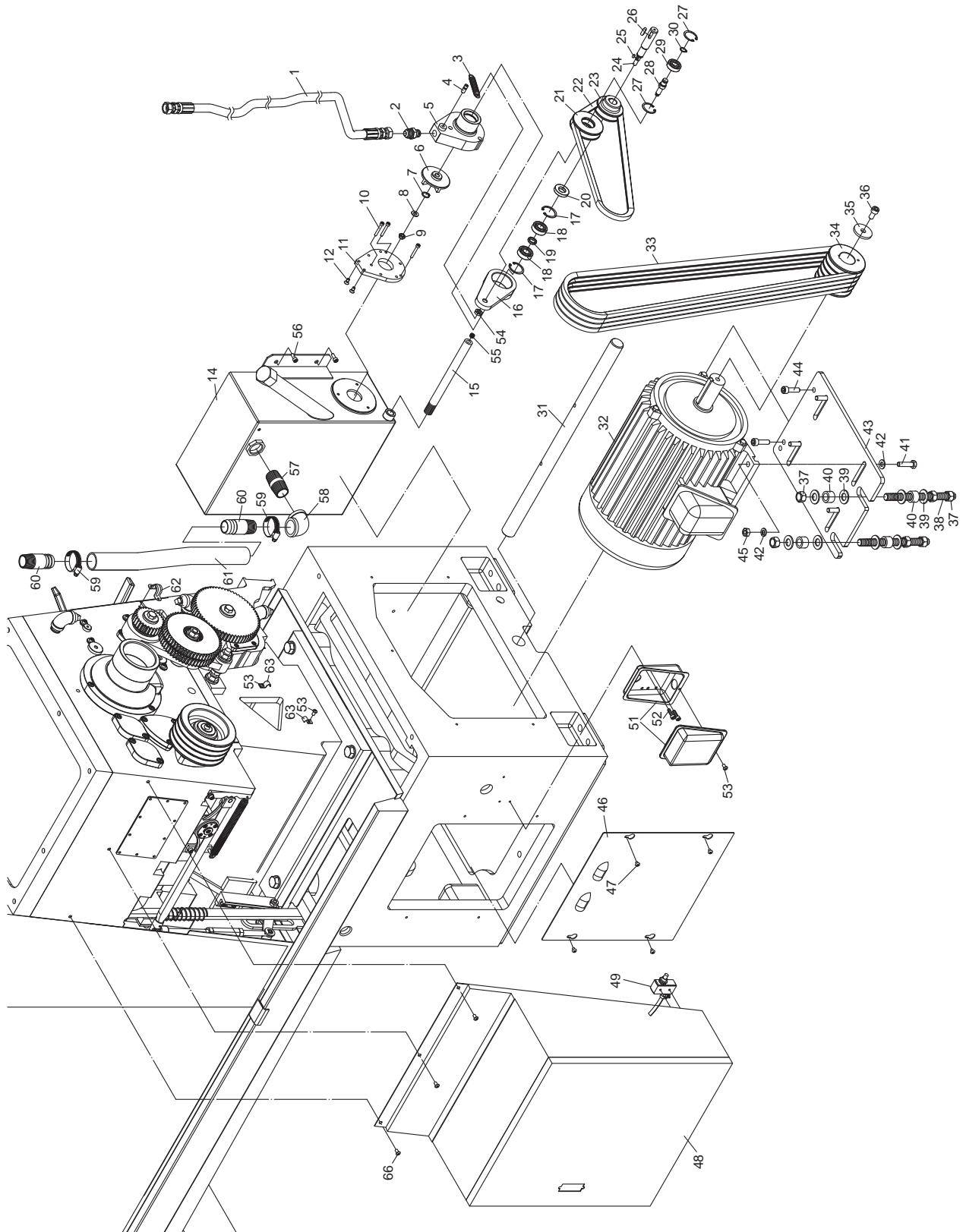




## END GEAR IMPERIAL PHL21 PARTS LIST

Index No.	Part No.	Description	Size	Qty.
1	TS-1506021	Hexagon Head Bolt	M12x25	2
2	EGH2180-H02	Washer		2
3	EGH2180-H03	Gear	24T	1
4	EGH2180-H04	Swing Frame		1
5	EGH2180-H05	Key	7x7x15	1
6	TS-154009	Nut	M14	4
7	EGH2180-H07	Washer		3
8	EGH2180-H08	Clip	R47	2
9	EGH2180-H09	Ball Bearing	6005Z	2
10	EGH2180-H10	Collar		1
11	EGH2180-H11	Gear	44T/56T	1
12	EGH2180-H12	Shaft		1
13	EGH2180-H13	Shaft		1
14	EGH2180-H14	Key	7x7x35	1
15	EGH2180-H15	Bolt	M14x110	1
16	EGH2180-H16	Gear	57T	1
17	EGH2180-H17	Collar		1

**MAIN MOTOR ASSEMBLY**



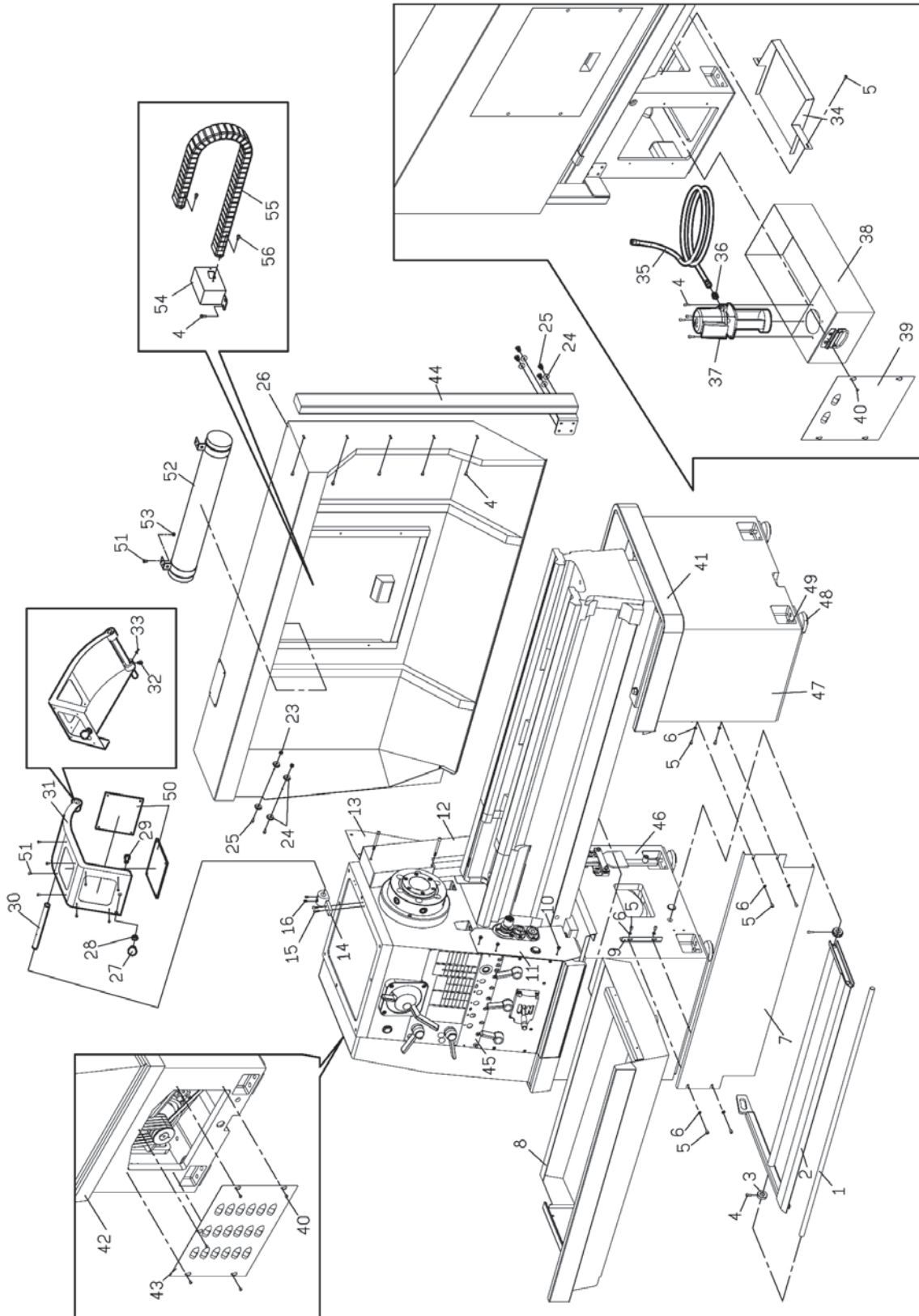


## MAIN MOTOR ASSEMBLY PARTS LIST

Index No.	Part No.	Description	Size	Qty.
1	EGH1880-I01	Flexible Tube	5/8× 1/2	1
	EGH2180-I01	Flexible Tube	Same as EGH21120	1
2	EGH1880-I02	Hexagon	5/8× 1/2	1
3	EGH1880-I03	Spring		1
4	EGH1880-I04	Set Screw		1
5	EGH1880-I05	Pump Pu		1
6	EGH1880-I06	Impeller		1
7	EGH1880-I07	Snap Ring	S15	1
8	TS-1550061	Washer	M8	1
9	TS-1541031	Nut	M8	1
10	TS-1502081	Hex. Socket Head Bolt	CAP 5×35	3
11	EGH1880-I11	Back Plate		1
12	TS-2286121	Flat Cross Screw	6× 12	2
14	EGH1880-I14	Tank		1
15	EGH1880-I15	Plug		1
16	EGH1880-I16	Plate		1
17	EGH1880-I17	Snap Ring	R35	1
18	BB-6202	Ball Bearing	6202	2
19	EGH1880-I19	Alternate Ring		1
20	EGH1880-I20	Oil Seal	18×35×7	1
21	EGH1880-I21	Middle Wheel		1
22	EGH1880-I22	V Belt	50HZ-A39,A38	1
23	EGH1880-I23	Pump Wheel		1
24	EGH1880-I24	Shaft		1
25	EGH1880-I25	Key	4×4×8	1
26	EGH1880-I26	Key	6×6×20	1
27	EGH1880-I27	Snap Ring	R32	2
28	EGH1880-I28	Middle Shaft		1
29	BB-6201	Ball Bearing	6201	1
30	EGH1880-I30	Snap Ring	S12	1
31	EGH1880-I31	Shaft	32×625L	1
32	EGH1880-I32	Induction Motor (EGH2180 Same As)	18-60HZ-10HP	1
	EGH21120-I32	Induction Motor	21-60HZ-12.5HP	1
33	EGH1880-I33	V Belt (EGH2180 Same As)	18-60HZ-A76	1
	EGH2180-I33	V Belt	21-60HZ-A76	1
34	EGH1880-I34	Motor Wheel (EGH2180 Same As)	18-60Hz-10HP	1

Index No.	Part No.	Description	Size	Qty.
	EGH21120-I34	Motor Wheel	21-60Hz-12.5HP	1
35	TS-2360121	Washer	Ø12×Ø45×5	1
36	TS-1505031	Hex. Socket Head Bolt	CAP 10×25	1
37	TS-154010	Nut	M16	6
38	EGH1880-I38	Screw		2
39	EGH1880-I39	Washer	Ø16.5×Ø40	8
40	EGH1880-I40	Rubber Ring		4
41	TS-1491061	Hex. Head Bolt	M10×40	4
42	TS-1550071	Washer	M10	8
43	EGH1880-I43	Plate		1
44	TS-1505031	Hex. Socket Head Bolt	CAP 10×25	2
45	TS-2311101	Nut	M10	4
46	EGH1880-I46	Plate		1
47	TS-1534042	Dome Cross Screw	6×12	4
48	EGH1880-I48	Electrical Box		1
49	EGH1880-I49	TM1307		1
51	EGH1880-I51	Terminal Box		1
52	TS-1503061	Hex. Socket Head Bolt	CAP 6×25	2
53	EGH1880-I53	Dome Cross Screw	M5×8	3
54	TS-1540071	Nut	M10	1
55	EGH1880-I55	Hexagon Socket Head Plug	1/4"	1
56	TS-1504031	Hex. Socket Head Bolt	CAP 8×16	2
57	EGH1880-I57	Connect	1"× 60	2
58	EGH1880-I58	Male Elbow	1"× 90°	1
59	EGH1880-I59	Hose Clamp	3/4"	2
60	EGH1880-I60	Connect	1"× 75	2
61	EGH1880-I61	Net Hose		1
	EGH2180-I61	Net Hose	Same as EGH21120	1
62	EGH1880-I62	Pipe clip		1
63	EGH1880-I63	Pipe clip	Ø10	1
66	EGH1880-I66	Dome cross screw	5×8	3

# CABINET AND PANEL (EGH – 1880/2180)

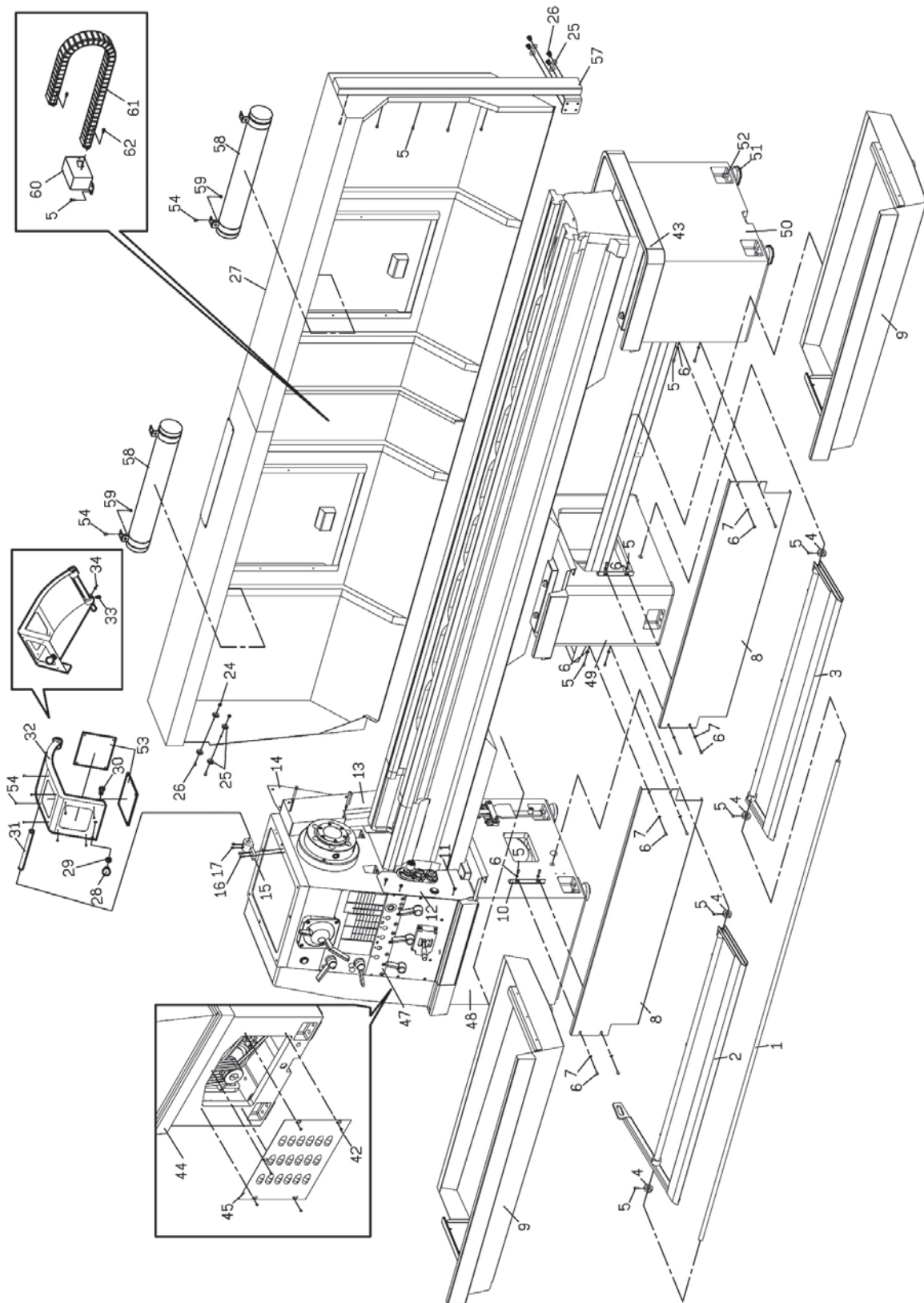


## CABINET & PANEL ASSEMBLY PARTS LIST (EGH-1880 & EGH-2180)

Index No.	Part No.	Description	Size	Qty.
1	EGH1880-J01	Shaft		1
2	EGH1880-J02	Saddle		1
3	EGH1880-J03	Collar		2
4	TS-1503041	Hex. Socket Head Bolt	CAP 6x16	11
5	TS-1503021	Hex. Socket Head Bolt	CAP 6x10	10
6	TS-1550041	Washer	M6	8
7	EGH1880-J07	Plate		1
8	EGH1880-J08	Sliding Tray		1
9	EGH1880-J09	Bracket		2
10	EGH1880-J10	Dome Cross Screw	M5x8	3
11	EGH1880-J11	Guard		1
	EGH2180-J11	Guard	Same as EGH21120	1
12	EGH1880-J12	Brake Guard		1
	EGH2180-J12	Brake Guard	Same as EGH21120	1
13	EGH1880-J13	Plate		1
14	EGH1880-J14	Small Bracket		1
15	TS-1505021	Hex. Socket Head Bolt	CAP 10x20	2
16	TS-1524031	Set Screw	SET 8x12	2
23	TS-2311081	Nut	M8xP1.25	2
24	TS-1550061	Washer	M8	8
25	TS-1504041	Hex. Socket Head Bolt	CAP 8x20	6
26	EGH1880-J26	Splash Guard		1
27	EGH1880-J27	Knob		1
28	TS-0561051	Nut	1/2"	1
29	TS-0070011	Hex. Head Bolt	1/2x1"	1
30	EGH1880-J30	Pivot		1
31	EGH1880-J31	Chuck Safety Guard		1
32	TS-1503031	Hex. Socket Head Bolt	CAP 6x12	1
33	TS-1522051	Set Screw	SET 5x16	1
34	EGH1880-J34	Chute		1
35	EGH1880-J35	Coolant Conduit	CT801x3/8"x96"	1
36	EGH1880-J36	Nipple	3/8"PTx3/8"PH	1
37	EGH1880-J37	Coolant Pump	MC-8150'	1
38	EGH1880-J38	Coolant Tank		1
39	EGH1880-J39	Cover		1
40	TS-1534032	Dome Cross Screw	M6x10	9
41	EGH1880-J41	Tray		1
42	EGH1880-J42	Cover		1
43	EGH1880-J43	Cover Plate		1
44	EGH1880-J44	Bracket		1
45	EGH1880-J45	Plate		1
46	EGH1880-J46	Tail End Plinth		1
47	EGH1880-J47	Head End Plinth		1
48	EGH1880-J48	Block		8
49	EGH1880-J49	Hexagon Head Bolt	M16x55	8
50	EGH1880-J50	Plate		2
51	TS-2286121	Dome Hex. Screw	M6x12	8
52	EGH1880-J52	Work Lamp		1
53	TS-2311061	Nut	M6	4
54	EGH1880-J54	Upper Socket Enclosure		1
55	EGH1880-J55	Cable Sheath (Alum.)	KR100No8-1650mm	1
56	TS-1503051	Hex Socket Head Bolt	CAP 6x20	4

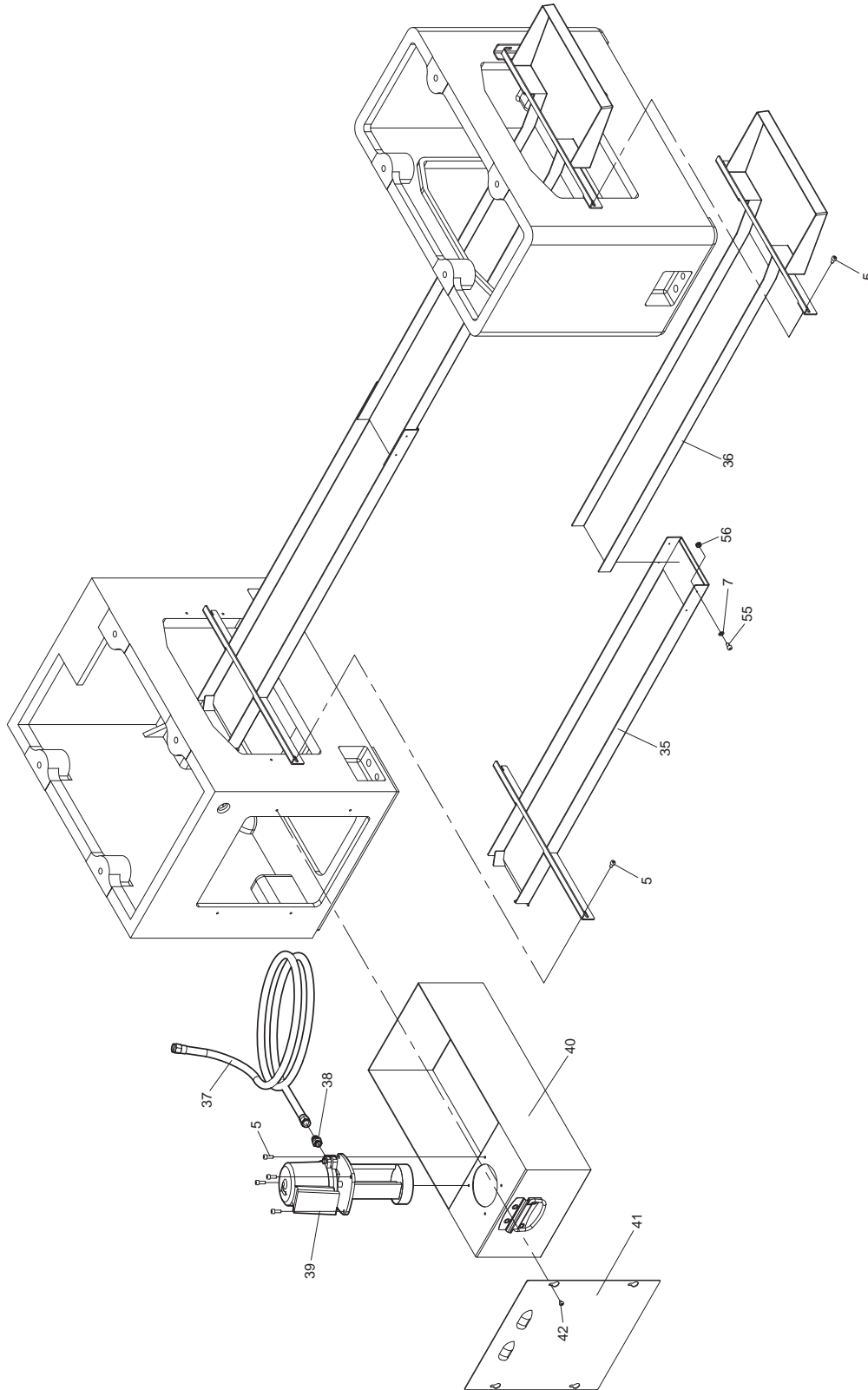


CABINET AND PANEL (EGH – 21120)





**CABINET AND PANEL (EGH – 21120)**



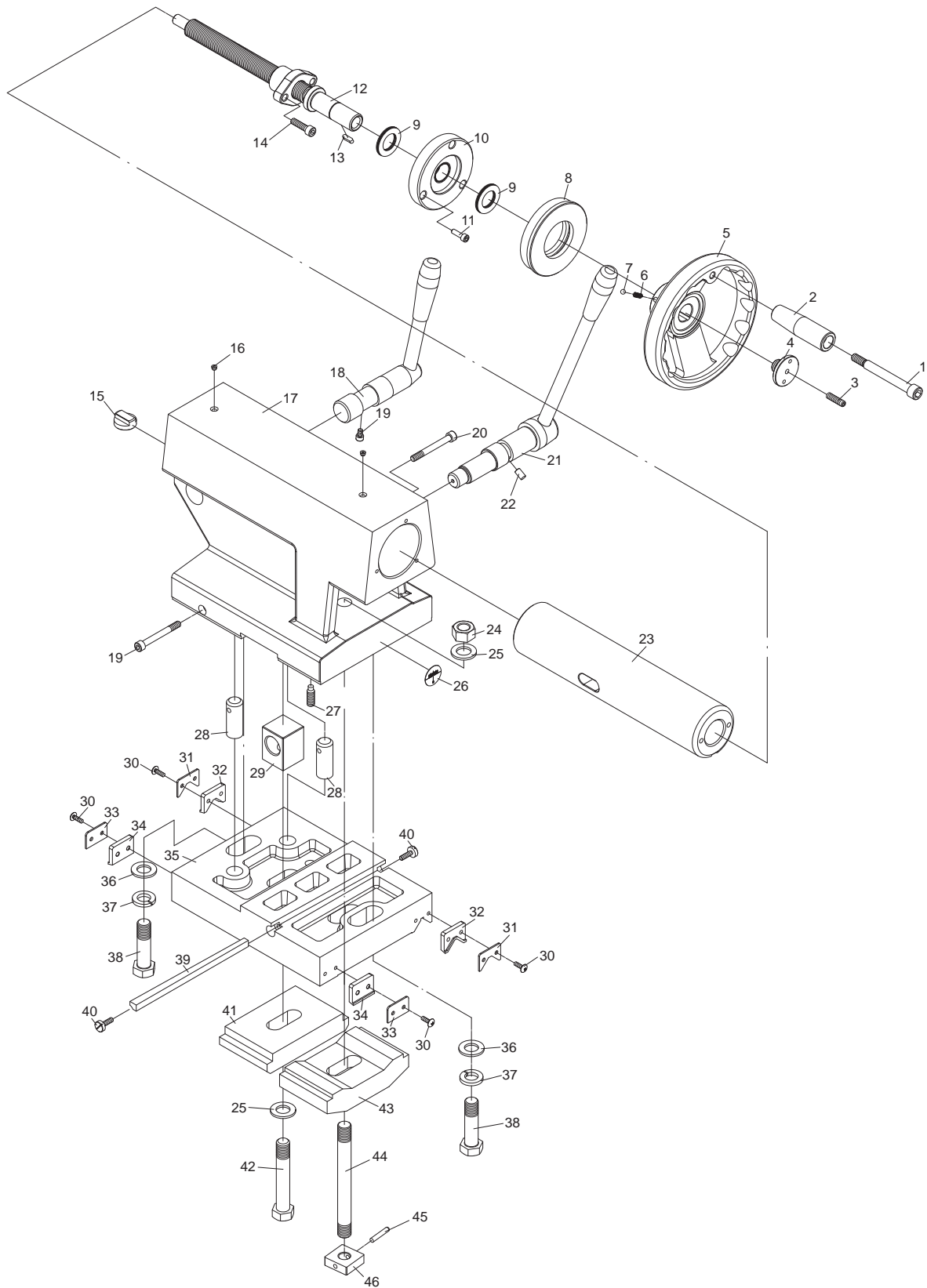


## CABINET & PANEL ASSEMBLY PARTS LIST (EGH-21120)

Index No.	Part No.	Description	Size	Qty.
1	EGH21120-U01	Shaft		1
2	EGH21120-U02	Saddle		1
3	EGH21120-U03	Saddle		1
4	EGH21120-U04	Collar		4
5	TS-1534052	Hex. Socket Head Bolt	CAP 6x16	13
6	TS-1534032	Hex. Socket Head Bolt	CAP 6x10	20
7	TS-1550041	Washer	M6	20
8	EGH21120-U08	Plate		2
9	EGH21120-U09	Sliding Tray		2
10	EGH21120-U10	Bracket		4
11	EGH21120-U11	Dome Cross Screw	M5x8	3
12	EGH21120-U12	Plate		1
13	EGH21120-U13	Brake Guard		1
14	EGH21120-U14	Plate		1
15	EGH21120-U15	Small Bracket		1
16	TS-1505021	Hex. Socket Head Bolt	CAP 10x20	2
17	TS-1524031	Set Screw	SET 8x12	2
24	TS-2311081	Nut	M8xP1.25	2
25	TS-1550061	Washer	M8	8
26	TS-1504041	Hex. Socket Head Bolt	CAP 8x20	6
27	EGH21120-U27	Splash Guard		1
28	EGH21120-U28	Knob		1
29	TS-0561051	Nut	1/2"	1
30	TS-0070011	Hex. Head Bolt	1/2x1"	1
31	EGH21120-U31	Pivot		1
32	EGH21120-U32	Chuck Safety Guard		1
33	TS-1503031	Hex. Socket Head Bolt	CAP 6x12	1
34	TS-1522051	Set Screw	SET 5x16	1
35	EGH21120-U35	Chute		1
36	EGH21120-U36	Chute		1
37	EGH21120-U37	Coolant Conduit (Only for EGH21120)	CT801x3/8"x185"	1
38	EGH21120-U38	Nipple	3/8"PTx3/8"PH	1
39	EGH21120-U39	Coolant Pump	MC-8150'	1
40	EGH21120-U40	Coolant Tank		1
41	EGH21120-U41	Cover		1
42	TS-1534032	Dome Cross Screw	M6x10	9
43	EGH21120-U43	Tray		1

Index No.	Part No.	Description	Size	Qty.
44	EGH21120-U44	Cover		1
45	EGH21120-U45	Cover Plate		1
47	EGH21120-U47	Plate		1
48	EGH21120-U48	Tail End Plinth		1
49	EGH21120-U49	Middle End Plinth		1
50	EGH21120-U50	Head End Plinth		1
51	EGH21120-U51	Block		10
52	EGH21120-U52	Hexagon Head Bolt	M16x55	10
53	EGH21120-U53	Plate		2
54	TS-1534042	Dome Hex. Screw	M6x12	8
55	TS-1503041	Hex. Socket Head Bolt	CAP 6x16	4
56	TS-1540041	Nut	M6	4
57	EGH21120-U57	Bracket		1
58	EGH1880-J52	Work Lamp		2
59	TS-2311061	Hex Nut	M6	8
60	EGH21120-U60	Upper Socket Enclosure		1
61	EGH21120-U61	Cable Sheath (Alum.)	KR100No8-2100mm	1
62	TS-1503051	Hex. Socket Head Bolt	CAP 6x20	4

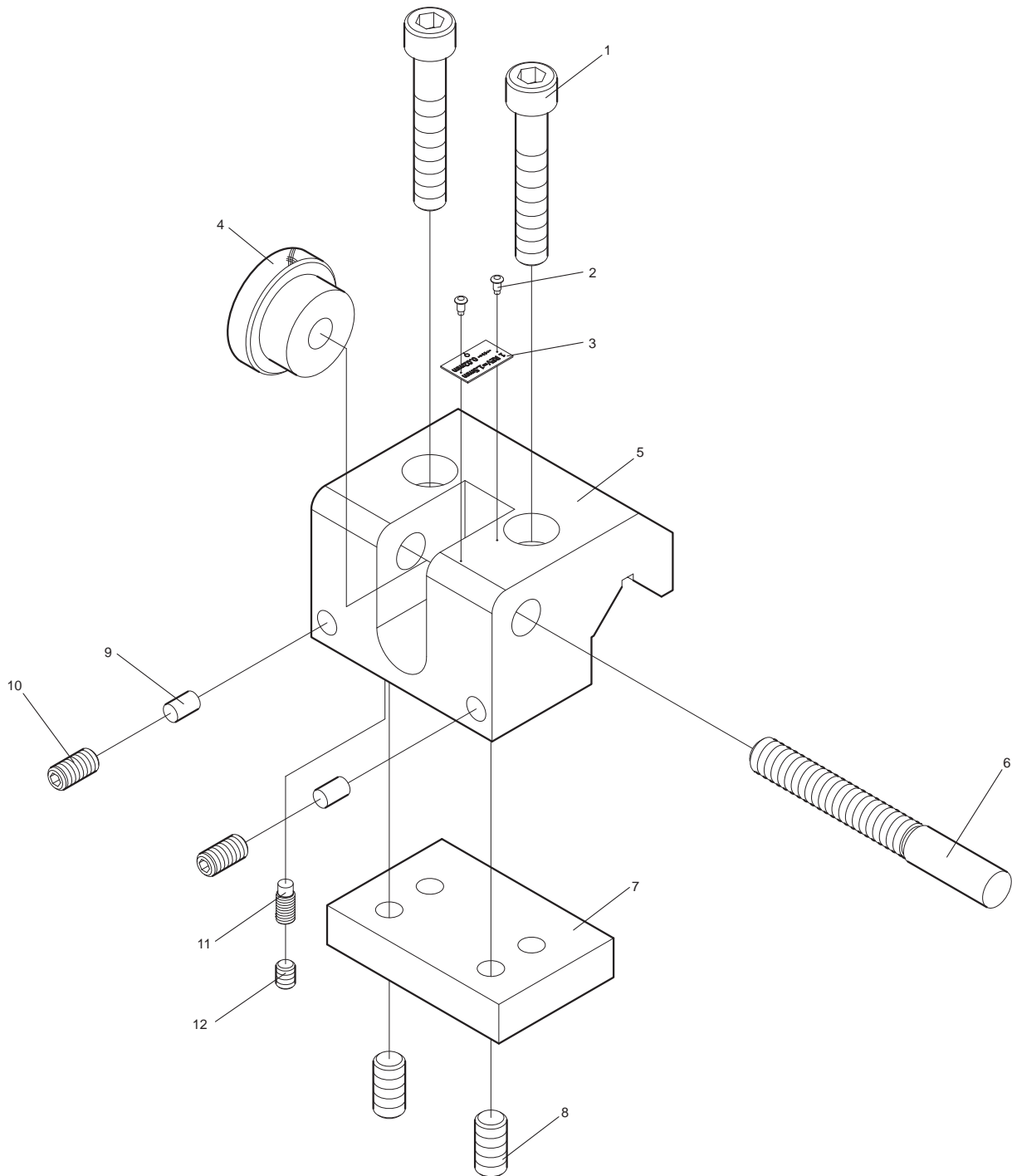
## CONVENTIONAL TAILSTOCK ASSEMBLY



## CONVENTIONAL TAILSTOCK ASSEMBLY PARTS LIST

Index No.	Part No.	Description	Size	Qty.
1	EGH1880-K01	Bolt		1
2	EGH1880-K02	Handle		1
3	EGH1880-K03	Set Screw	SET 8×30	1
4	EGH1880-K04	Fixed Screw		1
5	EGH1880-K05	Handle		1
6	EGH1880-K06	Spring		3
7	EGH1880-K07	Steel Ball	1/4"	3
8	EGH1880-K08	Index Ring		1
9	BB-51105	Bearing	51105	2
10	EGH1880-K10	Flange		1
11	TS-1503051	Hexagon Socket Head Bolt	CAP 6×20	3
12	EGH1880-K12	Lead Screw, Nut Assembly		1
13	EGH1880-K13	Key	5×5×12	1
14	TS-1504061	Hexagon Socket Head Bolt	CAP 8×30	2
15	EGH1880-K15	Guide Key		1
16	EGH1880-K16	Oil Ball	1/4"	2
17	EGH1880-K17	Tail Stock		1
18	EGH1880-K18	Clamp Lever L & Cam Shaft L Assembly		1
19	TS-1503021	Hexagon Socket Head Bolt	CAP 6×10	1
20	TS-1504131	Hexagon Socket Head Bolt	CAP 8×70	2
21	EGH1880-K21	Cam Shaft R & Clamp Lever R Assembly		1
22	EGH1880-K22	Pins		1
23	EGH1880-K23	Quill		1
24	TS-2310181	Nut	M18	1
25	TS-2360181	Washer	M18	2
26	EGH1880-K26	Name Plate		1
27	TS-2279301	Set Screw	10×30	1
28	EGH1880-K28	Pin Nut		2
29	EGH1880-K29	Pivot Block		1
30	TS-1533052	Dome Cross Screw	M5×16	8
31	EGH1880-K31	Plate V		2
32	EGH1880-K32	Wiper V		2
33	EGH1880-K33	Plate F		2
34	EGH1880-K34	Wiper F		2
35	EGH1880-K35	Base		1
	EGH2180-K35	Base	Same as EGH21120	1
36	EGH1880-K36	Washer		2
37	TS-2361181	Spring Washer	M18	2
38	EGH1880-K38	Hexagon Socket Head Bolt		2
39	EGH1880-K39	Gib		1
40	EGH1880-K40	Gib Screw		2
41	EGH1880-K41	Clamp Block		1
42	EGH1880-K42	Hexagon Socket Head Bolt		1
43	EGH1880-K43	Clamp Block		1
44	EGH1880-K44	Stud Bolt		1
45	EGH1880-K45	Pin	Ø6×36	1
46	EGH1880-K46	Nut		1

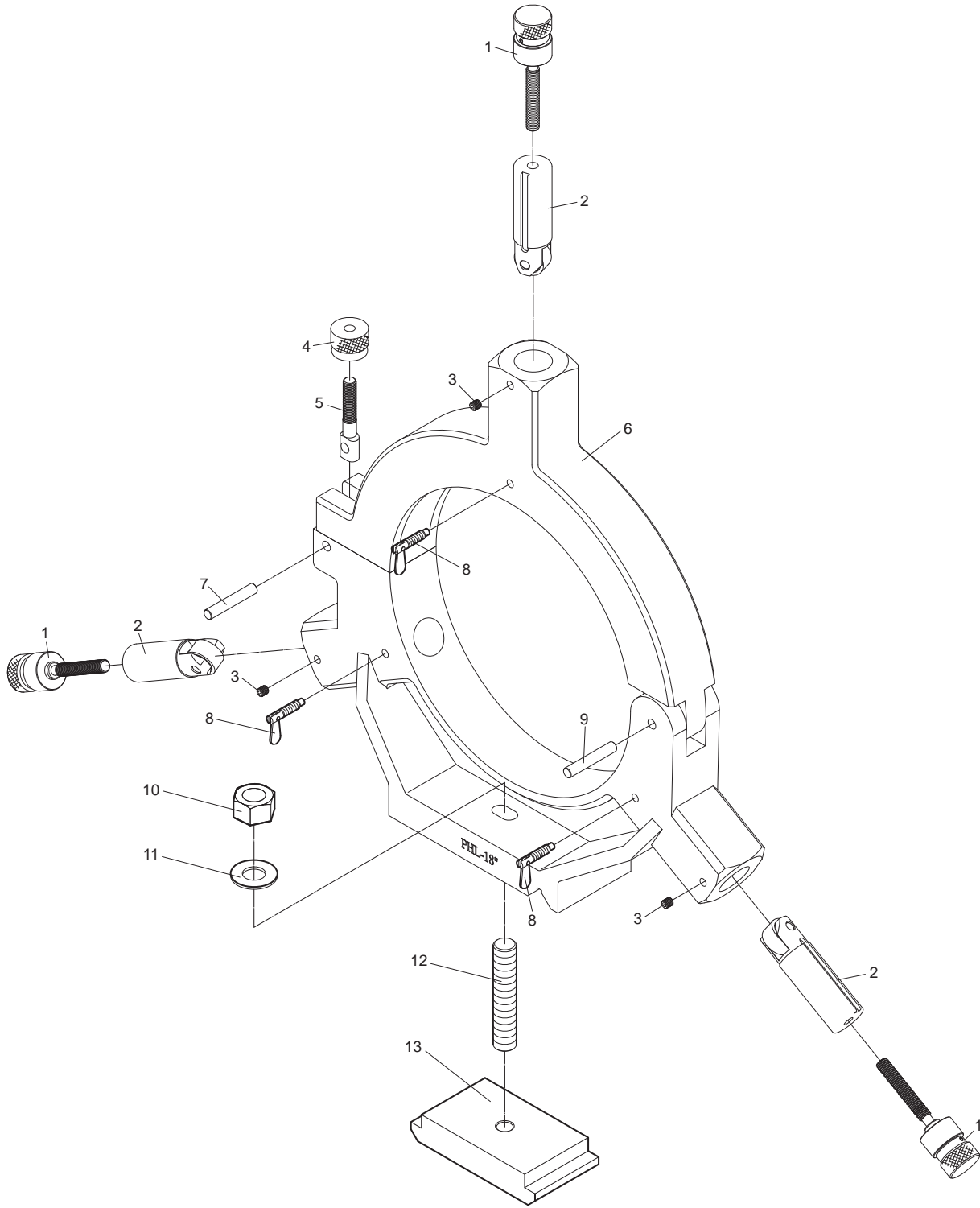
# BED STOP ASSEMBLY



## BED STOP ASSEMBLY PARTS LIST

Index No.	Part No.	Description	Size	Qty.
1	TS-1505101	Hex. Socket Head Bolt	M10x60	2
2	EGH1880-P02	Rivet	Ø2	2
3	EGH1880-P03	Name Plate		1
4	EGH1880-P04	Micro Dial		1
5	EGH1880-P05	Body		1
6	EGH1880-P06	Rod		1
7	EGH1880-P07	Clamp Plate		1
8	TS-1525041	Set Screw	M10x20	2
9	EGH1880-P09	Copper Pin		2
10	TS-1524041	Set Screw	M8x16	2
11	TS-1524031	Set Screw	M8x12	1
12	TS-1524031	Set Screw	M8x12	1

STATIONARY STEADY

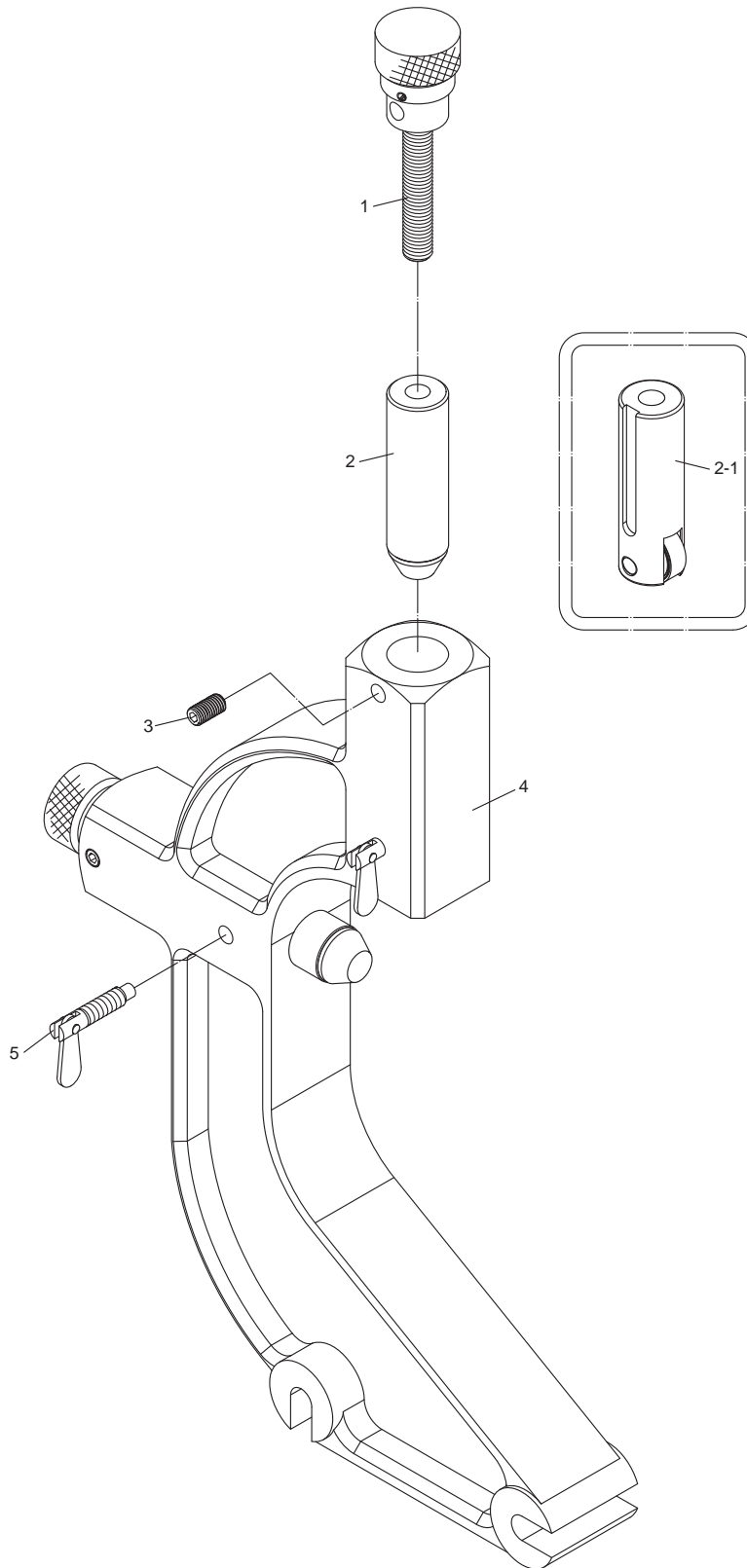




## STEADY REST ASSEMBLY PARTS LIST

Index No.	Part No.	Description	Size	Qty.
1	EGH1880-Q01	Adjusting Knob Assembly		3
2	EGH1880-Q02	Finger,Pin,Ball Bearing (627) Assembly		3
3	TS-1524011	Set Screw	M8x8L	3
4	EGH1880-Q04	Knob Nut		1
5	EGH1880-Q05	Clamp Screw		1
6	EGH1880-Q06	Top & Base Casting Assembly		1
	EGH2180-Q06	Top & Base Casting Assembly	Same as EGH21120	1
7	EGH1880-Q07	Pin		1
8	EGH1880-Q08	Single Wing Bolt		3
9	EGH1880-Q09	Hinge Pin		1
10	EGH1880-Q10	Nut	M18xP2.5	1
11	TS-2361181	Spring Washer	M18	1
12	EGH1880-Q12	Hexagon Head Bolt		1
13	EGH1880-Q13	Clamp Plate		1
	EGH-18-SRA	Steady Rest Assembly		1
	EGH-21-SRA	Steady Rest Assembly	Same as EGH21120	1

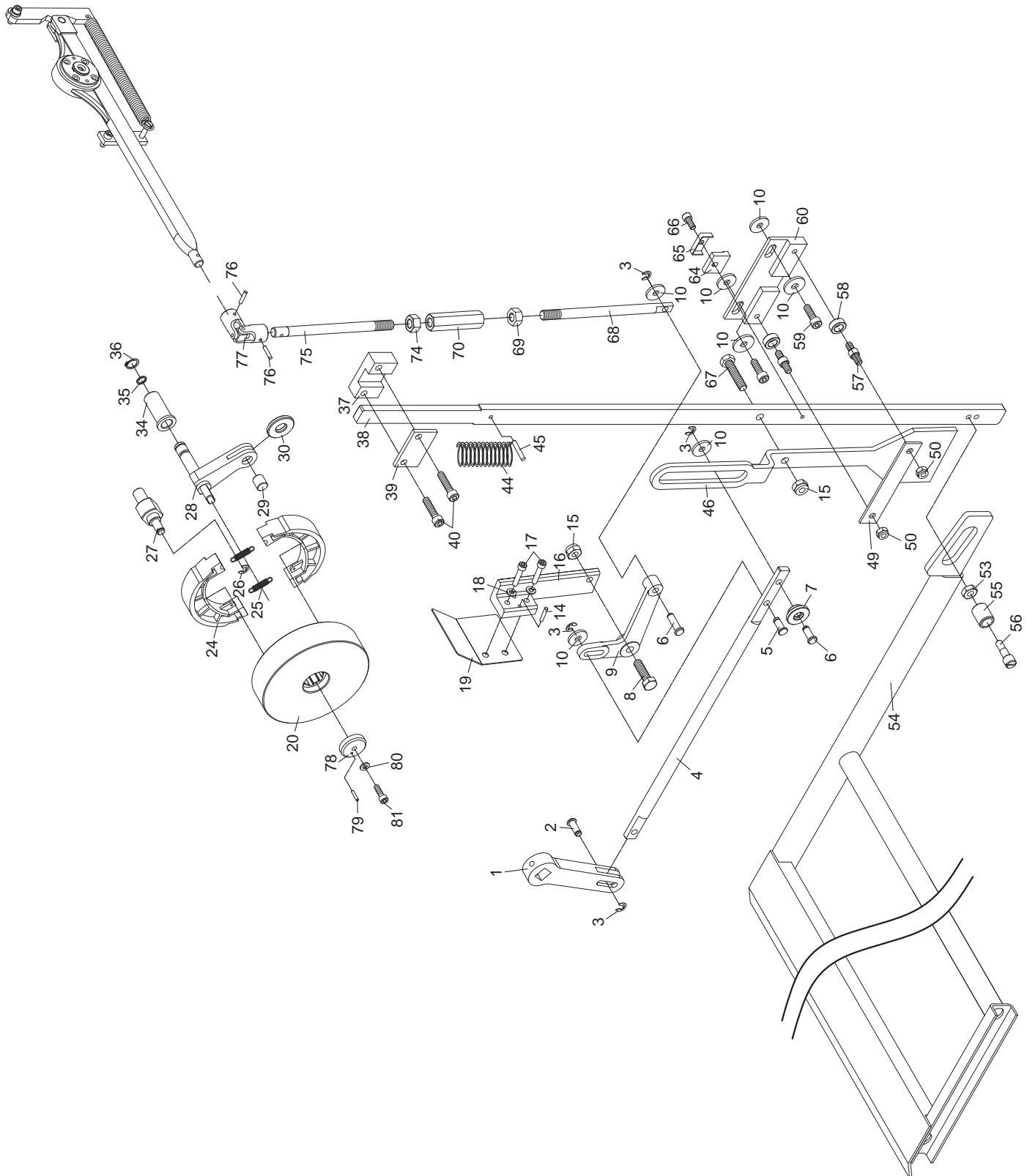
# TRAVELING STEADY ASSEMBLY



## TRAVELING STEADY ASSEMBLY PARTS LIST

Index No.	Part No.	Description	Size	Qty.
1	EGH1880-R01	Adjusting Screw, Spring Pin(Ø4x40L), Collar, Screw	Assembly For Replacement	2
2	EGH1880-R02	Finger & Bracket	Assembly For Replacement	2
2-1	EGH1880-R02BB	Finger, Ball bearing bracket	Assembly For Replacement	2
3	TS-1524041	Set Screw	M8x16	2
4	EGH1880-R04	Casting		1
	EGH2180-R04	Casting	Same as EGH21120	1
5	EGH1880-R05	Single Wing Bolt		3
	EGH18-FCA	Follow Rest Assembly w/ Copper (Key No.2)		1
	EGH21-FCA	Follow Rest Assembly w/ Copper (Key No. 2)		1
	EGH18-FBBA	Follow Rest Assembly w/ Ball Bearing (Key No.2-1)		1
	EGH21-FBBA	Follow Rest Assembly w/ Ball Bearing (Key No. 2-1)		1

# BRAKE ASSEMBLY



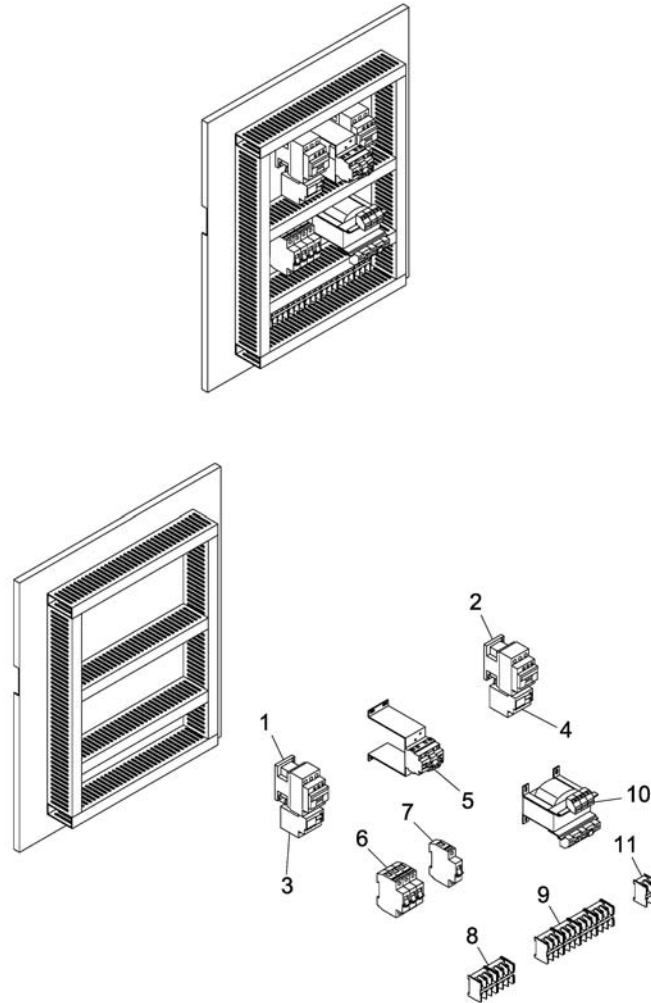
## BRAKE ASSEMBLY PARTS LIST

Index No.	Part No.	Description	Size	Qty.
1	EGH1880-T01	Rod		1
2	EGH1880-T02	Pin		1
3	EGH1880-T03	Snap Ring	E6	4
4	EGH1880-T04	Connecting Rod		1
5	EGH1880-T05	Pin		1
6	EGH1880-T06	Pin		2
7	EGH1880-T07	Gyro Wheel		1
8	TS-149105	Hex. Head Bolt	10×35	1
9	EGH1880-T09	Rocker Arm		1
10	EGH1880-T10	Washer	M8	7
14	EGH1880-T14	Pin	Ø4×24	2
15	TS-1541041	Nut	M10	2
16	EGH1880-T16	Bracket		1
17	TS-1503071	Hex. Socket Head Bolt	CAP6x30	2
18	TS-2361061	Spring Washer	M6	2
19	EGH1880-T19	Plate		1
20	EGH1880-T20	Brake Cylinder		1
24	EGH1880-T24	Brake Lining		2
25	EGH1880-T25	Spring		2
26	EGH1880-T26	Snap RING	E8	1
27	EGH1880-T27	Shaft		1
28	EGH1880-T28	Cam		1
29	EGH1880-T29	Shaft		1
30	EGH1880-T30	Washer		1
34	EGH1880-T34	Bush		1
35	EGH1880-T35	O Ring	P10	1
36	EGH1880-T36	Snap Ring	S14	1
37	EGH1880-T37	Chunk		1
38	EGH1880-T38	Board		1
	EGH2180-T38	Board	Same as EGH21120	1
39	EGH1880-T39	Fixed Plate		1
40	TS-1504071	Hex. Socket Head Bolt	CAP 8x35	2
44	EGH1880-T44	Spring		1
45	EGH1880-T45	Pin	Ø5×30	1
46	EGH1880-T46	Control And Put		1
49	EGH1880-T49	Fixed Plate		1
50	TS-1541031	Nut	M8	2
53	TS-1540061	Nut	M8	2
54	EGH1880-T54	Saddle		1



Index No.	Part No.	Description	Size	Qty.
55	EGH1880-T55	Pin		1
56	EGH1880-T56	Bolt		1
57	EGH1880-T57	Bolt		2
58	EGH1880-T58	Gyro Wheel		2
59	TS-1504051	Hex. Socket Head Bolt	CAP 8x25	2
60	EGH1880-T60	Bracket		1
64	EGH1880-T64	Stop		1
65	EGH1880-T65	Guard Shield		1
66	TS-1503021	Hex. Socket Head Bolt	CAP 6x10	1
67	TS-2210451	Hex. Head Bolt	10x45	1
68	EGH1880-T68	Rod		1
	EGH2180-T68	Rod	Same as EGH21120	1
69	EGH1880-T69	Nut		1
70	EGH1880-T70	Nut		1
74	TS-1540081	Nut	M12	1
75	EGH1880-T75	Bolt		1
	EGH218-T75	Bolt	Same as EGH21120	1
76	EGH1880-T76	Pin	Ø4×20	1
77	EGH1880-T77	Joint Ass'Y		2
78	EGH1880-T78	Washer		1
79	EGH1880-T79	Pin	Ø3×16	1
80	TS-2361061	Spring Washer	M6	1
81	TS-1503051	Hex. Socket Head Bolt	CAP 6x20	1

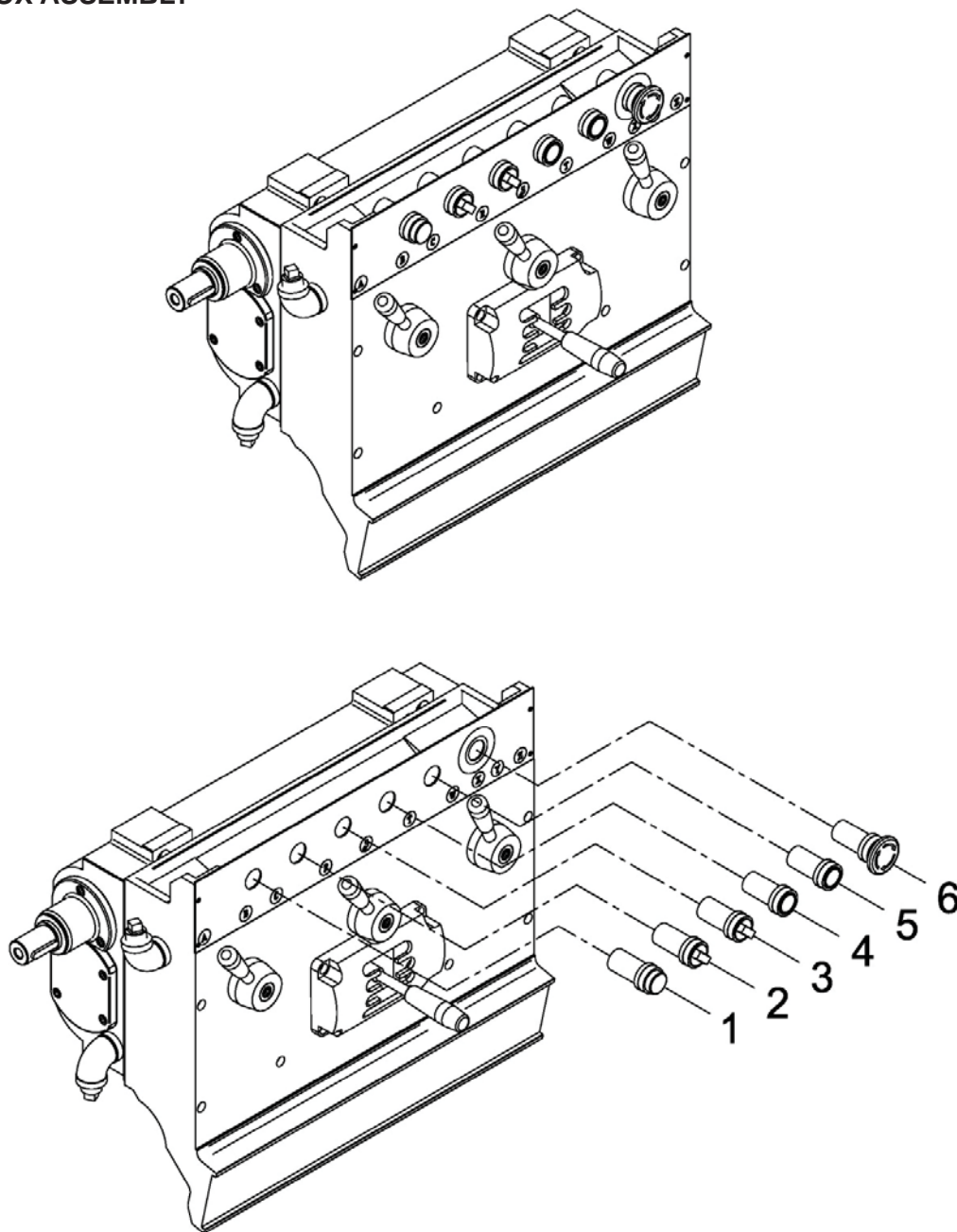
## ELECTRICAL BOX ASSEMBLY



### EGH1880/EGH2180/EGH21120 ELECTRICAL BOX ASSEMBLY PARTS LIST

Index No.	Part No.	Description	Size	Qty.
1	EGH1880-EL01	AC Magnetic Switch	D32 AC24V	1
2	EGH1880-EL02	AC Magnetic Switch	D09 AC24V	1
3	EGH1880-EL03	Over Relay	30A~38A	1
4	EGH1880-EL04	Over Relay	0.25A~0.4A	1
5	EGH1880-EL05	Door-Type Main Cam Switch	32A	1
6	EGH1880-EL06	Fuse Base		1
7	EGH1880-EL07	Fuse Base		1
8	EGH1880-EL08	Terminal Board	3P 50A	2
9	EGH1880-EL09	Terminal Board	3P 20A	4
10	EGH1880-EL10	Transformer	155VA	1
	EGH21120-EL10	Transformer	237VA	1
11	EGH1880-EL11	Terminal Board	2P 20A	1
	EGH1880-EL12	Power Relay + Seat (not shown)		1

## CONTROL BOX ASSEMBLY

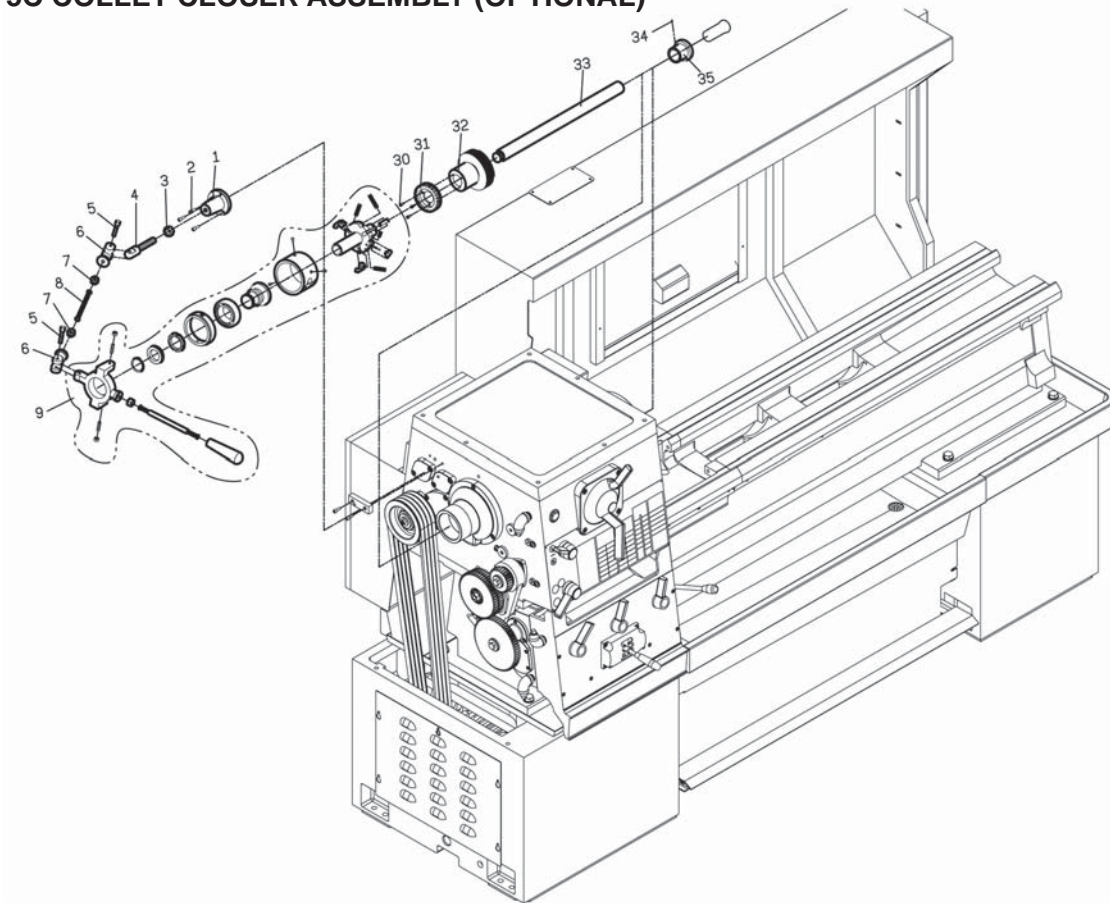


### EGH1880/EGH2180/EGH21120 CONTROL BOX ASSEMBLY PARTS LIST

Index No.	Part No.	Description	Size	Qty.
1	EGH1880-CB01	Power Lamp	W1	1
2	EGH1880-CB02	Light Switch	SW2	1
3	EGH1880-CB03	Pump Change Over Switch	SW1	1
4	EGH1880-CB04	Spindle Motor Stop	SPB1	1
5	EGH1880-CB05	Spindle Motor Run	PB1	1
6	EGH1880-CB06	E-Stop	E-Stop	1



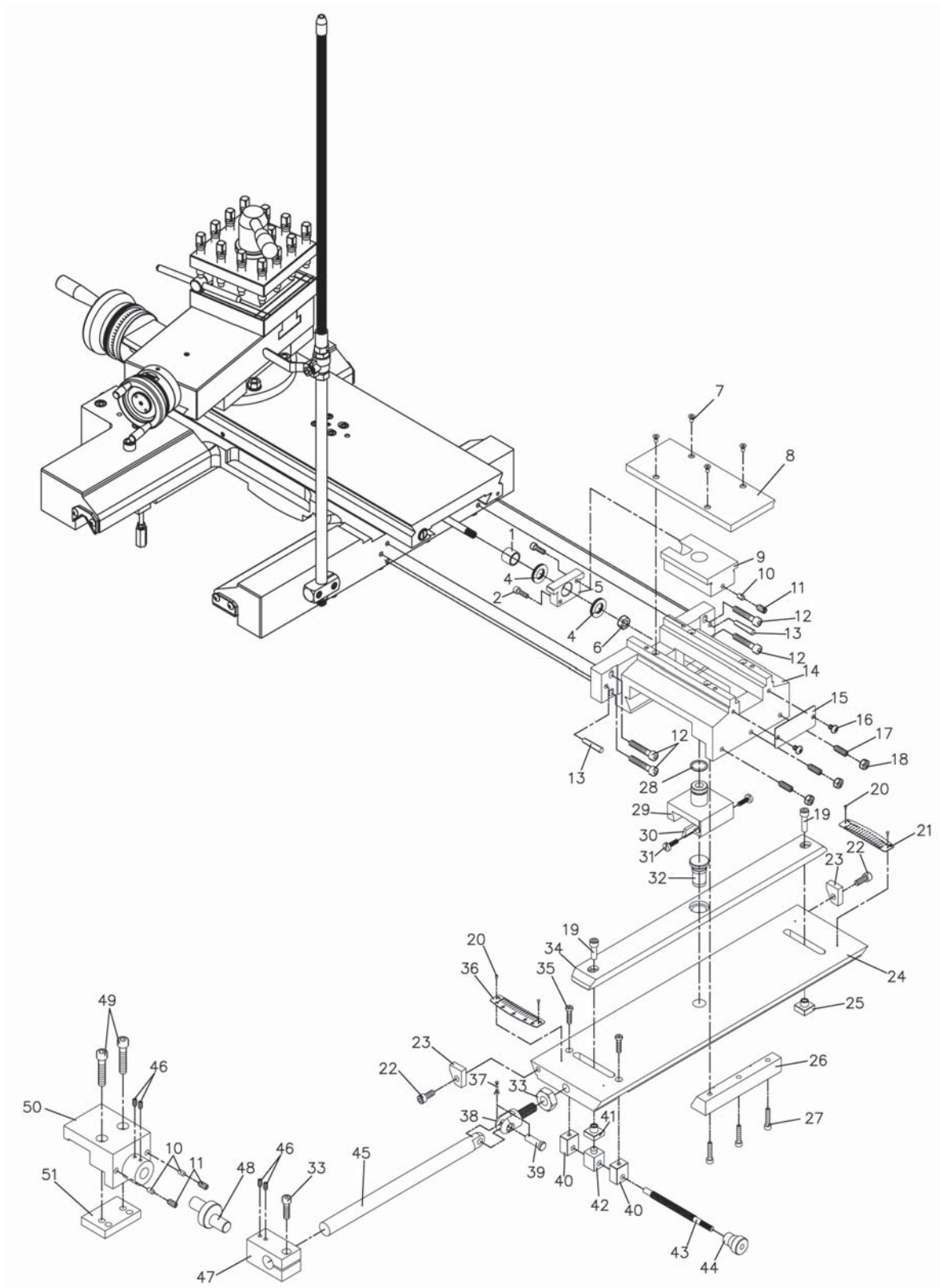
### 892253 5C COLLET CLOSER ASSEMBLY (OPTIONAL)



### 892253 5C COLLET CLOSER ASSEMBLY (OPTIONAL) PARTS LIST

Index No.	Part No.	Description	Size	Qty.
1	EGH1740-O02	Bracket		1
2	TS-1503061	Hex. Socket Head Bolt	M6x25	3
3	TS-154010	Hex Nut	M16	1
4	EGH1740-O04	Bolt		1
5	EGH1740-O05	Bolt		2
6	EGH1740-O06	Connector Casting		2
7	TS-0561051	Nut	1/2"-13	2
8	EGH1740-O08	Screw	W1/2" x 155mm	1
9	EGH-1880-O09	Handle Casting Assembly		1
30	TS-1502031	Hex. Socket Head Bolt	M5x12	3
31	EGH1880-O31	Index Ring		1
32	EGH1880-O32	Hub		1
33	EGH1880-O33	Tube		1
34	EGH1880-O34	Pin		1
35	EGH1880-O35	Bushing		1
	892253	5C Collet Closer Assembly (#1 thru 35)		1

### 892254 TAPER ATTACHMENT ASSEMBLY (OPTIONAL)



## 892254 TAPER ATTACHMENT ASSEMBLY (OPTIONAL) PARTS LIST

Index No.	Part No.	Description	Size	Qty.
1	EGH1880-N01	Collar		1
2	TS-1503051	Hex. Socket Head Bolt	CAP 6x20	2
4	EGH1880-N03	Thrust Bearing	NTB/AS2 1730	2
5	EGH1880-N04	Yoke Plate		1
6	TS-154010	Nut	M16	1
7	TS-2246101	Socket Hd Flat Screw	M6x10	4
8	EGH1880-N07	Cover Plate		1
9	EGH1880-N08	Yoke		1
10	EGH1880-N09	Copper Pin		3
11	TS-1524041	Set Screw	SET8x16	3
12	TS-1504091	Hex. Socket Head Bolt	CAP 8x45	4
13	EGH1880-N12	Taper Pin	#6x1 1/2"	2
14	EGH1880-N13	Main Bracket		1
15	EGH1880-N14	Plate		1
16	TS-1534032	Dome Cross Screw	M6x10	2
17	TS-1524061	Set Screw	SET 8x25	3
18	TS-2311081	Hexagon Nut	M8	3
19	TS-1504061	Hex. Socket Head Bolt	CAP 8x30	2
20	EGH1880-N19	Rivet	Ø2	4
21	EGH1880-N20	Angle Scale		1
22	TS-1504041	Hex. Socket Head Bolt	CAP 8x20	2
23	EGH1880-N22	Stop		2
24	EGH1880-N23	Plate		1
25	EGH1880-N24	Nut		1
26	EGH1880-N25	Gib		1
27	TS-1503071	Hex. Socket Head Bolt	CAP 6x30	3
28	EGH1880-N27	O Ring	P21	1
29	EGH1880-N28	Side Block		1
30	EGH1880-N29	Gib		1
31	EGH1880-N30	Screw		2
32	EGH1880-N31	Slide Pivot Pin		1
33	TS-154009	Nut	M14	1
34	EGH1880-N33	Swivel Slide		1
35	TS-1503061	Hex. Socket Head Bolt	CAP6x25	2
36	EGH1880-N35	Angle Scale		1
37	EGH1880-N36	Cotter Pin	Ø2.5x16	1
38	EGH1880-N37	Bolt		1
39	EGH1880-N38	Clevis Pin		1
40	EGH1880-N39	Block		2



### 892254 TAPER ATTACHMENT ASSEMBLY PARTS LIST (OPTIONAL)

Index No.	Part No.	Description	Size	Qty.
41	EGH1880-N40	Nut		1
42	EGH1880-N41	Nut		1
43	EGH1880-N42	Screw		1
44	EGH1880-N43	Knob		1
45	EGH1880-N44	Clamp Rod		1
46	TS-1523041	Set Screw	SET 6x12	4
47	EGH1880-N46	Bracket		1
48	EGH1880-N47	Eccentric Pin		1
49	TS-1505081	Hex. Socket Head Bolt	CAP 10x50	2
50	EGH1880-N49	Bracket		1
51	EGH1880-N50	Clamp		1
	892254	Taper Attachment Assembly (#1 thru 51)		