

Tanaka Illustrated Parts Manual

Model Number:

ECV-4501

43cc CHAINSAW

P/N 26898

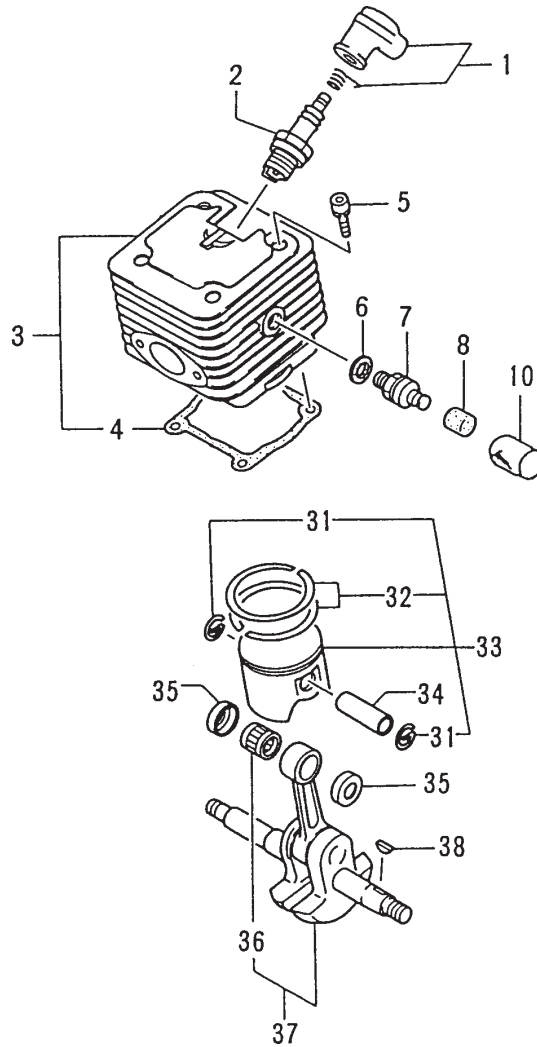
Rev 000

Date 3-26-08

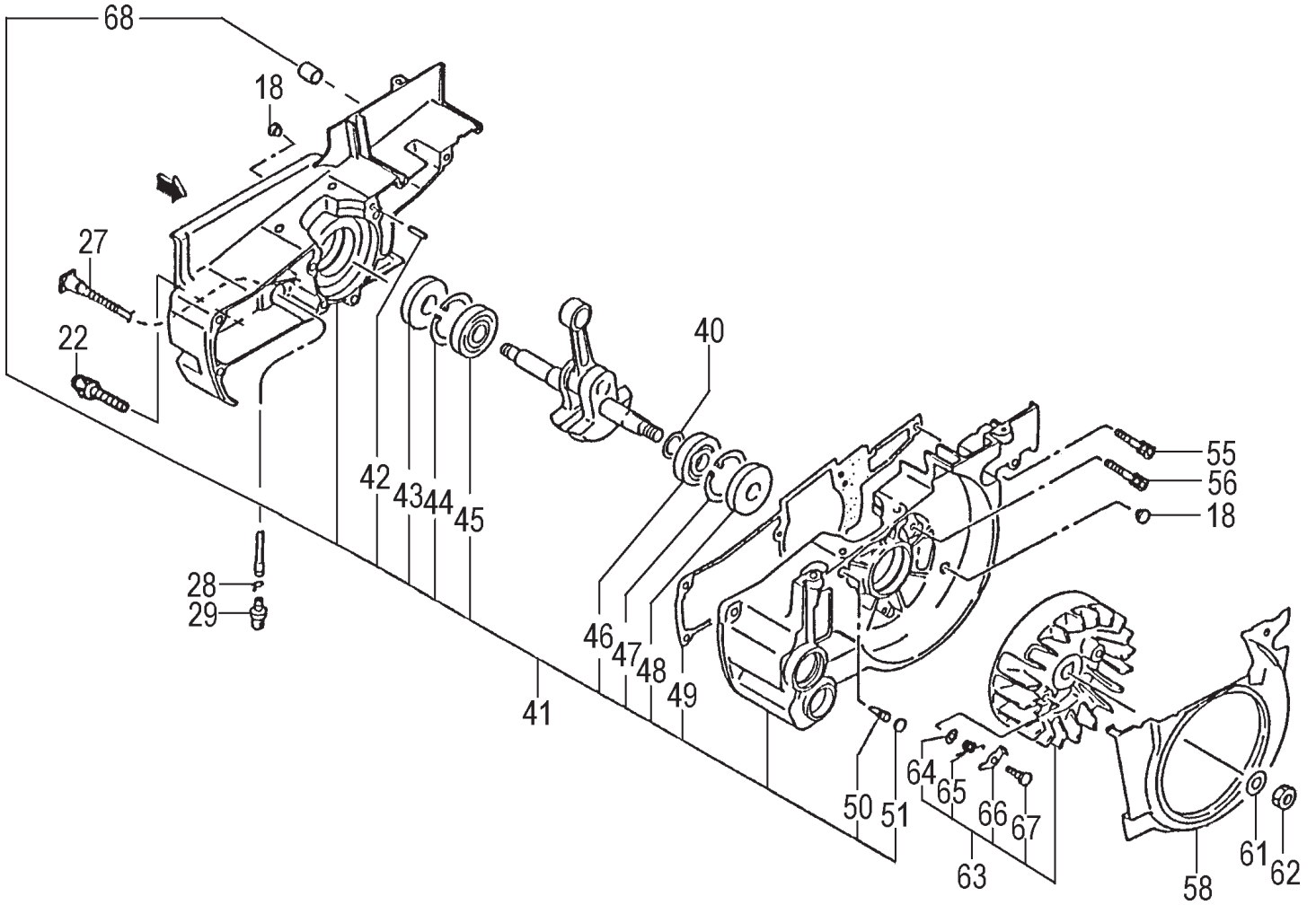


Nikko Tanaka Engineering U.S.A.,Ltd. • 1028 4th Street SW, Bldg B • Auburn, WA 98001 • Phone: (253) 333-1200 • Fax: (253) 333-1212

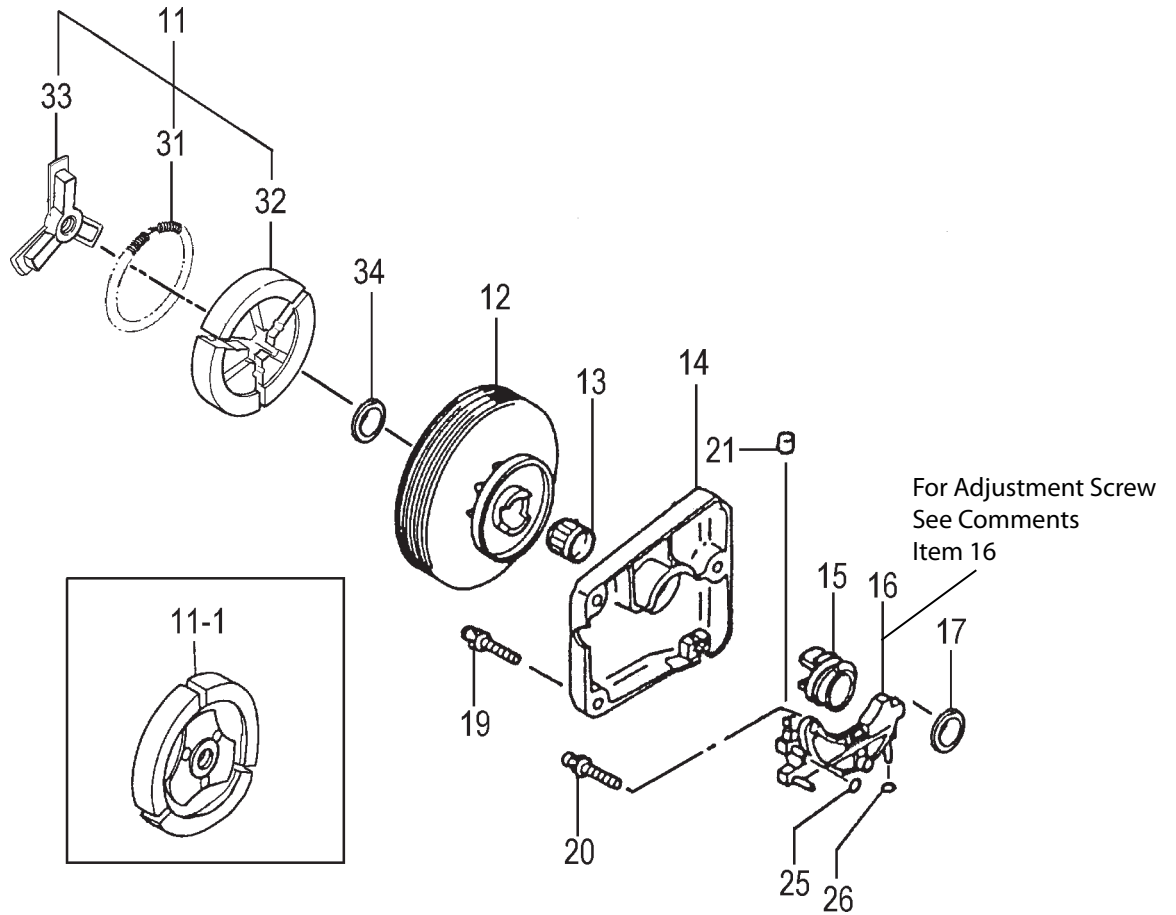
CYLINDER, PISTON, CRANKSHAFT • FIGURE 1



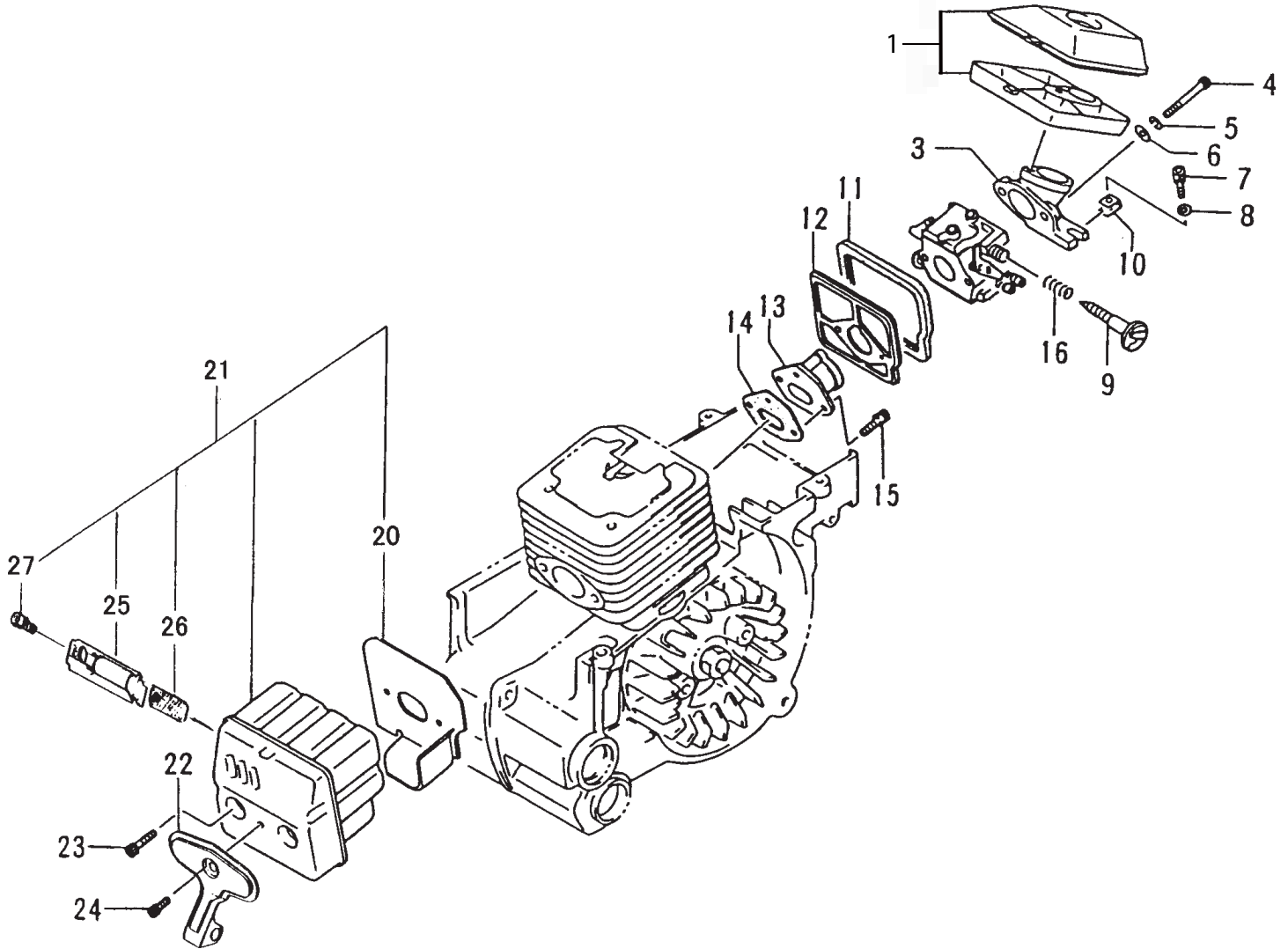
ITEM	PART NUMBER	DESCRIPTION	QTY	COMMENTS
1	15701570900	CAP, SPARK PLUG, ASS'Y	1	
2	0181161021	PLUG, SPARK	1	
3	0010406690	SET, CYLINDER	1	Includes gasket
4	0170406620	GASKET, CYLINDER	1	
5	99461050205	BOLT, HEX, 5X20	4	
6	0280406321	GASKET, DECOMP VALVE	1	
7	0040406380	VALVE, DECOMPRESSION	1	
8	0200406320	COVER, DECOMPRESSION	1	
10	4703252K20	COVER, DUST	1	
31	03901000200	CIRCLIP, PISTON PIN	2	
32	0410406620	RING, PISTON	2	
33	0300406690	SET, PISTON	1	Includes rings and circlips
34	0370100020	PIN, PISTON	1	
35	0360409020	COLLAR, PISTON PIN	1	
36	99962101480	BEARING, NEEDLE	1	
37	0460406780	CRANKSHAFT	1	
38	06810100200	KEY, WOODRUFF, 3X13X4.5	1	



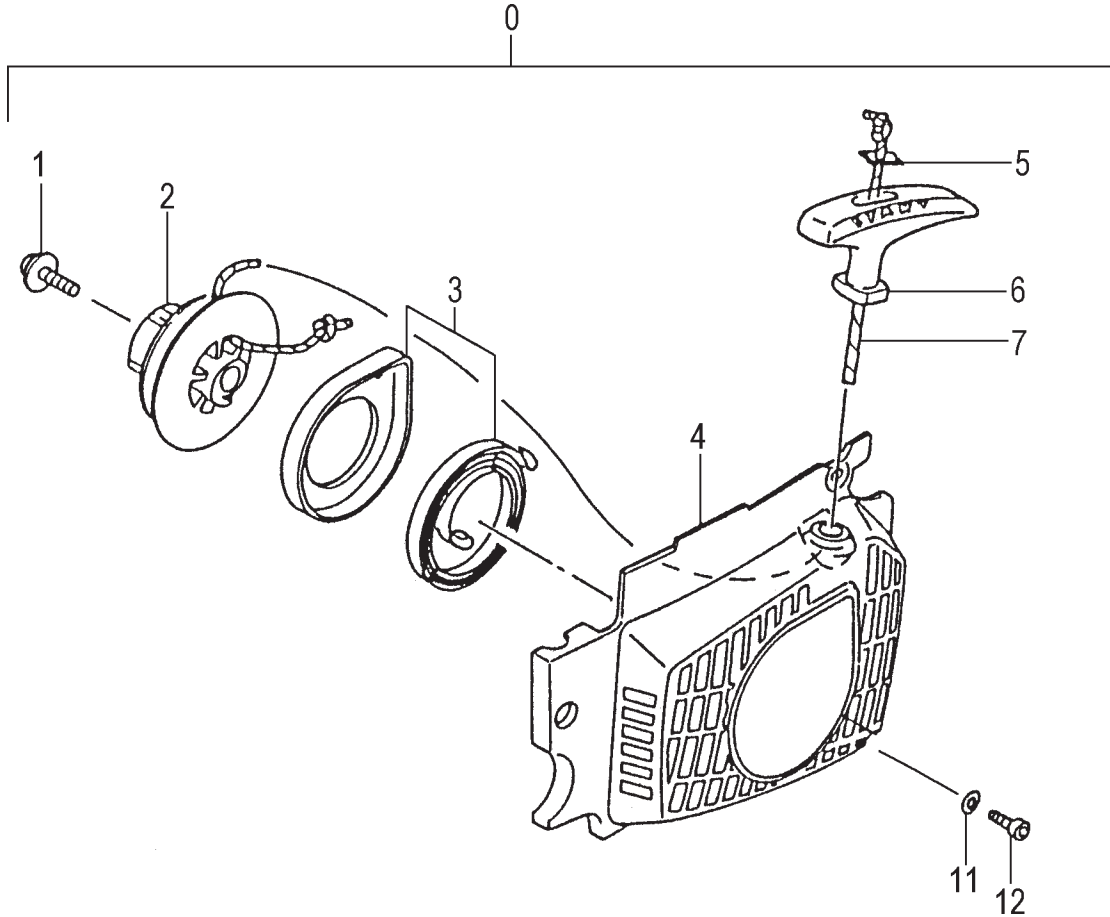
ITEM	PART NUMBER	DESCRIPTION	QTY	COMMENTS
18	2223252K21	DAMPER,SIDE	2	
22	99053050353	SCREW,HEX HOLE,5X35	1	V249987~
27	5153252K20	PIPE,OIL A	1	
28	68004019210	CLIP,7	1	
29	48632530800	BODY,OIL FILTER	1	
40	0710406321	SHIM,CRANKSHAFT,0.1	1	
40	0710406323	SHIM,CRANKSHAFT,0.2	1	
40	0710406324	SHIM,CRANKSHAFT,0.3	1	
40	0710406325	SHIM,CRANKSHAFT,0.4	1	T046010~
41	0720406690	CRANKCASE ASSY	1	
42	99905041201	PIN,KNOCK,4X12	2	
43	99966123219	SEAL,OIL	1	
44	99351032002	RING,STOP,C-32 IN	1	
45	99961620106	BEARING,BALL,#6201	1	
46	99961620106	BEARING,BALL,#6201	1	
47	99351032002	RING,STOP,C-32 IN	1	
48	99966123219	SEAL,OIL	1	
49	0900406322	GASKET,GRANKCASE	1	
50	56204060200	VALVE,AIR VENT,B	1	
51	5660406320	COVER,AIR VENT	1	
55	99461050184	BOLT,HEX,5X18,S	3	
56	99461050304	BOLT,HEX,5X30S	3	
58	1320406320	DEFLECTOR,AIR	1	
61	99201080011	WASHER,8	1	
62	99101080011	NUT,8	1	
63	1552154190	ROTOR,MAGNETO	1	
64	1820170020	WASHER,SPECIAL	2	
65	7900406320	SPRING,PAWL	2	
66	78801700200	PAWL,STARTER	2	
67	79310200202	BOLT,STEP	2	
68	2173252K20	DAMPER,HANDLE	1	V249987~



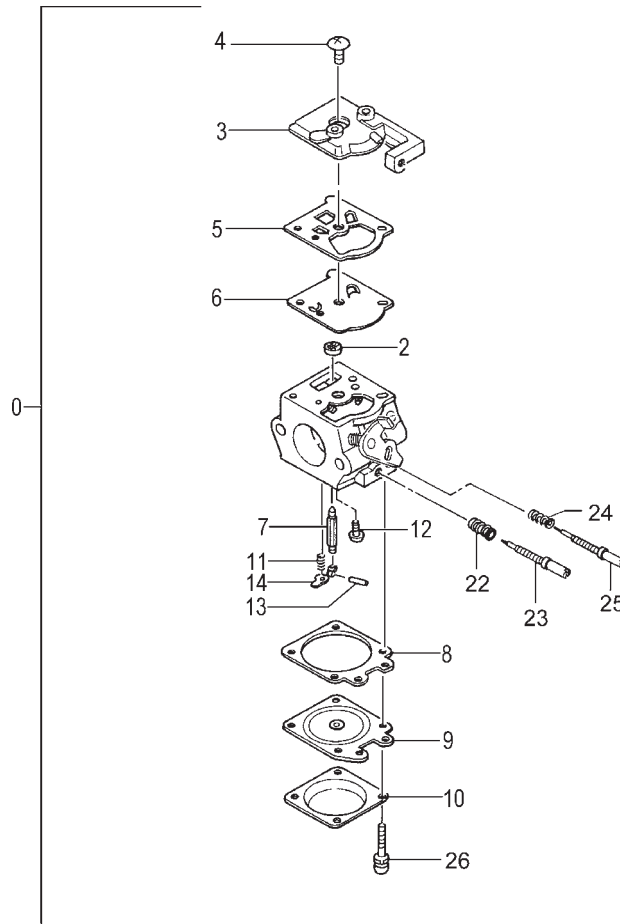
ITEM	PART NUMBER	DESCRIPTION	QTY	COMMENTS
11-1	2870409A80	CLUTCH	1	~V249986
11	2770406390	CLUTCH ASSY	1	V249987~
12	3103252L82	HOUSING,CLUTCH,7TH	1	
13	99962111430	BEARING,NEEDLE,KT111410G	1	
14	0973252K20	COVER,OIL PUMP	1	
15	0843252K80	GEAR,SCREW	1	
16	1453252K81	PUMP,OIL	1	Includes Adjustment Screw
17	06735600200	WASHER,PINION	1	
19	99416040226	SCREW,WS,4X22	4	
20	99416040186	SCREW,WS,4X18	2	
21	0863252K20	VALVE,RELEASE	1	
25	99967003012	O-RING,S-3	1	
26	99967005000	O-RING,P5	1	
31	3420406321	SPRING,CLUTCH	1	
32	3450406321	SHOE,CLUTCH	3	
33	3460406320	BOSS,CLUTCH	1	
34	3590406320	WASHER,CLUTCH B	1	V249987~



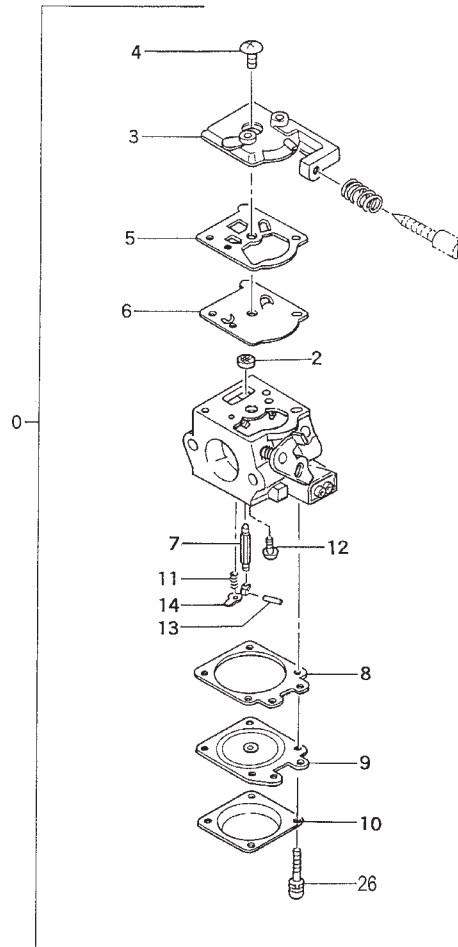
ITEM	PART NUMBER	DESCRIPTION	QTY	COMMENTS
1	4440406300	ELEMENT,CLEANER,ASSY	1	
3	4360406380	BASE,CLEANER	1	
4	99051050453	BOLT,HEX,5X45	2	
5	99210050012	WASHER,S,5	2	
6	99200050011	WASHER,SMALL,5	2	
7	99461050164	BOLT,HEX,5X16,S	1	
8	99201050011	WASHER,5	1	
9	1973252K80	SCREW,IDLE ADJ	1	
10	1820406320	WASHER,SPECIAL	1	
11	4090406320	INSULATOR,CARB RUBBER	1	
12	4040406380	INSULATOR,CARBURETOR	1	
13	3910406380	MANIFOLD,INLET	1	
14	4030406320	GASKET,INLET MANIFOLD	1	
15	99461040104	BOLT,HEX,4X10,S	2	
16	46325012200	SPRING,IDLE ADJUST	1	
20	7370406320	GASKET,MUFFLER	1	
21	7040406590	SET,MUFFLER	1	
22	7600406520	STAY,MUFFLER	1	
23	99461050164	BOLT,HEX,5X16,S	2	
24	99051040106	BOLT,HEX HOLE,4X10	1	
25	7210406520	PIPE,MUFFLER	1	
26	7320406520	ARRESTER,SPARK	1	
27	99051040106	BOLT,HEX HOLE,4X10	1	



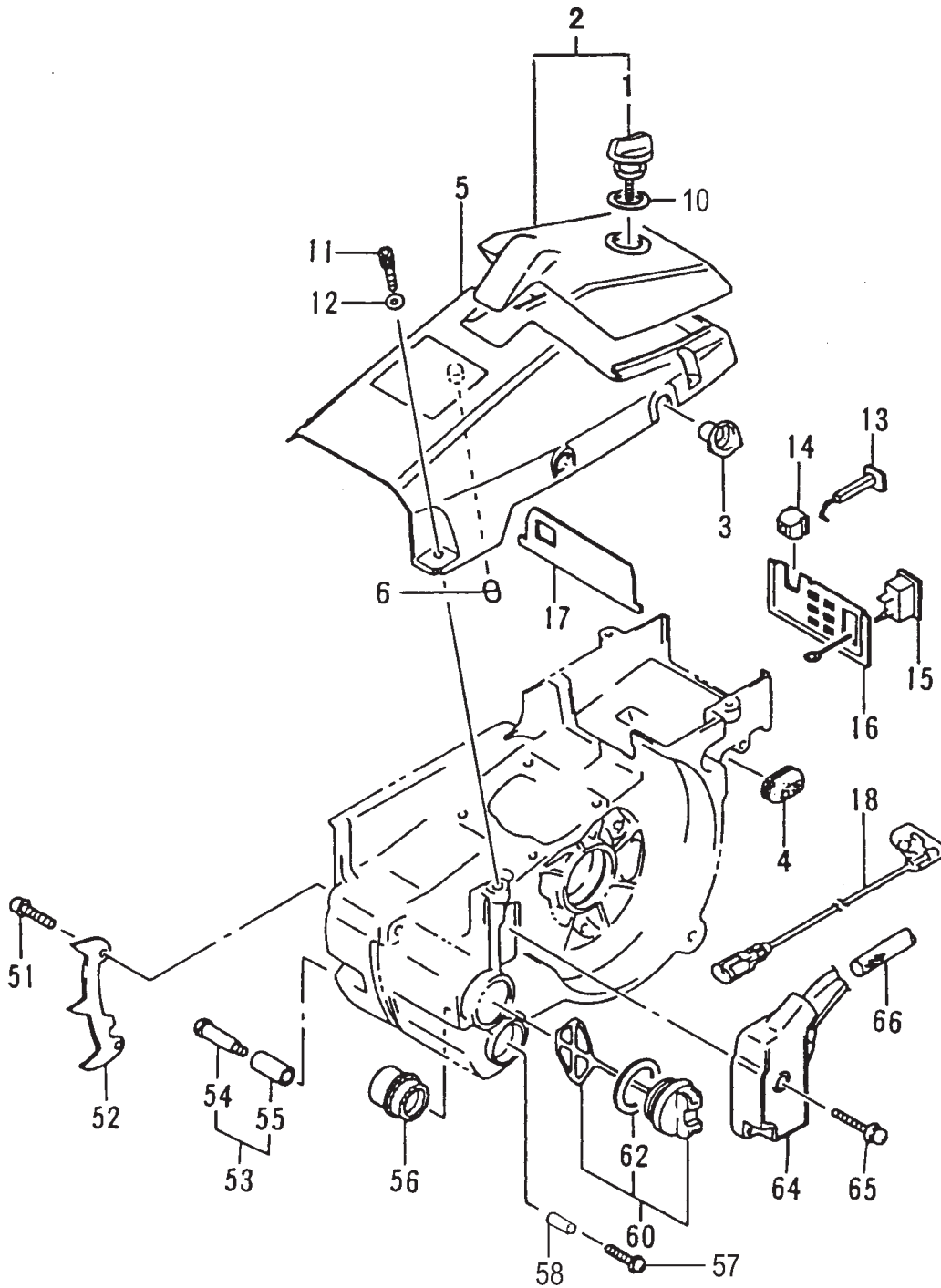
ITEM	PART NUMBER	DESCRIPTION	QTY	COMMENTS
0	7560406590	RECOIL,STARTER ASSY	1	
1	8390201020	SCREW,SET	1	
2	77401700200	REEL,STARTER ROPE	1	
3	7780406390	RECOIL,SPRING CASE	1	
4	1120406580	CASE,FAN	1	
5	7950406320	STOPPER,ROPE	1	
6	7850406320	HANDLE,STARTER	1	
7	78301700201	ROPE,STARTER	1	
11	99200050011	WASHER,SMALL,5	3	
12	99461050164	BOLT,HEX,5X16,S	3	



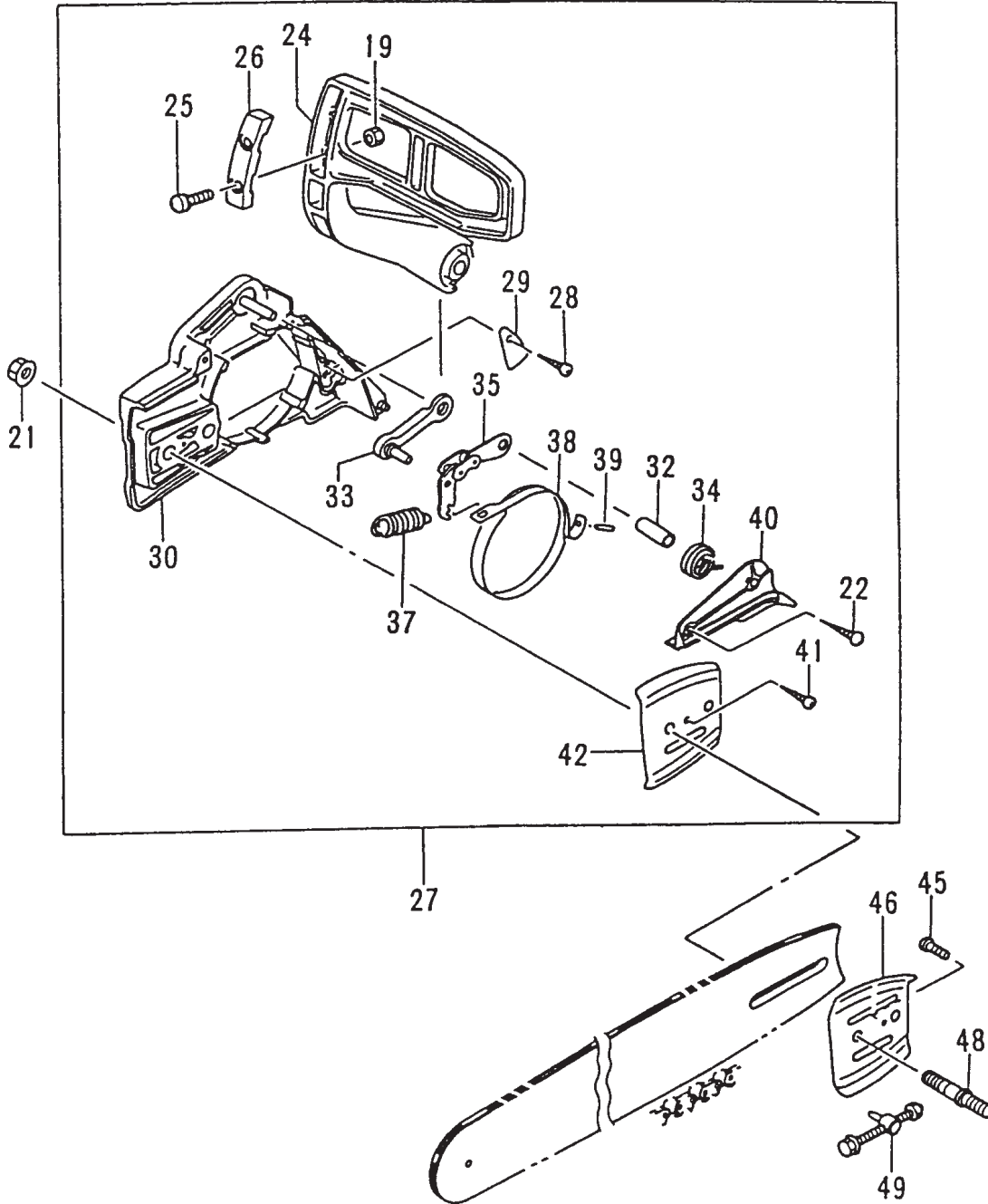
ITEM	PART NUMBER	DESCRIPTION	QTY	COMMENTS
0	4552509290	CARBURETOR,ASS'Y	1	~S187932
2	57825007200	SCREEN,INLET	1	
3	57525006200	BODY,PUMP	1	
4	51425001200	SCREW,SET	1	
5	~ ~ ~	GASKET,PUMP	1	~ Order Carb Kit #650.25001.910
6	~ ~ ~	DIAPHRAGM,PUMP	1	Parts not available individually
7	6032501220	NEEDLE VALVE	1	
8	~ ~ ~	GASKET,DIAPHRAGM	1	
9	~ ~ ~	DIAPHRAGM,METERING	1	
10	47625004200	COVER,DIAPHRAGM	1	
11	4772508020	SPRING,VALVE	1	
12	54625001200	SCREW,SET,HINGE PIN	1	
13	60525001200	PIN,HINGE	1	
14	47325001200	HINGE,VALVE	1	
22	62325032200	SPRING,ADJUST,HI/LOW	1	
23	4612508620	SCREW,LOW ADJ	1	
24	48525040200	SPRING,ADJUST,HIGH	1	
25	4602508020	SCREW,HIGH ADJUST	1	
26	54825012200	SCREW,SET	4	



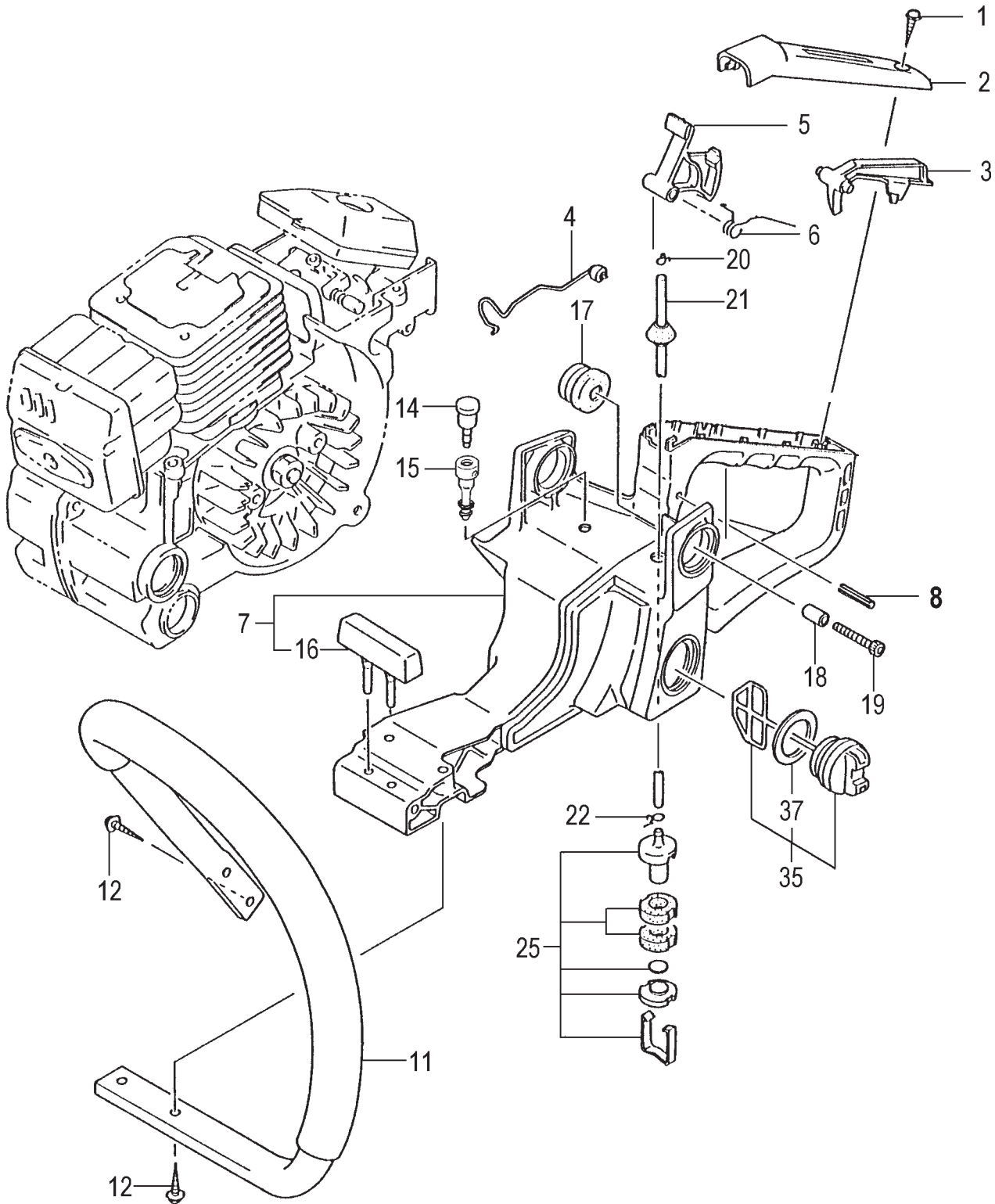
ITEM	PART NUMBER	DESCRIPTION	QTY	COMMENTS
0	4552509590	CARBURETOR ASS'Y	1	S187933~
2	57825007200	SCREEN,INLET	1	
3	57525006200	BODY,PUMP	1	
4	51425001200	SCREW,SET	1	
5	~ ~ ~	GASKET,PUMP	1	~ Order Carb Kit #650.25001.910
6	~ ~ ~	DIAPHRAGM,PUMP	1	Parts not available individually
7	6032501220	NEEDLE VALVE	1	
8	~ ~ ~	GASKET,DIAPHRAGM	1	
9	~ ~ ~	DIAPHRAGM,METERING	1	
10	47625004200	COVER,DIAPHRAGM	1	
11	4772508020	SPRING,VALVE	1	
12	54625001200	SCREW,SET,HINGE PIN	1	
13	60525001200	PIN,HINGE	1	
14	47325001200	HINGE,VALVE	1	
26	54825012200	SCREW,SET	4	



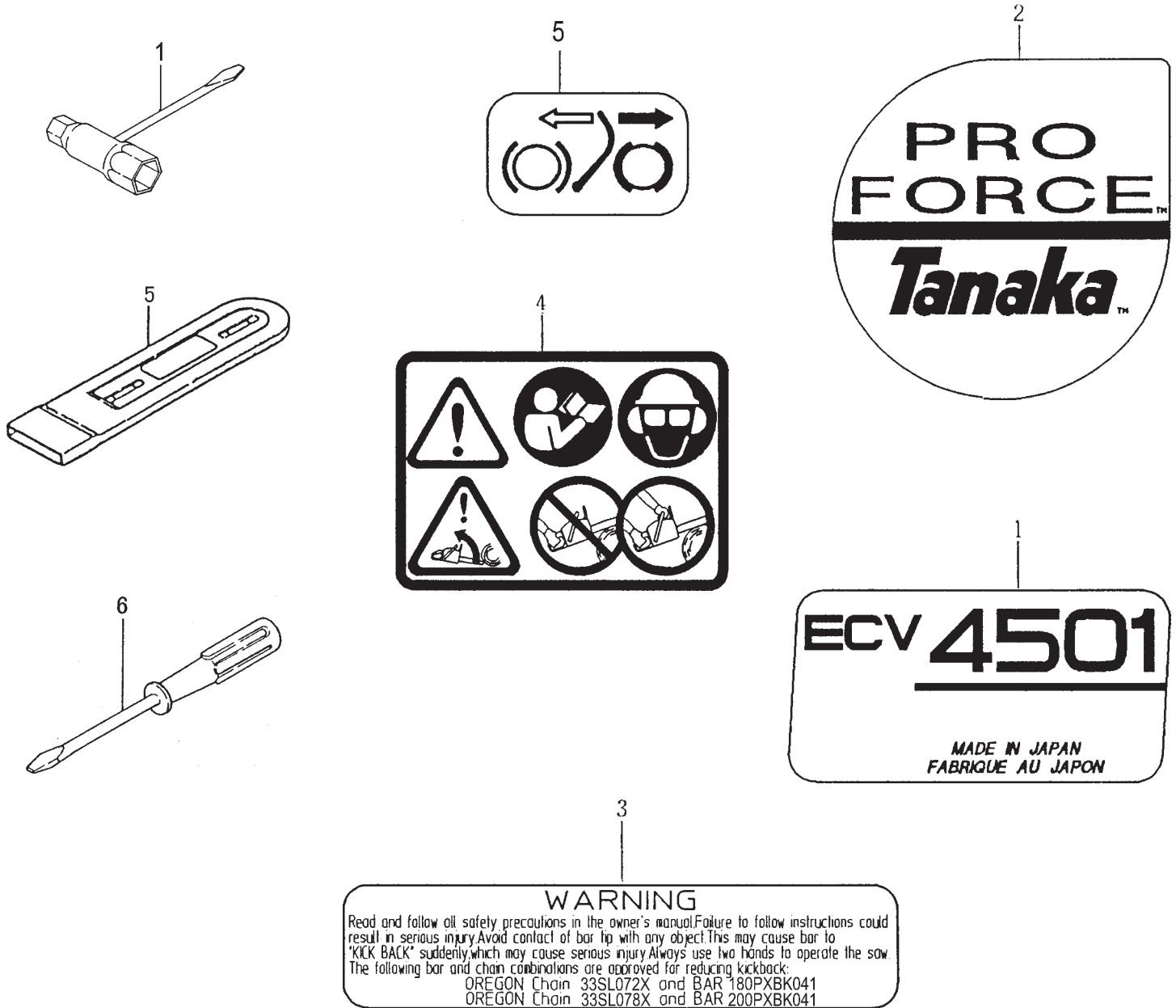
ITEM	PART NUMBER	DESCRIPTION	QTY	COMMENTS
1	1753252K80	KNOB,AIR CLEANER	1	
2	4520406590	COVER,CLEANER	1	
3	1913252K20	GROMMET,IDLE	1	
4	1903252K20	CAP,ADJUSTER	1	
5	0160406520	COVER,CYLINDER	1	
6	5990406320	CUSHION	1	
10	4180406320	GASKET,CLEANER	1	S187933~
11	99461050164	BOLT,HEX,5X16,S	3	
12	99200050011	WASHER,SMALL,5	3	
13	7043252K80	BUTTON,CHOKE	1	
14	7073255020	RUBBER,CHOKE ROD	1	
15	1620406381	SWITCH,STOP	1	
16	5110406320	PLATE,CONTROL	1	
17	1883252K20	PLATE,SHUTTER	1	
18	1790406381	CORD,STOP B225M	1	
51	99461050124	BOLT,HEX,5X12S	1	
52	4603252K20	SPIKE,BUCKING	1	
53	1253252K90	CATCHER,CHAIN	1	
54	3800406320	BOLT,SPECIAL	1	
55	70007105020	PIPE,VINYL	1	
56	21932600821	DAMPER,FRONT	2	Always replace both dampers
57	99073050184	SCREW,TAPPING,5X18	2	~V094630
57	99073050354	SCREW,TAPPING,5X35	2	V094631~
58	6593792220	COLLAR,15	2	V094631~
60	6423252K90	CAP,OIL TANK ASSY	1	
62	5233252K20	GASKET,OIL TANK CAP	1	
64	1672152781	COIL,IGNITION	1	
65	99464040184	BOLT,HEXT 4X18WS	2	
66	2500406321	TUBE,CORD INSULATOR	1	



ITEM	PART NUMBER	DESCRIPTION	QTY	COMMENTS
19	99101040011	NUT,4	2	
21	12132530200	NUT,CLAMP,BAR	2	~U004300
21	12132600200	NUT,CLAMP,BAR	2	U004301~
22	99075040154	SCREW,TAPPING,4X15	2	~S187932
22	99075040154	SCREW,TAPPING,4X15	3	S187933~
24	8053252K20	GUARD,FRONT HAND	1	
25	99414040121	SCREW,4X12/S	2	
26	8083252K20	GUARD,HAND	1	
27	0403285B91	CASE,SIDE ASS'Y	1	
28	99341040101	SCREW,TAPPING,4X10	1	
29	3763252P21	HOLDER,BRAKE BAND	1	
30	0393285B81	COVER,SIDE	1	
32	47010246200	COLLAR	1	
33	3863252K80	METAL,BRAKE	1	
34	3883252K21	LEVER,BRAKE SPRING	1	
35	3793290180	LINK,BRAKE	1	
37	3743252K21	SPRING,BRAKE	1	
38	3783252K21	BAND,BRAKE	1	
39	99905300980	BEARING,NEEDLE	1	
40	3753252Y21	COVER,BRAKE LINK	1	
41	99341040101	SCREW,TAPPING,4X10	1	
42	4623252K20	PLATE,GUIDE B	1	
45	99011040081	SCREW,4X8	1	
46	4613252K20	PLATE,GUIDE A	1	
48	10132530200	STUD,BAR	2	
49	1163252K90	BOLT,CHAIN TENSION	1	



ITEM	PART NUMBER	DESCRIPTION	QTY	COMMENTS
1	99073050184	SCREW, TAPPING, 5X18	1	
2	2273252K22	GRIP, REAR HANDLE	1	
3	2573252K20	LEVER, SAFETY	1	
4	4903252K81	ROD, THROTTLE	1	
5	0603252K20	LEVER, THROTTLE	1	
6	0613252K20	SPRING, THROTTLE LEVER	1	
7	0123285B91	HANDLE, REAR ASS'Y	1	
8	99326005254	PIN, SPRING, 5X25	1	
11	2093285A80	HANDLE, FRONT	1	
12	99073050184	SCREW, TAPPING, 5X18	4	
14	6460661290	VALVE	1	
15	5650406320	PIPE, AIR VENT	1	
16	2323252K20	DAMPER, FRONT	1	
17	2443252K80	DAMPER	2	
18	2753252K20	DAMPER, COLLAR	2	
19	99051040203	BOLT, HEX, 4X20	2	
20	68004001200	CLIP, 5.2	1	
21	2230406390	TUBE, SHEILD ASSY	1	
22	68000731201	CLIP 6.3	1	
25	6751165790	FILTER, FUEL	1	
35	6353252K90	CAP, TANK ASSY	1	
37	6303252K20	GASKET, TANK CAP	1	



ITEM	PART NUMBER	DESCRIPTION	QTY	COMMENTS
1	01329325400	SPANNER,BOX,10X19	1	~U004300
1	88332600200	SPANNER,COMBO	1	U004301~
5	BCC-160	COVER,BAR/CHAIN,16"	1	
5	BCC-200	COVER,BAR/CHAIN,20"	1	
6	081293291G	DRIVER,SCREW,4X50	1	

ITEM	PART NUMBER	DESCRIPTION	QTY	COMMENTS
1	9063286A20	DECAL,ECV-4501	1	
2	9153285F20	DECAL,PROFORCE	1	
3	9073286A20	DECAL,CAUTION	1	
4	9093265320	DECAL,CAUTION A	1	
5	9093285B20	DECAL,CAUTION A	1	~S187932