

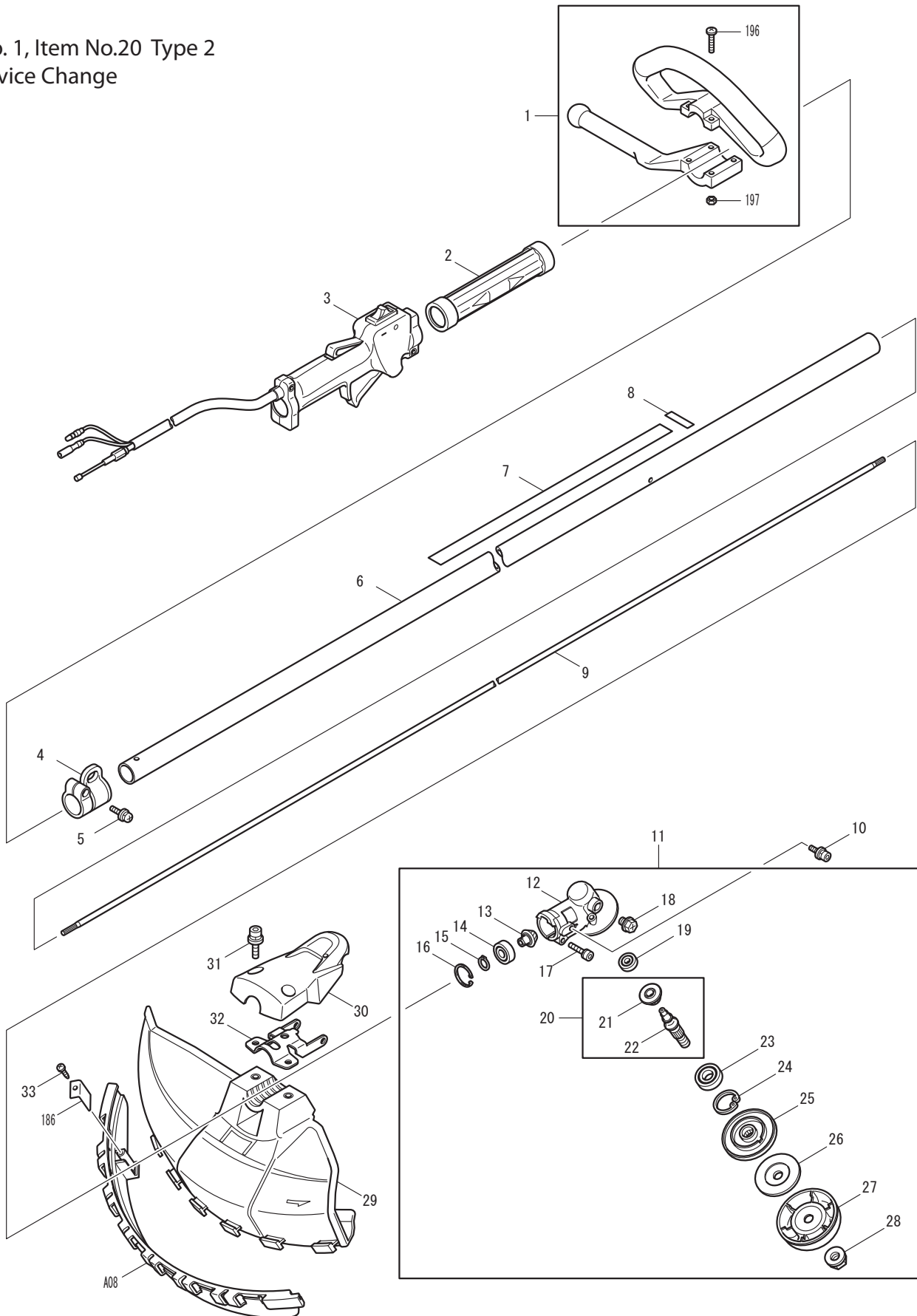


09 - 2010

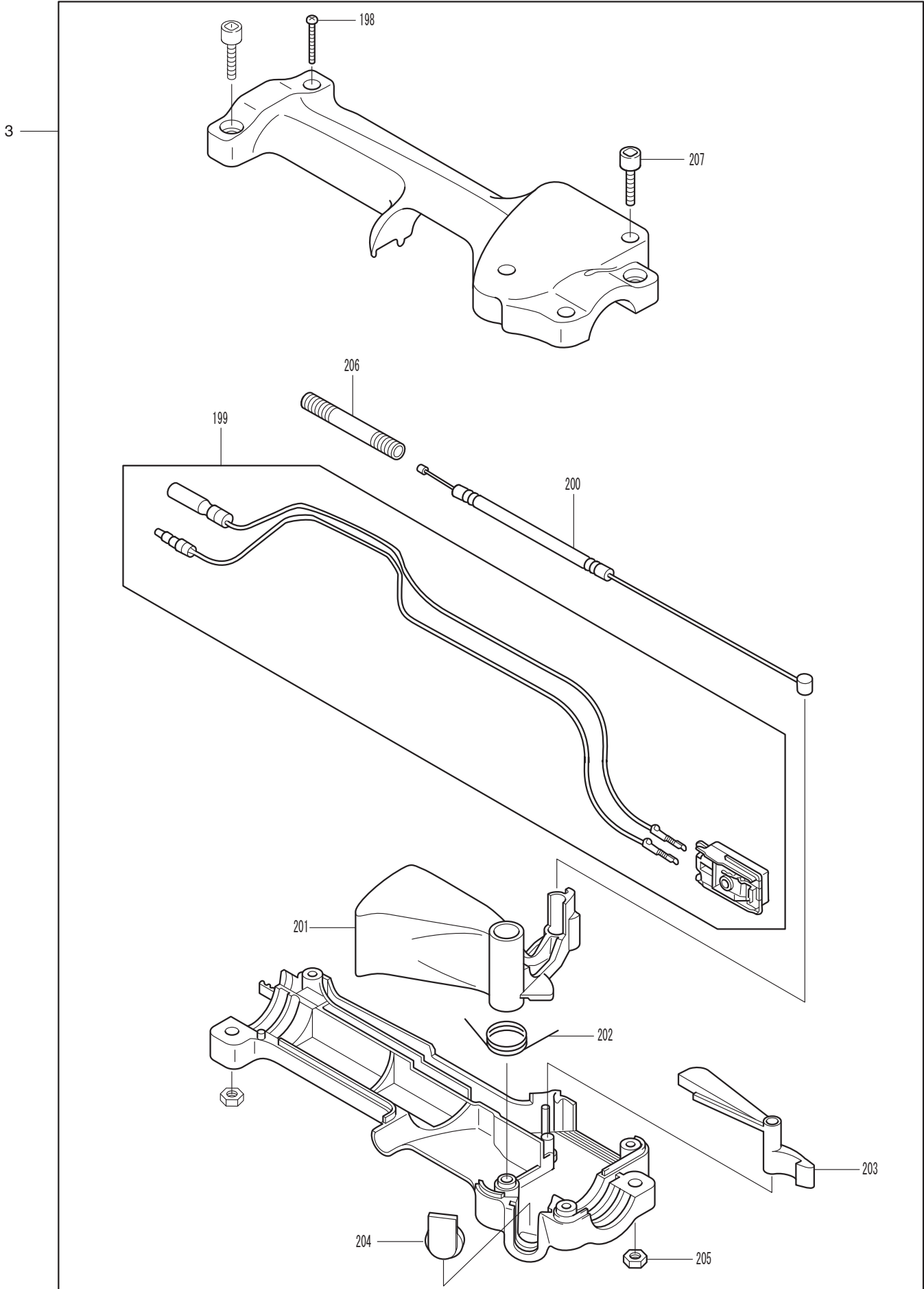
EBH253L

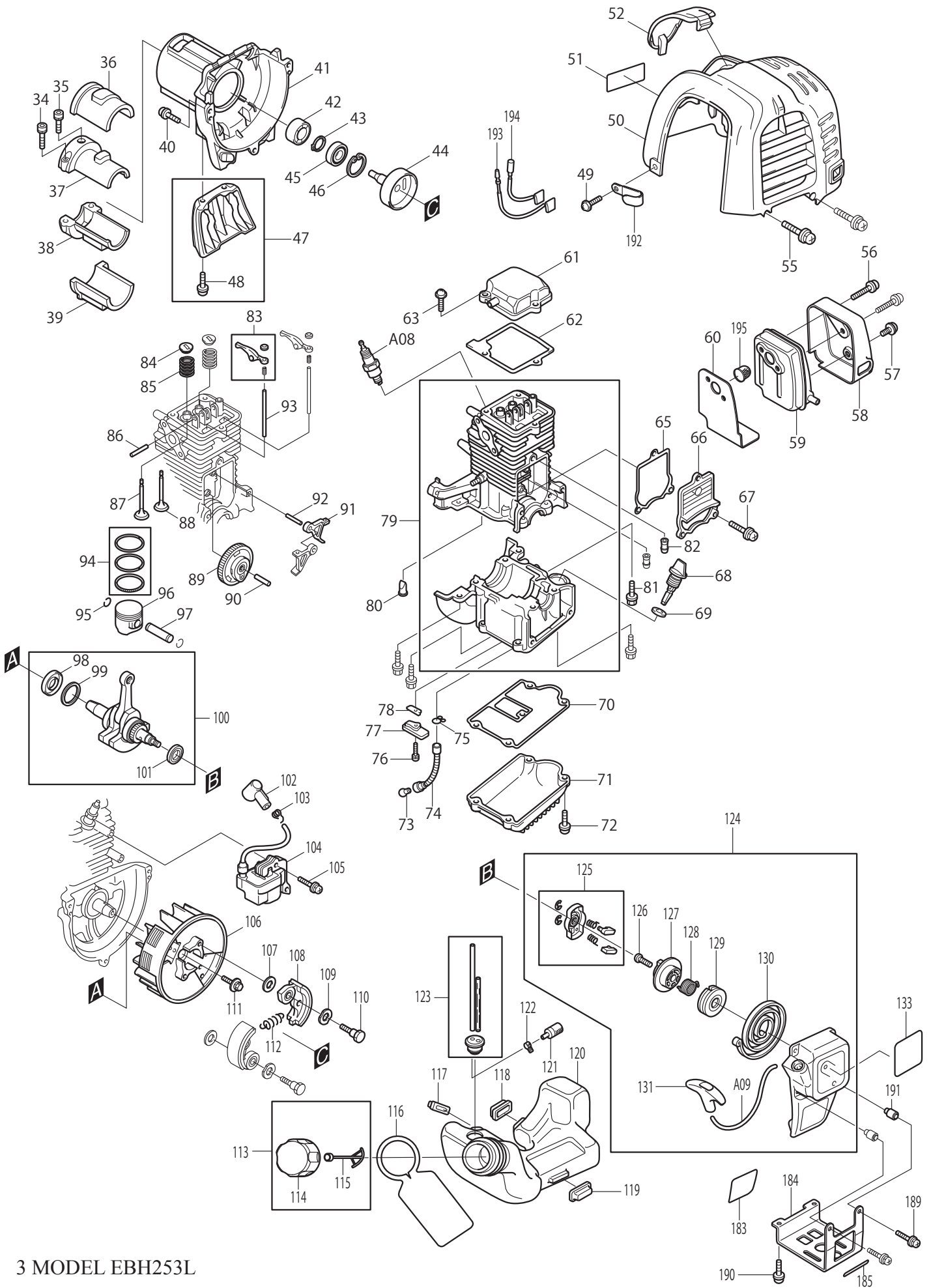
# 24.5CC LINE TRIMMER, LOOP HANDLE

\* Item No. 1, Item No.20 Type 2  
See Service Change

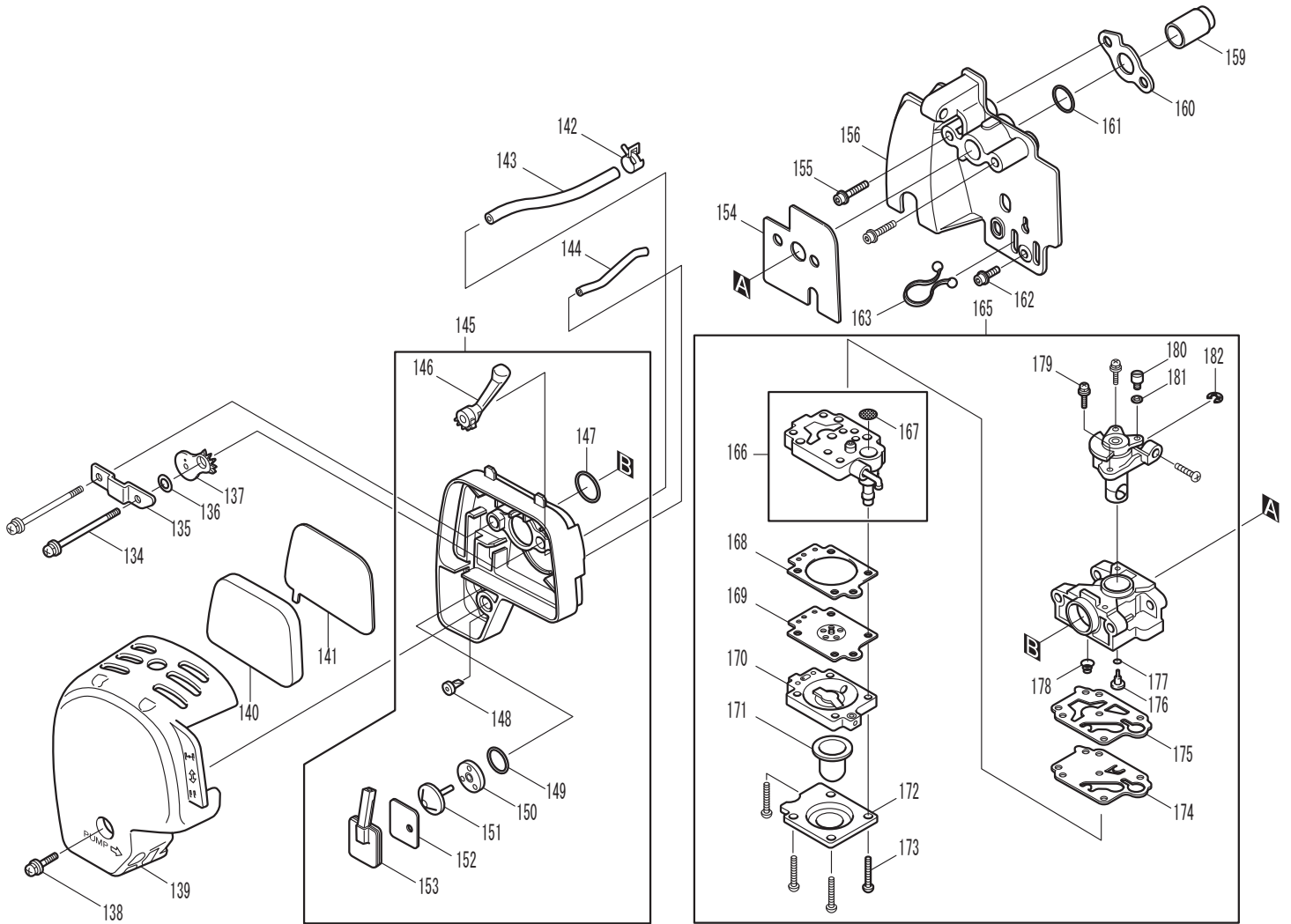


\*Item No.3: See Service Change (Pg.10-11) for Type 2





3 MODEL EBH253L



Item No	Type	Ref	Part No	Description	Qty	Unit
1	1		125567-8	* HANDLE ASSEMBLY	1	PC.
		INC.		* Item No. 196, 197		
1	2		195215-3	* LOOP HANDLE SET	1	PC.
		INC.		* Item No. 224-226		
	3		195215-3	* LOOP HANDLE SET	1	PC.
		INC.	783014-1	* + SCREW DRIVER 2 (Added)	1	PC.
		INC.		* Item No. 224-226		
2	1		450659-7	* SPACER	1	PC.
	2		451601-1	* SPACER 24	1	PC.
3	1		125495-7	* CONTROL LEVER ASSEMBLY	1	PC.
		INC.		* Item No. 198-207	1	PC.
	2		125759-9	* CONTROL LEVER ASSEMBLY	1	PC.
		INC.		* Item No. 208-223		
	3		126487-9	* CONTROL LEVER ASSEMBLY	1	PC.
		INC.		* Item No. 208-223		
4			195143-2	HANGER SET	1	PC.
		INC.		Item No. 5		
5			911233-1	PAN HEAD SCREW M5X20	1	PC.
6			140041-5	SHAFT PIPE COMPLETE	1	PC.
7			810541-6	CAUTION LABEL	1	PC.
8	1		806904-2	SERIAL NO. LABEL - N/L/A	1	PC.
	2		819760-1	DATE CODE LABEL	1	PC.
	3		814A82-0	DATE CODE LABEL	1	PC.
9			324893-4	SHAFT	1	PC.
10			922218-2	H.S.H.BOLT M5X14 WITH WR	2	PC.
11	1		125556-3	* GEAR CASE ASSEMBLY	1	PC.
		INC.		* Item No. 12-18,20,23-28		
	2		126265-7	* GEAR CASE ASSEMBLY	1	PC.
		INC.		* Item No. 12-18,20,23-28		
12			318445-1	GEAR CASE (N/L/A as individual part)	1	PC.
13			227551-0	SPIRAL BEVEL GEAR 14 (N/L/A as individual part)	1	PC.
14			210049-4	BALL BEARING 609ZZ	1	PC.
15			961005-4	RETAINING RING S-9	1	PC.
16			962103-7	RETAINING RING R-24	1	PC.
17			922241-7	HEX. SOCKET HEAD BOLT M5X25	1	PC.
18			265590-2	+HEX.BOLT M8X10 WITH R	1	PC.
19			211019-6	* BALL BEARING 626	1	PC.
				(Recommend to replace by whole Gear case assy)		
20	1		140039-2	* CUTTER SHAFT COMPLETE (Item 13,21,22)	1	PC.
	2		188866-9	* CUTTER SHAFT SET (Item 13,21,22)	1	PC.
	3		188902-1	* CUTTER SHAFT SET (Item 13,19,21,22)	1	PC.
	4		187547-2	* CUTTER SHAFT SET (Item 13,19,21,22)	1	PC.
21			227552-8	* SPARAL BEVELGEAR 19 (N/A as individual part)	1	PC.
22			325676-5	* CUTTER SHAFT (N/A as individual part)	1	PC.
23			210115-7	BALL BEARING 6001LLU	1	PC.
24			962106-1	RETAINING RING R-28	1	PC.
25			331861-0	RECEIVE WASHER	1	PC.
26	1		346084-7	CLAMP WASHER	1	PC.
	2		346660-7	CLAMP WASHER	1	PC.
27			168526-9	CUP	1	PC.
28	1		264025-0	* HEX. NUT M10-17	1	PC.
	2		264088-6	* HEX. LOCK NUT M10-17	1	PC.
29	1		451098-4	* PROTECTOR	1	PC.
	2		452260-4	* PROTECTOR	1	PC.
30			451097-6	PROTECTOR COVER	1	PC.
31	1		922353-6	* HEX.SOCKET HEAD BOLT M6X30	2	PC.

Item No	Type	Ref	Part No	Description	Qty	Unit
		2	266579-3	* HEX SOCKET HEAD BOLT M6X30	2	PC.
32			346073-2	PROTECTOR CLAMP	1	PC.
33			266326-2	TAPPING SCREW 4X18	1	PC.
34			922226-3	HEX. SOCKET HEAD BOLT M5X18	2	PC.
35			922211-6	HEX. SOCKET HEAD BOLT M5X12	1	PC.
36			424191-7	PIPE DAMPER 1	1	PC.
37			318270-0	PIPE BRACKET 1	1	PC.
38			318271-8	PIPE BRACKET 2	1	PC.
39			424107-2	PIPE DAMPER 2	1	PC.
40	1		265191-6	PAN HEAD SCREW M5X18	3	PC.
40	2		922222-1	HEX. SOCKET HEAD BOLT M5X16	3	PC.
41			318329-3	CLUTCH CASE	1	PC.
42			450569-8	SPACER	1	PC.
43			961052-5	RETAINING RING S-12	1	PC.
44	1		168475-0	CLUTCH DRUM	1	PC.
	2		168809-7	CLUTCH DRUM	1	PC.
45			210111-5	BALL BEARING 6201DDU (Descr chg)	1	PC.
45			210111-5	BALL BEARING 6201LLU	1	PC.
46			962151-6	RETAINING RING R-32	1	PC.
47			195144-0	STAND SET	1	PC.
		INC.		Item No. 48		
48			911218-7	PAN HEAD SCREW M5X14 W/WASHER & SPRING WASHER	2	PC.
49	1		265187-7	PAN HEAD SCREW M5X12 - N/L/A	2	PC.
	2		911213-7	PAN HEAD SCREW M5X12	2	PC.
50			450654-7	CYLINDER COVER	1	PC.
51			819312-8	MAKITA LOGO LABEL	1	PC.
52	1		450568-0	PLUG COVER	1	PC.
	2		452144-6	PLUG COVER	1	PC.
53			808633-3	4STROKE INDICATION LABEL	1	PC.
55	1		265189-3	PAN HEAD SCREW M4X16 - N/L/A	2	PC.
	2		911128-8	PAN HEAD SCREW M4X16	2	PC.
56			266440-4	HEX SOCKET HEAD BOLT M5X40	2	PC.
57			265184-3	+TRUSS HEAD SCREW M5X5	1	PC.
58			345915-7	MUFFLER COVER	1	PC.
59			168469-5	EXHAUST MUFFLER	1	PC.
60			345916-5	MUFFLER GASKET	1	PC.
61			140023-7	ROCKER COVER COMPLETE	1	PC.
62			162275-0	ROCKER COVER GASKET	1	PC.
63	1		266494-1	+ PAN HEAD SCREW M5X16	3	PC.
63	2		922223-9	H.S.H.BOLT M5X16 WITH WR	3	PC.
65			162274-2	CAM GEAR COVER GASKET	1	PC.
66			318443-5	CAM GEAR COVER	1	PC.
67	1		911218-7	PAN HEAD SCREW M5X14 W/WASHER & SPRING WASHER	3	PC.
	2		266495-9	HEX.SOCKET HEAD BOLT M5X14 - N/L/A	3	PC.
	3		922217-4	HEX. SOCKET HEAD BOLT M5X14	3	PC.
68			450565-6	OIL GAUGE	1	PC.
69			424100-6	GASKET	1	PC.
70			162276-8	CASE GASKET	1	PC.
71			318442-7	OIL CASE	1	PC.
72	1		265186-9	PAN HEAD SCREW M5X18	4	PC.
72	2		266495-9	HEX.SOCKET HEAD BOLT M5X14 - N/L/A	4	PC.
72	3		922217-4	HEX. SOCKET HEAD BOLT M5X14	4	PC.
73			325666-8	OIL WEIGHT	1	PC.
74			424202-8	OIL TUBE	1	PC.

Item No	Type	Ref	Part No	Description	Qty	Unit
75			282020-8	HOSE CLAMP	1	PC.
76	1		266493-3	HEX.SOCKET HEAD BOLT M4X10 - N/L/A	1	PC.
	2		922111-0	HEX. SOCKET HEAD BOLT M4X10	1	PC.
	3		922112-8	HEX. SOCKET HEAD BOLT M4X10	1	PC.
77			318440-1	RETAINER PLATE	1	PC.
78			346083-9	LEAD VALVE	1	PC.
79	1		125550-5	CYLINDER BLOCK ASSEMBLY - N/L/A	1	PC.
	2		135375-9	CYLINDER BLOCK ASSEMBLY	1	PC.
		INC.		Item No. 80-82		
80			424201-0	CHECK VALVE	2	PC.
81	1		266495-9	HEX.SOCKET HEAD BOLT M5X14 - N/L/A	8	PC.
	2		922217-4	HEX. SOCKET HEAD BOLT M5X14	8	PC.
82			424200-2	SPACER	2	PC.
83			125554-7	ROCKER ARM ASSEMBLY	2	PC.
84			325668-4	SPRING RETAINER	2	PC.
85			234108-0	COMPRESSION SPRING 9	2	PC.
86			256200-2	PIN 5	1	PC.
87	1		325670-7	INTAKE VALVE	1	PC.
	2		326367-1	INTAKE VALVE	1	PC.
88	1		325669-2	EXHAUST VALVE	1	PC.
	2		326366-3	EXHAUST VALVE	1	PC.
89			125552-1	CAM GEAR ASSEMBLY	1	PC.
90			268238-5	PIN 5	1	PC.
91			313169-4	CAM LIFTER	2	PC.
92			268239-3	PIN 4	1	PC.
93			256865-0	ROD 2.5	2	PC.
94	1		195145-8	PISTON RING SET	1	PC.
	2		196595-0	PISTON RING SET	1	PC.
95			233976-8	CLIP	2	PC.
96			318441-9	PISTON	1	PC.
97			257781-9	PISTON PIN	1	PC.
98			213147-3	OIL SEAL 12 -Old (Component of 125551-3)	1	PC.
99			267400-9	FLAT WASHER 23 - Old (Component of 125551-3)	1	PC.
100	1		125551-3	CRANK SHAFT ASSEMBLY - N/L/A	1	PC.
		INC.		Item No. 98,99,101		
100	2		135374-1	CRANKSHAFT ASSEMBLY (OLD 125551-3)	1	PC.
		INC.		Item No. 98,99,101		
100	3		135539-5	CRANKSHAFT ASSEMBLY (OLD 135374-1)	1	PC.
		INC.		Item No. 98,99,101		
101			213148-1	OIL SEAL 10 - Old (Component of 125551-3)	1	PC.
102			424105-6	PLUG CAP	1	PC.
103			324891-8	PLUG CAP SPRING	1	PC.
104			168501-5	IGNITION COIL	1	PC.
105	1		911139-3	PAN HEAD SCREW M4X20 WG - N/L/A	2	PC.
	2		922138-0	H.S.H.BOLT M4X20 WITH WR	2	PC.
106			318343-9	FLYWHEEL	1	PC.
107			267812-6	WASHER 6	2	PC.
108			168498-8	CLUTCH SHOE	2	PC.
109			267817-6	WASHER 8	2	PC.
110	1		266457-7	SHOULDER HEX. BOLT M6X25	2	PC.
	2		266864-4	SHOULDER HEX. BOLT M6X25	2	PC.
111			265577-4	HEX HEAD BOLT M6X16	1	PC.
112	1		231858-8	TENSION SPRING 6	1	PC.
	2		231881-3	TENSION SPRING 7	1	PC.
113			125472-9	FUEL TANK CAP ASSEMBLY	1	PC.
		INC.		Item No. 114,115		

Item No	Type	Ref	Part No	Description	Qty	Unit
114			140435-4	FUEL TANK CAP	1	PC.
115			140436-2	STRAP COMPLETE	1	PC.
116			810455-9	CAUTION PLATE	1	PC.
117			424102-2	PLATE	1	PC.
118			424103-0	PLATE	1	PC.
119			424104-8	DAMPER	1	PC.
120	1		451251-2	FUEL TANK (For the machine produced in or before 2011)	1	PC.
	2		454004-8	FUEL TANK (For the machine produced in or after 2012)	1	PC.
121			163447-0	GASOLIN FILTER	1	PC.
122			345920-4	HOSE CLAMP	1	PC.
123	1		168472-6	TUBE COMPLETE	1	PC.
	2		168770-8	TUBE COMPLETE	1	PC.
124			195147-4	RECOIL STARTER SET	1	PC.
		INC.		Item No. 125-132		
125			168471-8	PULLEY	1	PC.
126			266585-8	TAPPING SCREW 5X12	1	PC.
127			451940-9	CAM PLATE	1	PC.
128			233984-9	DAMPER SPRING	1	PC.
129			451939-4	REEL	1	PC.
130			232258-5	SPIRAL SPRING	1	PC.
131			424319-7	STARTER KNOB	1	PC.
133			809116-6	EBH253L MODEL NO. LABEL	1	PC.
134			265188-5	+PAN HEAD SCREW M5X68	2	PC.
135			345919-9	PLATE	1	PC.
136			423376-2	GASKET	1	PC.
137			450560-6	CHOKE PLATE	1	PC.
138			911218-7	PAN HEAD SCREW M5X14 W/WASHER & SPRING WASHER	1	PC.
139			450561-4	AIR CLEANER COVER	1	PC.
140			443141-3	AIR CLEANER ELEMENT	1	PC.
141			443140-5	AIR CLEANER ELEMENT	1	PC.
142			345918-1	HOSE CLAMP	1	PC.
143			422041-0	BREATHER PIPE	1	PC.
144			422042-8	PIPE	1	PC.
145			125468-0	CLEANER PLATE ASSEMBLY	1	PC.
		INC.	140814-6	AIR CLEANER PLATE COMPLETE (Added)	1	PC.
		INC.		Item No. 146-153		
146			451925-5	CHOKE LEVER	1	PC.
147			213540-1	O RING 15	1	PC.
148			424316-3	CHECK VALVE	1	PC.
149			213539-6	O RING 14	1	PC.
150			451924-7	CHECK VALVE PLATE	1	PC.
151			424315-5	CHECK VALVE	1	PC.
152			168577-2	SEPARATOR GASKET	1	PC.
153			168576-4	SEPARATOR PLATE	1	PC.
154			413121-3	CARBURETOR GASKET	1	PC.
155			922228-9	H.S.H.BOLT M5X18 WITH WR	2	PC.
156			450559-1	INSULATOR	1	PC.
159			324961-3	INTAKE PIPE	1	PC.
160			413120-5	INSULATOR GASKET	1	PC.
161			213078-6	O-RING 10	1	PC.
162			922213-2	H.S.H.BOLT M5X12 WITH WR	1	PC.
163			450562-2	CLAMP	1	PC.
165			168497-0	CARBURETOR	1	PC.
		INC.		Item No. 166,168-182		



Item No	Type	Ref	Part No	Description	Qty	Unit
166			140437-0	PUMP BODY	1	PC.
		INC.		Item No. 167		
167			352010-6	INLET SCREEN	1	PC.
168			442154-1	METERING DIAPHRAGM GASKET	1	PC.
169			168574-8	METERING DIAPHRAGM	1	PC.
170			140438-8	AIR PURGE BODY	1	PC.
171			424314-7	PRIMER PUMP	1	PC.
172			346270-0	PRIMER PUMP COVER	1	PC.
173			266582-4	TAPPING SCREW 3X24	4	PC.
174			168575-6	PUMP DIAPHRAGM	1	PC.
175			442155-9	PUMP GASKET	1	PC.
176			325924-2	JET	1	PC.
177			213538-8	O RING 2	1	PC.
178			234183-6	CONICAL COMPRESSION SPRING 5-9	1	PC.
179			266581-6	PAN HEAD SCREW M3X8 WITH W	2	PC.
180			325922-6	SWIVEL	1	PC.
181			413140-9	WASHER	1	PC.
182			257964-1	STOP RING E-3	1	PC.
183	1		808720-8	ENGINE LABEL	1	PC.
183			808720-8	GAS EMISSION APPROVAL LABEL	1	PC.
184			345964-4	TANK GUARD	1	PC.
185	1		806903-4	SERIAL NO. LABEL - N/L/A	1	PC.
	2		814998-3	SERIAL LABEL	1	PC.
186			346074-0	CUTTER	1	PC.
187			451092-6	PROTECTOR EXTENSION - Use 135361-0	1	PC.
189			911148-2	PAN HEAD SCREW M4X25	2	PC.
190	1		265187-7	PAN HEAD SCREW M5X12 - N/L/A	2	PC.
	2		911213-7	PAN HEAD SCREW M5X12	2	PC.
191			331835-1	SPACER	2	PC.
192			345963-6	CLAMP	1	PC.
193			638664-6	LEAD UNIT	1	PC.
194			638665-4	LEAD UNIT	1	PC.
195			324980-9	SPARK ARRESTOR	1	PC.
196			266583-2	PAN HEAD SCREW M5X25	4	PC.
197			264037-3	HEX NUT M5	4	PC.
198			266584-0	* TAPPING SCREW 4X20 (F/ Item 3 Type1)	4	PC.
199			638704-0	* SWITCH UNIT (F/ Item 3 Type1)	1	PC.
200			168579-8	* CONTROL CABLE (F/ Item 3 Type1)	1	PC.
201			451933-6	* LONG LEVER (F/ Item 3 Type1)	1	PC.
202			233568-3	* TORSION SPRING (F/ Item 3 Type1)	1	PC.
203			451934-4	* STOP LEVER (F/ Item 3 Type1)	1	PC.
204			451936-0	* TOP (F/ Item 3 Type1)	1	PC.
205			264038-1	* HEX NUT M5 (F/ Item 3 Type1)	2	PC.
206			451935-2	* CORRUGATE TUBE (F/ Item 3 Type1)	1	PC.
207			922233-6	* H. S. H. BOLT M5X20 (F/ Item 3 Type1)	2	PC.
208			233540-5	* TORSION SPRING 11 (F/ Item 3 Type2)	1	PC.
209			233541-3	* TORSION SPRING 7 (F/ Item 3 Type2)	1	PC.
210			266326-2	* TAPPING SCREW 4X18 (F/ Item 3 Type2)	4	PC.
211			922218-2	* H.S.H.BOLT M5X14 WITH WR (F/ Item 3 Type2)	2	PC.
212			188832-6	* LEVER CASE SET (F/ Item 3 Type2)	1	PC.
213			346248-3	* CLAMP 24 (F/ Item 3 Type2)	2	PC.
214			266130-9	* TAPPING SCREW BIND PT 3X16 (F/ Item 3 Type2)	1	PC.
215			168549-7	* CONTROL CABLE (F/ Item 3 Type2)	1	PC.
216			232251-9	* LEAF SPRING (F/ Item 3 Type2)	1	PC.
217	1		451592-6	* THROTTLE LEVER (F/ Item 3 Type2)	1	PC.
	2		455313-8	* THROTTLE LEVER (F/ Item 3 Type2)	1	PC.

Item No	Type	Ref	Part No	Description	Qty	Unit
218			451593-4	* LOCK LEVER (F/ Item 3 Type2)	1	PC.
219			451594-2	* SWITCH LEVER (F/ Item 3 Type2)	1	PC.
220			451595-0	* SWITCH COVER (F/ Item 3 Type2)	1	PC.
221			451602-9	* CORRUGATE TUBE (F/ Item 3 Type2)	1	PC.
222			638676-9	* LEAD UNIT (F/ Item 3 Type2)	1	PC.
223			638677-7	* LEAD UNIT (F/ Item 3 Type2)	1	PC.
224			451598-4	* LOOP HANDLE 24	1	PC.
225			451599-2	* HANDLE CLAMP 24	1	PC.
226	1		922253-0	H.S.H.BOLT M5X30	4	PC.
226			911253-5	* PAN HEAD SCREW M5X30	4	PC.
227			413143-3	* WASHER (For Item No. 31, #266579-3) (Added) (No image)	2	PC.
228			808723-2	CAUTION LABEL (Added)	1	PC.
E01			808143-0	INDICATION LABEL	1	PC.
E02			819432-8	CAUTION TAG	1	PC.
C01			871215-4	CARTON F/EBH253L	1	PC.

### **ACCESSORIES**

- See catalogue or visit [www.makita.ca](http://www.makita.ca) for more accessories information -

A01			125516-5	BAND ASSEMBLY	1	PC.
A02	1		242072-1	OIL BOTTLE (Old) SE until Feb2011	1	PC.
A02	2		195500-4	OIL SET (4 STROKE ENGINE OIL 80CC) - N/A as repair part	1	PC.
A03			783013-3	BOX DRIVER 16-17	1	PC.
A04	1		783217-7	HEX. WRENCH 5	1	PC.
A04	2		783232-1	HEX. WRENCH 5	1	PC.
A04	3		783217-7	HEX. WRENCH 5	1	PC.
A05	1		783223-2	WRENCH 4	1	PC.
A05	2		783202-0	HEX. WRENCH 4 (OLD# 783223-2)	1	PC.
A06			831304-7	ACCESSORY BAG	1	PC.
A07	1		B-02945	ULTRA AUTO 4Y ASSY LH (PKG)	1	PC.
A07	2		B-05125	ULTRA AUTO 4 M BRAND MHI	1	PC.
A08	1		135361-0	* PROTECTOR EXTENSION ASSY	1	PC.
		INC.	451092-6	PROTECTOR EXTENSION - N/L/A	1	PC.
		INC.		* Item No. 33,186		
	2		135398-7	* PROTECTOR EXTENSION ASSY	1	PC.
		INC.	452258-1	PROTECTOR EXTENSION	1	PC.
		INC.		* Item No. 33,186		
A09			168534-0	SPARK PLUG	1	PC.
A10			444020-8	STARTER ROPE	1	PC.
A11	Opt		B-05131	BUMP&FEED TRIMMER HEAD Z5L, LH	1	PC.
	Opt		B-05022	BUMP&FEED TRIMMER HEAD 5" LH	1	PC.
A12	Opt		B-02945	ULTRA AUTO 4Y ASSY LH (PKG)	1	PC.
A13	Opt		B-02951	TRIMMEDR HEAD, MANUAL (Component parts are not available)	1	PC.
A14			195298-3	9" BRUSHCUTTER BLADE 3-POINT 3T 1"	1	PC.

**SERVICE CHANGES**

**1. Changes on Handle Assy > Loop Handle Set**

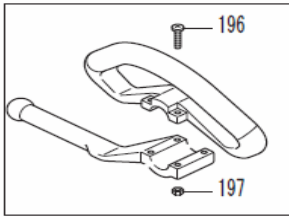
Item No.	Description	Type 1	Type 2	Type 3
1	Handle Assy/ Loop Handle Set	125567-8		195215-3
2	Spacer	450659-7		451601-1
3	Control Lever Assy	125495-7	125759-9	126487-9

Above parts are completely interchangeable as a set.

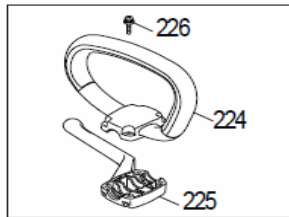
(T/I# 87170A , 87505)

(T/I#A2941)

**Item No.1 Handle Assy/ Loop Handle Assy**

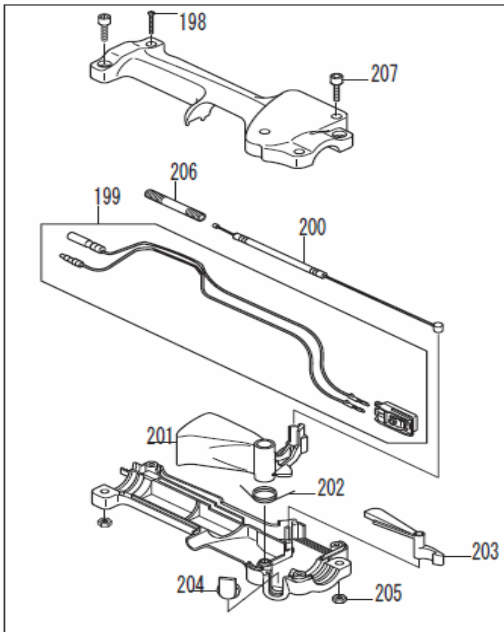


Type1

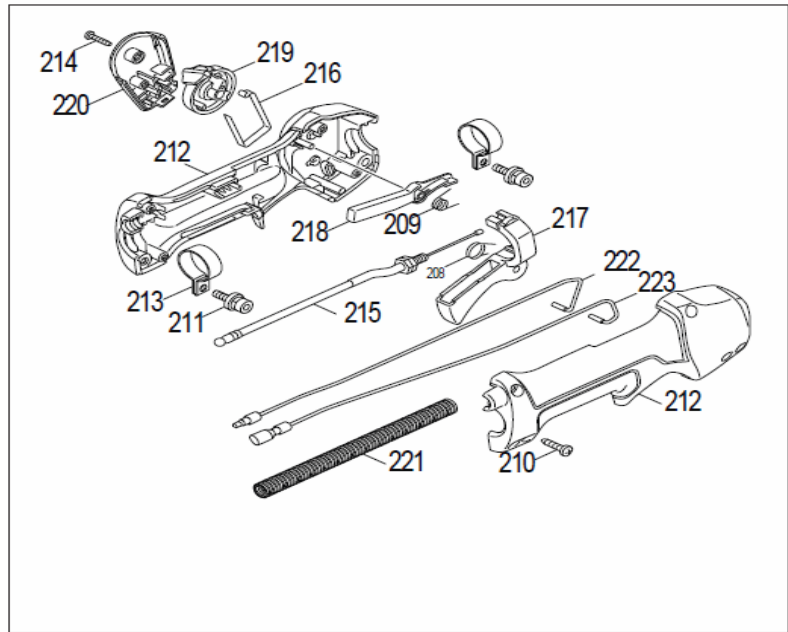


Type2

**Item No. 3 Control Lever Assy**



Type1



Type2

**SERVICE CHANGES**

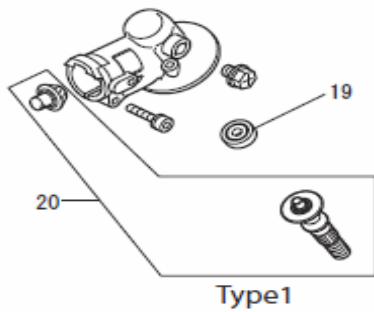
**2. Changes on Cutter Shaft Set**

Item No.	Description	Type 1	Type 2	Type 3
20	Cutter Shaft Set	140039-2	188866-9	188902-1
21	Spiral Bavel Gear 19	227552-8 (N/A)	-----	-----
22	Cutter Shaft	325676-5 (N/A)	-----	-----
19	Ball Bearing 626	211019-6		-----

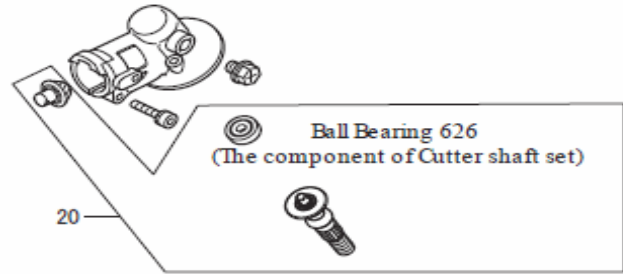
Above parts are completely interchangeable as a set.

(T/I# Y05500, 87587)

**Item No. 20 Cutter Shaft Set**



**Type1**



**Type2**

**3. Changes on Protector Extension Assy**

Item No.	Description	Type 1	Type 2
29	Protector	451098-4	452260-4
A08	Protector Extension Assy	135361-0	135398-7

Above parts are completely interchangeable as a set.

(T/I# 88011)

**4. Changes on H.S.H Bolt M6x30 and addition of washer**

Item No.	Description	Type 1	Type 2
31	H.S.H Bolt M6X30	922353-6	266579-3
227	Washer	-----	266579-3

Above parts are completely interchangeable as a set.

(T/I# 87170)

**5. Changes on Tension Spring In Clutch Assembly**

Item No.	Description (Type 1 >Type 2)	Type 1	Type 2
112	Tension Spring 6 >Tension Spring 7	231858-8	231881-3

(T/I# Y06373)



**Tension spring 6 (231858-8)**  
**Free length: 27 mm**

**Type 1**

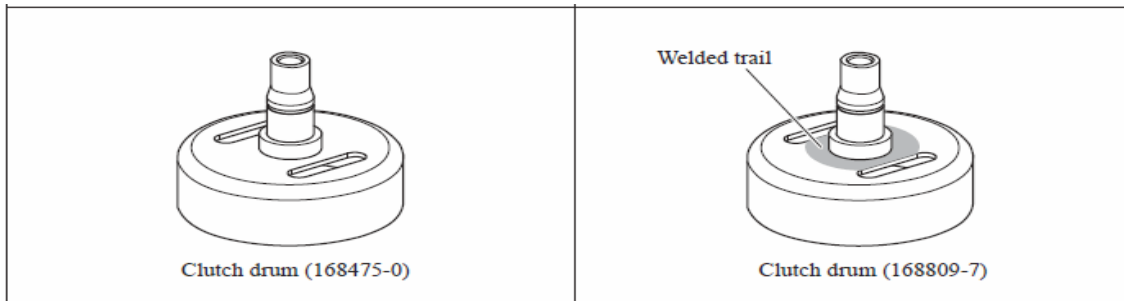


**Tension spring 7 (231881-3)**  
**Free length: 35 mm**

**Type 2**

### 6. Changes on Clutch drum

Item No.	Description	Type 1	Type 2
44	Clutch Drum	168475-0	168809-7 (T/I# 99822)



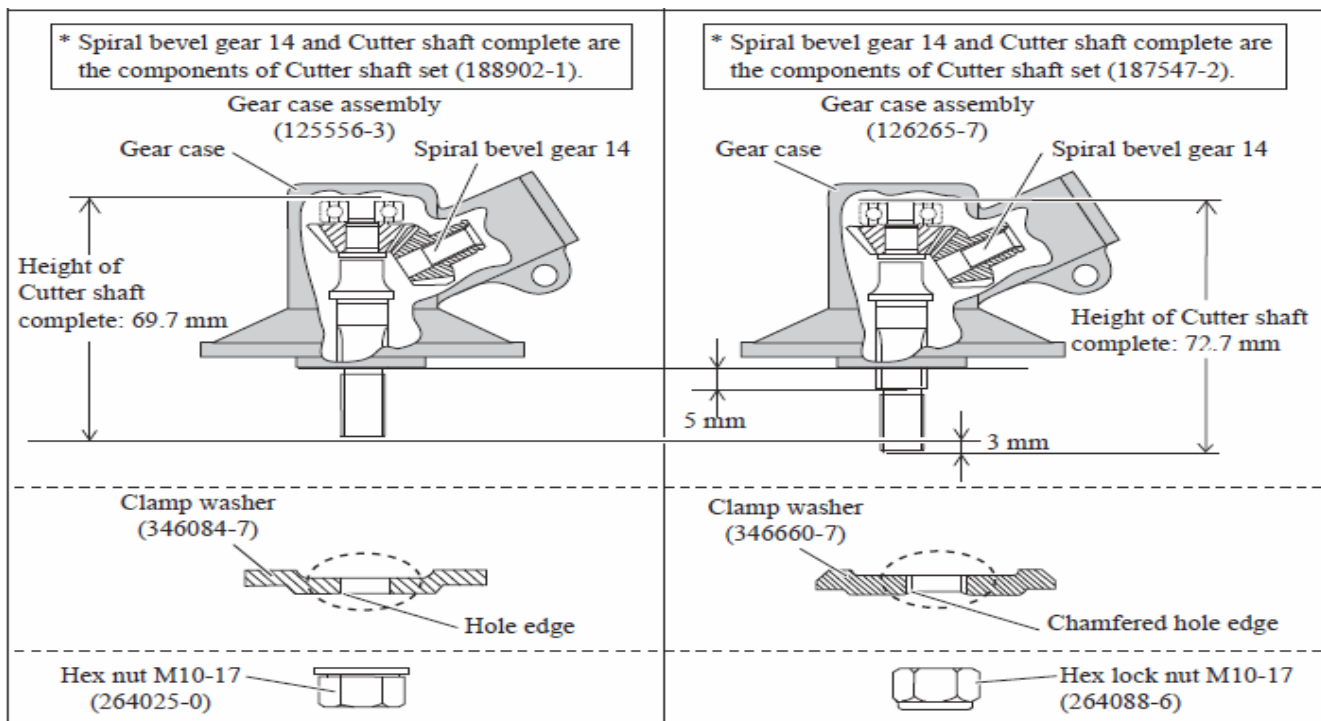
Type 1

Type 2

### 7. Changes on Gear Case Assembly

Item No.	Description	Type 1	Type 2
11	Gear Case Assembly	125556-3	126265-7
20	Cutter Shaft Set	188902-1	187547-2
26	Clamp Washer	346084-7	346660-7
28	Hex Nut M10-17 >Hex Lock Nut M10-17	264025-0	264088-6

(T/I# 97725)



Type 1

Type 2

### 8. Changes on Throttle lever

Item No.	Description	Type 1	Type 2
217	Throttle lever	451592-6	455313-8

(TI#A2941)

