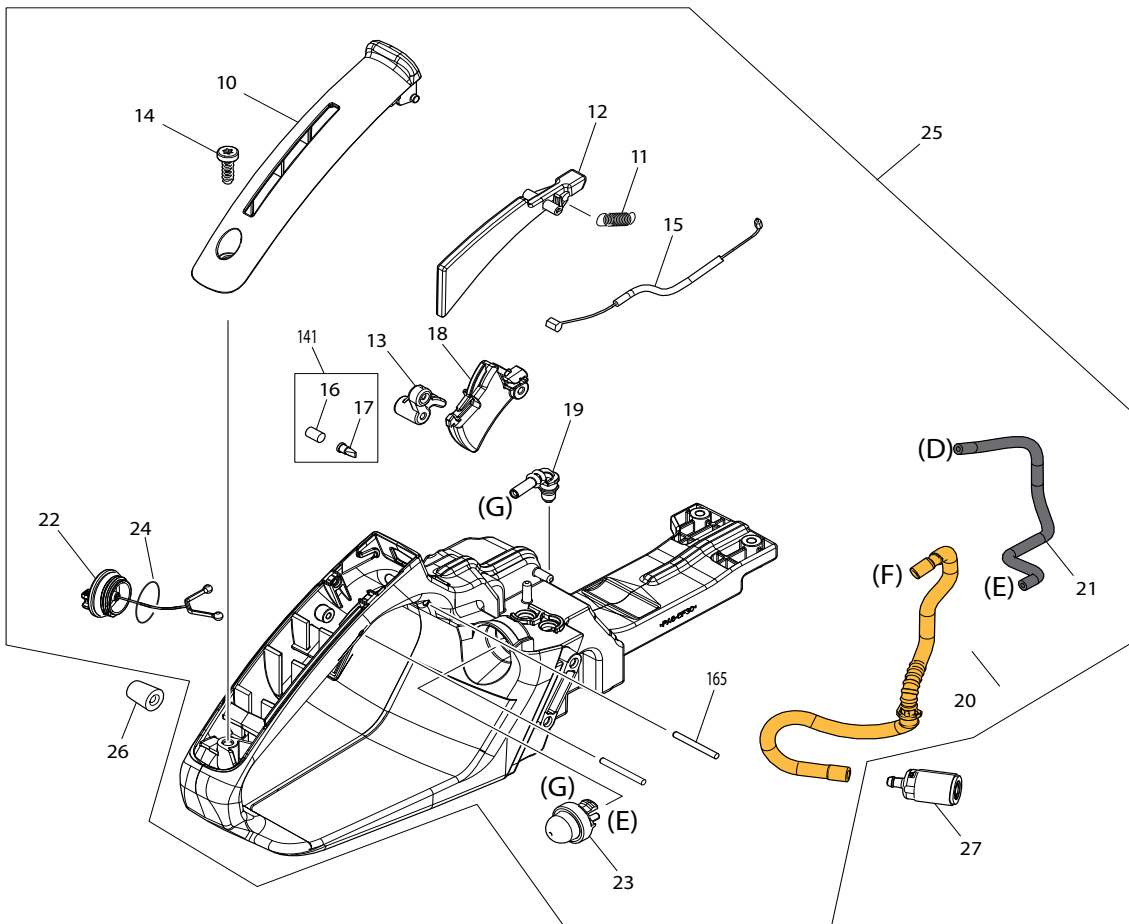
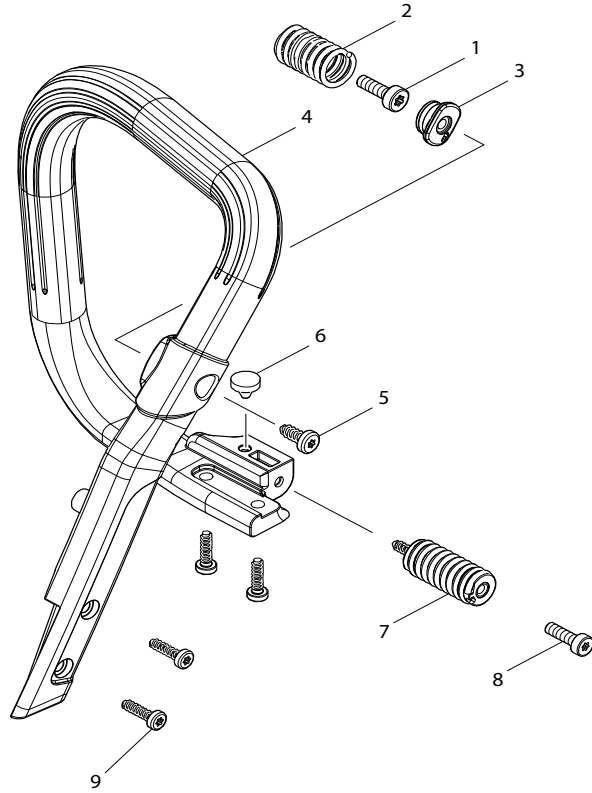


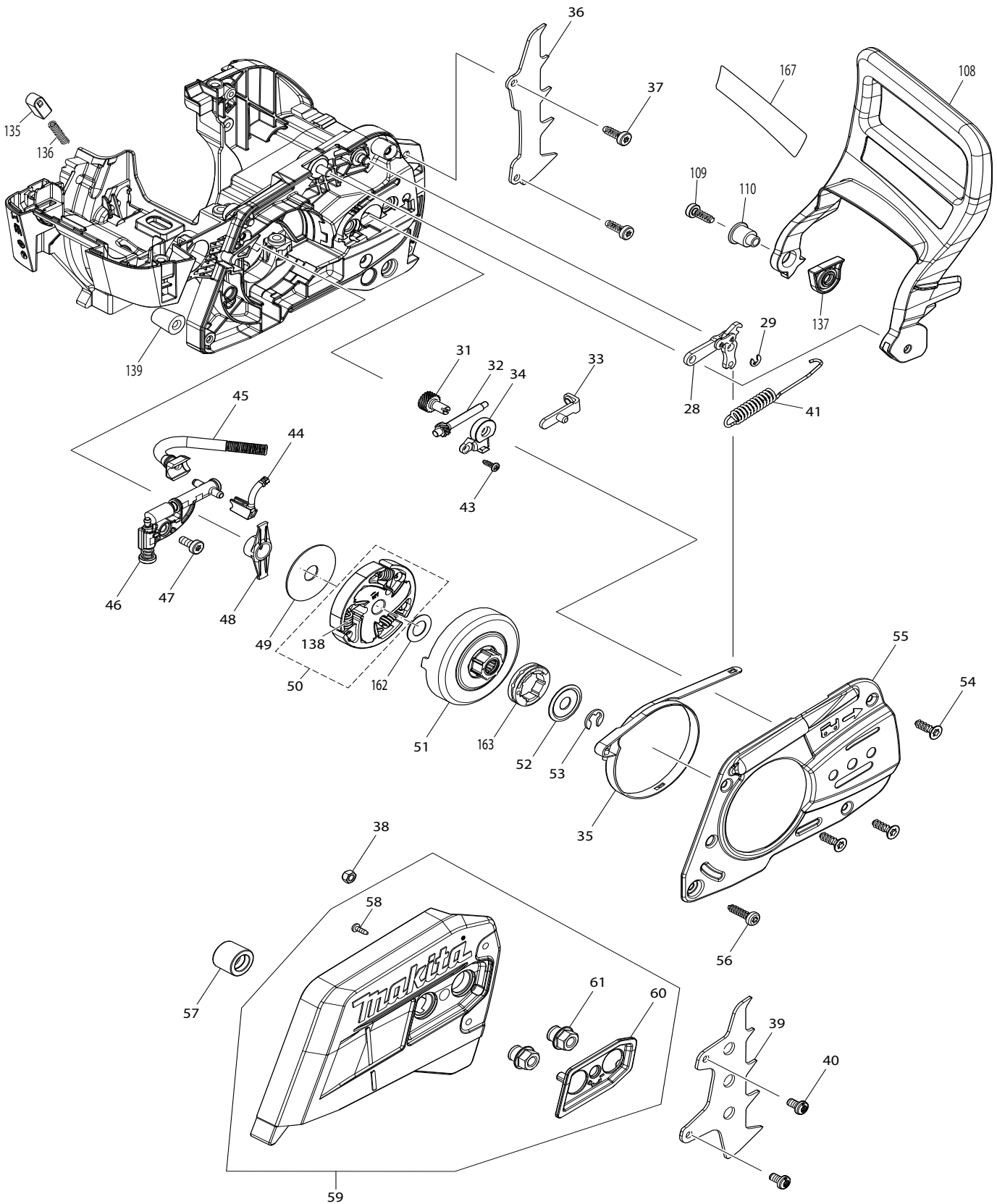


EA5600FR



Products with multiple versions are listed in subsiding order with the newest version on top not indented.

| Section | Fig. No. | Part No. | Description | EA5600FR | Tech Bulletin | Notes |
|---------|----------|-------------|-------------------------------|----------|---------------|-------------------|
| 1 | 1 | 266605-8 | H.L. SOCKET HEAD BOLT M5X16 | 1 | | |
| 1 | 2 | 231898-6 | DAMPING SPRING | 1 | | |
| 1 | 3 | 456373-3 | SPRING HOLDER | 1 | | |
| 1 | 4 | 456379-1 | TUBULAR HANDLE | 1 | | |
| 1 | 5 | 913-467-164 | H.L. TAPPING SCREW 6,7X16 | 1 | | |
| 1 | 6 | 965-402-360 | BUFFER | 1 | | |
| 1 | 7 | 143754-7 | DAMPING SPRING ASSEMBLY | 1 | | |
| 1 | 8 | 908-006-205 | SCREW M6X20 HEX-ROUND SOCKETR | 1 | | |
| 1 | 9 | 913-455-204 | H.L. TAPPING SCREW 5.5X20 | 4 | | |
| 1 | 10 | 131-117-050 | GRIP OUTER SHELL | 1 | | |
| 1 | 11 | 130-117-060 | TENSION SPRING5 | 1 | | |
| 1 | 12 | 038-117-020 | CATCH LEVER | 1 | | |
| 1 | 13 | 038-117-030 | LOCKER | 1 | | |
| 1 | 14 | 266478-9 | H.L. TAPPING SCREW 5.5X16 | 1 | | |
| 1 | 15 | 131-117-040 | BOWDEN CABLE | 1 | | |
| 1 | 16 | 010-175-030 | SINTER INSERT | 1 | | |
| 1 | 17 | 010-175-021 | VALVE | 1 | | |
| 1 | 18 | 130-117-010 | THROTTLE LEVER | 1 | | |
| 1 | 19 | 131-114-340 | FUEL PIPE | 1 | | |
| 1 | 20 | 131-114-310 | FUEL PIPE | 1 | | |
| 1 | 21 | 131-114-090 | TUBE 2.5-169 | 1 | | |
| 1 | 22 | 168507-3 | TANK CAP COMPLETE | 1 | | INC 24 |
| 1 | 23 | 130-153-500 | PRIMER PUMP | 1 | | |
| 1 | 24 | 213080-9 | O-RING 29,3X3,6 | 1 | | |
| 1 | 25 | 131-114-180 | FUEL TANK SET(Red) | 1 | | INC.10-24,141,165 |
| 1 | 26 | 181-111-230 | IMPACT PROTECTOR | 1 | | |
| 1 | 27 | 010-114-200 | SUCTION HEAD | 1 | | |
| 1 | 141 | 195762-4 | AIR VALVE SET | 1 | | INC.16,17 |
| 1 | 165 | 935-930-280 | PIN 3 | 2 | | |

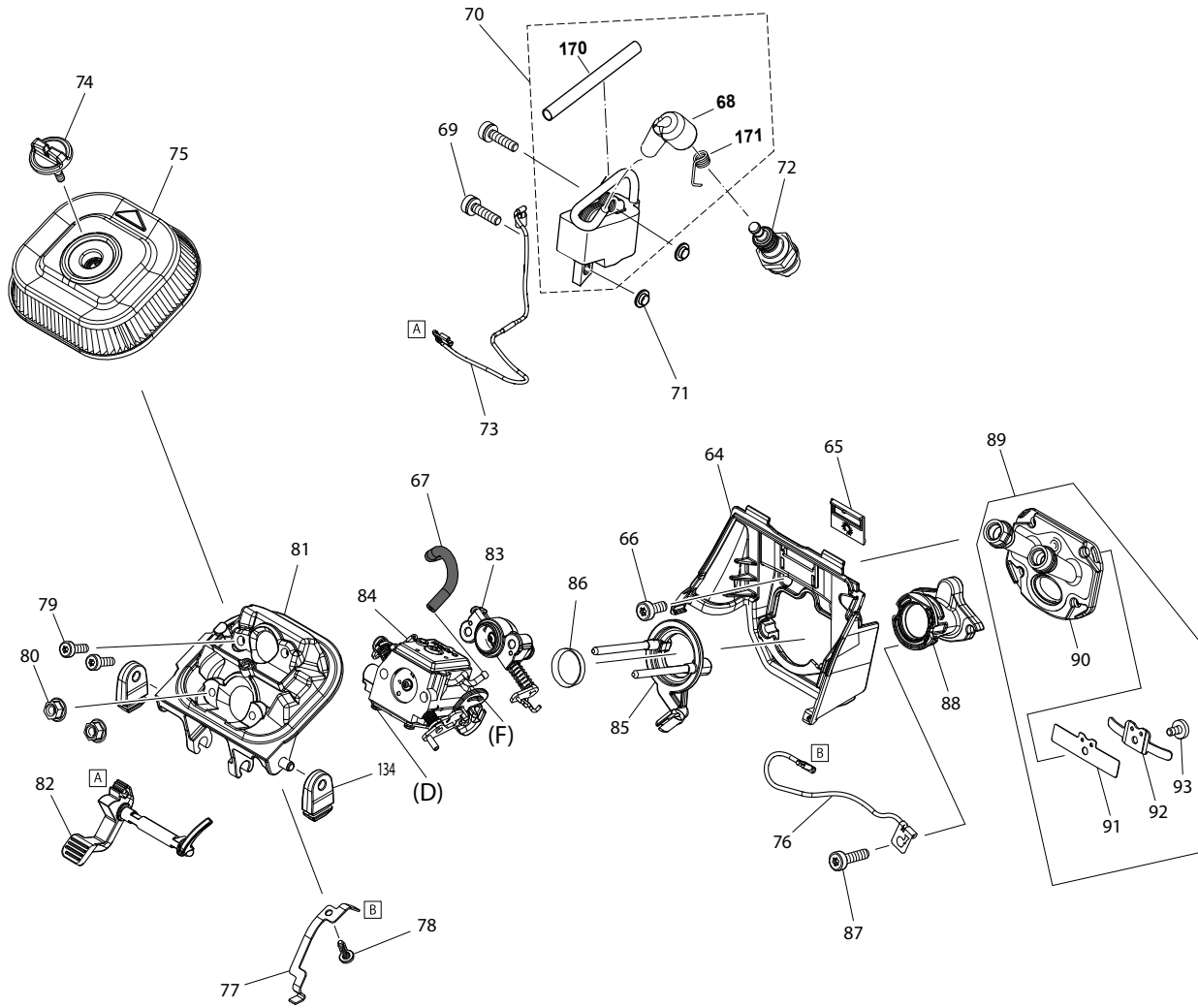


Products with multiple versions are listed in subsiding order with the newest version on top not indented.

| Section | Fig. No. | Part No. | Description | EA5600FR | Tech Bulletin | Notes |
|---------|----------|-------------|------------------------------|----------|---------------|----------------|
| 3 | 28 | 185-213-100 | LINK PLATE COMPLETE | 1 | | |
| 3 | 29 | 961011-9 | STOP RING E-4 | 1 | | |
| 3 | 29 | 257934-0 | STOP RING E-4 | 1 | | |
| 3 | 29 | 927-304-000 | SAFETY WASHER | 1 | | |
| 3 | 31 | 181-213-250 | HELICAL GEAR 18 | 1 | | |
| 3 | 32 | 227743-1 | HELICAL GEAR 11 | 1 | | |
| 3 | 32 | 181-213-230 | TENSIONING SCREW | 1 | | |
| 3 | 33 | 130-213-250 | TENSION SLIDER | 1 | | |
| 3 | 33 | 130-213-240 | TENSION SLIDER | 1 | | |
| 3 | 34 | 452667-4 | GEAR COVER PROFESSIONAL | 1 | | |
| 3 | 35 | 346029-5 | BRAKE BAND | 1 | | |
| 3 | 36 | 130-250-011 | SPIKE BAR | 1 | | |
| 3 | 37 | 266478-9 | H.L. TAPPING SCREW 5.5X16 | 2 | | |
| 3 | 38 | 920-405-000 | HEX NUT M5 | 2 | | |
| 3 | 39 | 326648-3 | SPIKE BAR | 1 | | |
| 3 | 40 | 266850-5 | H.L. SOCKET HEAD BOLT M5X10 | 2 | | |
| 3 | 41 | 181-213-023 | TENSION SPRING | 1 | | |
| 3 | 43 | 266421-8 | TAPPING SCREW 3X10 | 1 | | |
| 3 | 44 | 424178-9 | OIL TUBE | 1 | | |
| 3 | 45 | 144274-4 | TUBE COMPLETE | 1 | | |
| 3 | 46 | 161346-0 | OIL PUMP COMPLETE | 1 | | |
| 3 | 47 | 908-705-125 | H.L SOCKET HEAD BOLT M5X12 | 1 | | |
| 3 | 48 | 450956-1 | PUMP DRIVE | 1 | | |
| 3 | 49 | 001-182-042 | FLAT WASHER 12 | 1 | | |
| 3 | 50 | 181-180-300 | CLUTCH ASSEMBLY | 1 | | INC 168 |
| 3 | 51 | 181-223-200 | CLUTCH DRUM CPL | 1 | | |
| 3 | 52 | 267820-7 | CUP WASHER29 | 1 | | |
| 3 | 53 | 259045-7 | LOCK WASHER | 1 | | |
| 3 | 54 | 913-850-155 | H.L. TAPPING SREW 5X15 | 3 | | |
| 3 | 55 | 326647-5 | CHAIN BREAK COVER | 1 | | |
| 3 | 56 | 913-455-204 | TAPPING SCREW TORX 5.5X20 | 1 | | |
| 3 | 57 | 456378-3 | CHAIN CATCHER | 1 | | |
| 3 | 58 | 266421-8 | TAPPING SCREW 3X10 | 2 | | |
| 3 | 59 | 131-213-640 | SPROCKET GUARD ASSEMBLY(Red) | 1 | | INC.58, 60, 61 |

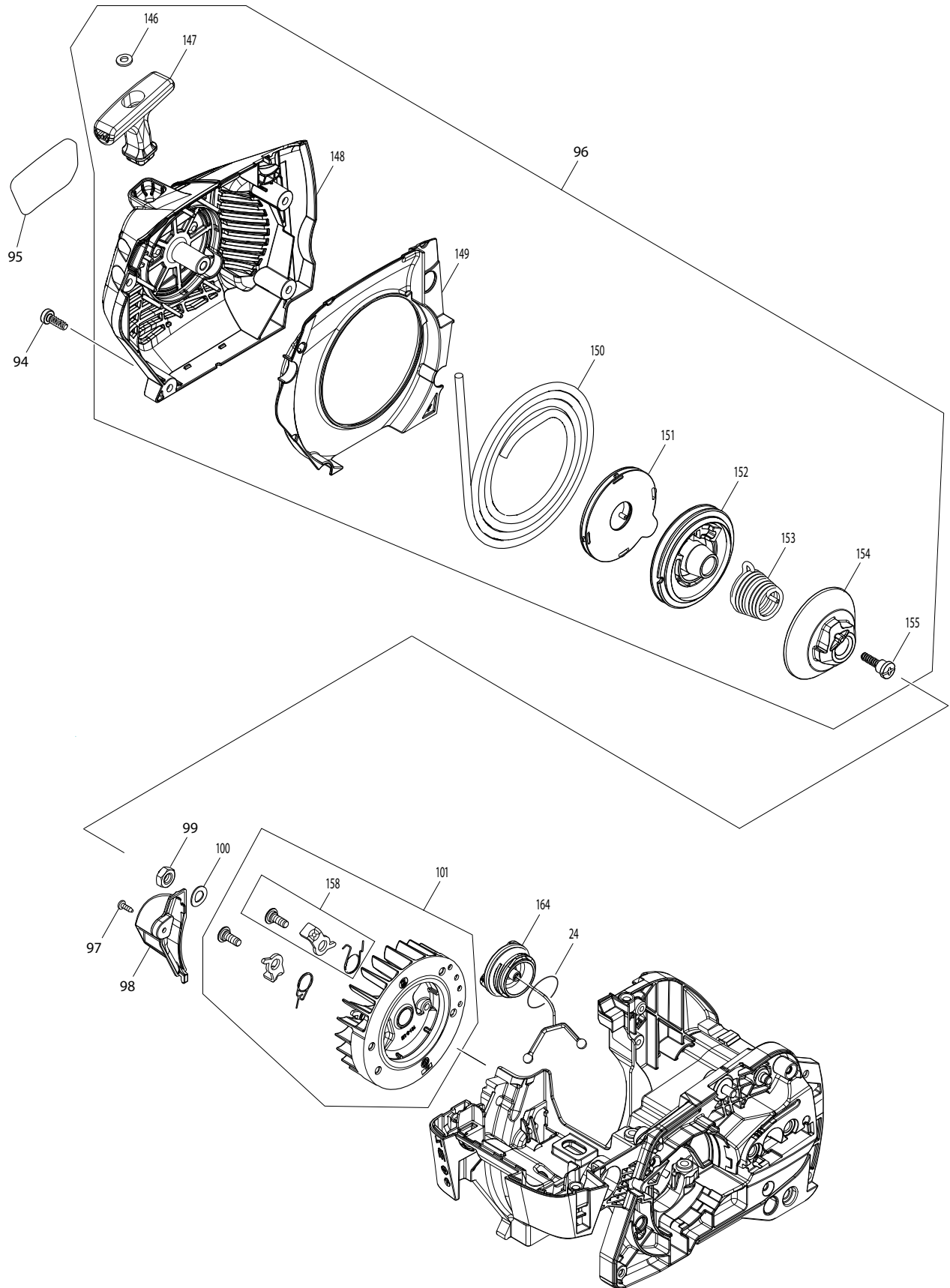
Products with multiple versions are listed in subsiding order with the newest version on top not indented.

| Section | Fig. No. | Part No. | Description | EA5600FR | Tech Bulletin | Notes |
|---------|----------|-------------|---------------------------|----------|---------------|-------|
| 3 | 60 | 456674-9 | NUT COVER | 1 | | |
| 3 | 61 | 144689-5 | FLANGE NUT COMPLETE | 2 | | |
| 3 | 108 | 131-213-050 | HAND GUARD | 1 | | |
| 3 | 109 | 266478-9 | H.L. TAPPING SCREW 5.5X16 | 1 | | |
| 3 | 110 | 326676-8 | BUSH 10 | 1 | | |
| 3 | 135 | 313212-9 | HAND GUARD GUIDE | 1 | | |
| 3 | 136 | 181-213-060 | COMPRESSION SPRING 3 | 1 | | |
| 3 | 137 | 456613-9 | SPACER | 1 | | |
| 3 | 138 | 181-184-020 | TENSION SPRING6 | 3 | | |
| 3 | 139 | 181-111-230 | IMPACT PROTECTOR | 1 | | |
| 3 | 162 | 181-224-090 | FLAT WASHER 10 | 1 | | |
| 3 | 163 | 026-224-010 | RIM SPROCKET 3/8" | 1 | | |
| 3 | 167 | 810449-4 | CAUTION LABEL | 1 | | |



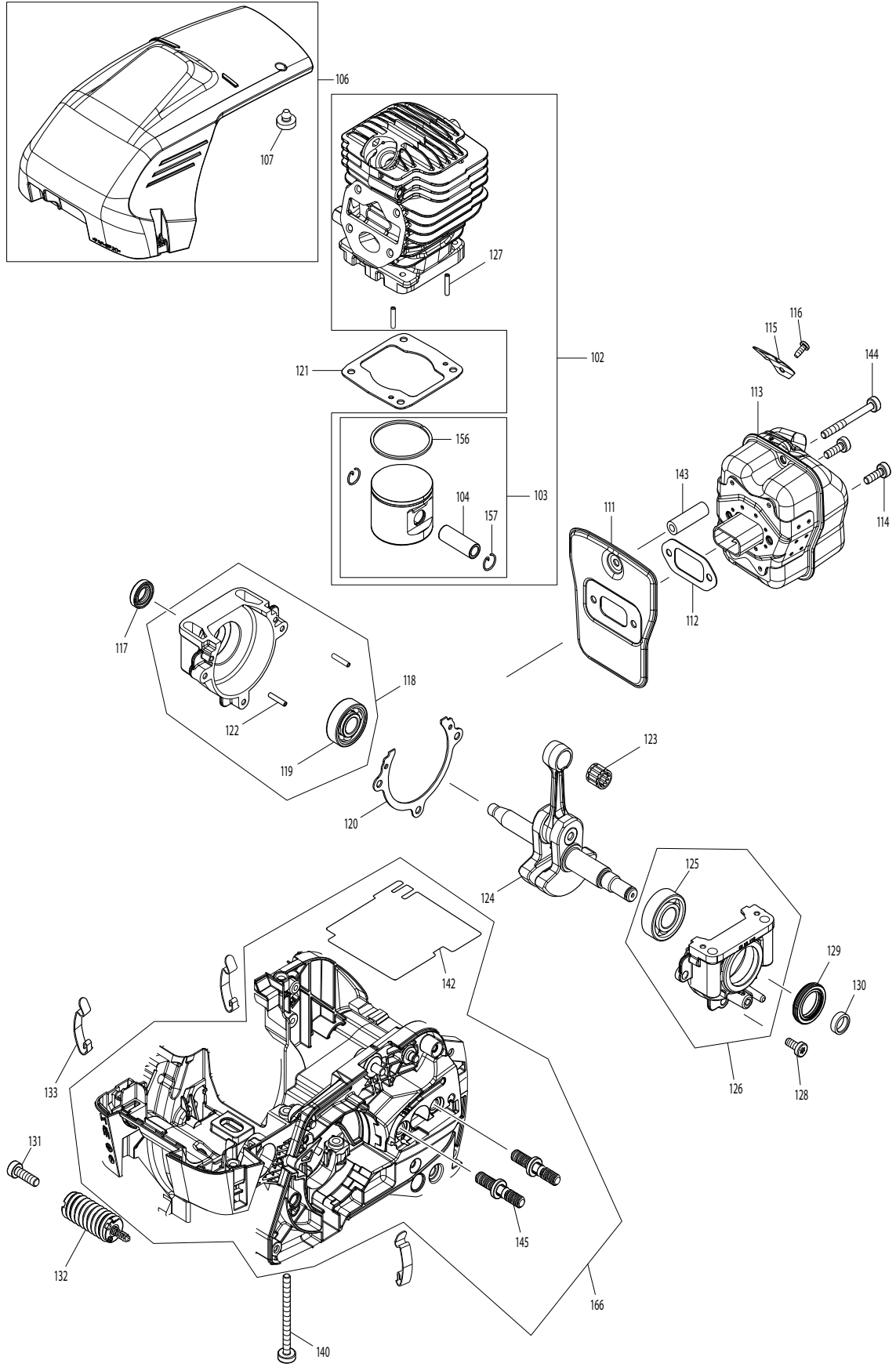
Products with multiple versions are listed in subsiding order with the newest version on top not indented.

| Section | Fig. No. | Part No. | Description | EA5600FR | Tech Bulletin | Notes |
|---------|----------|-------------|--------------------------------|----------|---------------|------------------|
| 2 | 64 | 131-131-080 | INTERMEDIATE FLANGE | 1 | | |
| 2 | 65 | 195-118-141 | SHUTTER PLATE | 1 | | |
| 2 | 66 | 908-005-125 | H. L. SOCKET HEAD BOLT M5X12 | 2 | | |
| 2 | 67 | 131-114-080 | TUBE 2.5-64 | 1 | | |
| 2 | 68 | 125-143-011 | PLUG CAP | 1 | | |
| 2 | 69 | 908-805-205 | SCREW M5X20 WITH SPRING WASHER | 2 | | |
| 2 | 70 | 131-140-100 | IGNITION COIL COMPLETE | 1 | | INC 68, 170, 171 |
| 2 | 71 | 195-143-031 | ISOLATING WASHER | 2 | | |
| 2 | 72 | 965-603-021 | SPARK PLUG | 1 | | |
| 2 | 73 | 632F91-5 | LEAD UNIT | 1 | | |
| 2 | 74 | 265791-2 | THUMP SCREW M4 | 1 | | |
| 2 | 75 | 131-173-010 | AIR FILTER | 1 | | |
| 2 | 76 | 632F92-3 | LEAD UNIT | 1 | | |
| 2 | 77 | 131-155-010 | CONTACT SPRING | 1 | | |
| 2 | 78 | 266421-8 | TAPPING SCREW 3X10 | 1 | | |
| 2 | 79 | 266476-3 | TORX SOCKET HEAD BOLT M5X20 | 2 | | |
| 2 | 80 | 175-131-300 | HEXAGONAL NUT WITH COLLAR | 2 | | |
| 2 | 81 | 456376-7 | INTAKE MANIFOLD | 1 | | |
| 2 | 82 | 456375-9 | CHOKE LEVER | 1 | | |
| 2 | 83 | 131-151-700 | AIR FLAP ASSEMBLY | 1 | | |
| 2 | 84 | 131-151-100 | CARBURETOR | 1 | | |
| 2 | 85 | 131-131-070 | FLANGE RING | 1 | | |
| 2 | 86 | 131-131-090 | SLEEVE 19 | 1 | | |
| 2 | 87 | 266476-3 | TORX SOCKET HEAD BOLT M5X20 | 2 | | |
| 2 | 88 | 131-131-050 | SUCTION HOSE | 1 | | INC. 90-93 |
| 2 | 89 | 131-131-160 | AIR HOSE COMPLETE | 1 | | |
| 2 | 90 | 131-131-030 | AIR HOSE | 1 | | |
| 2 | 91 | 131-179-020 | REED VALVE | 1 | | |
| 2 | 92 | 131-179-010 | VALVE STOPPER | 1 | | |
| 2 | 93 | 908-004-085 | H.L SOCKET HEAD BOLT M4X8 | 1 | | |
| 2 | 134 | 424806-6 | INTAKE MANIFOLD DAMPER | 2 | | |
| 2 | 170 | 131-143-040 | INSULATING TUBE 6-90 | 1 | | |
| 2 | 171 | 326210-4 | TERMINAL SPRING | 1 | | |



Products with multiple versions are listed in subsiding order with the newest version on top not indented.

| Section | Fig. No. | Part No. | Description | EA5600FR | Tech Bulletin | Notes |
|---------|----------|-------------|-------------------------------|----------|---------------|--------------|
| 4 | 24 | 213080-9 | O-RING 29,3X3,6 | 1 | | |
| 4 | 94 | 266478-9 | H.L. TAPPING SCREW 5.5X16 | 4 | | |
| 4 | 95 | 131-115-620 | EA5600F MODEL NO LABEL | 1 | | |
| 4 | 96 | 131-160-100 | RECOIL STARTER ASSEMBLY (Red) | 1 | | INC. 146-155 |
| 4 | 97 | 266421-8 | TAPPING SCREW 3X10 | 1 | | |
| 4 | 98 | 456377-5 | AIR DUCT | 1 | | |
| 4 | 99 | 920-308-024 | HEX. NUT M8 | 1 | | |
| 4 | 100 | 267822-3 | SPRING WASHER 8 | 1 | | |
| 4 | 101 | 143331-5 | FLYWHEEL CPL. | 1 | | INC.158 |
| 4 | 146 | 928-405-000 | SPRING WASHER5 | 1 | | |
| 4 | 147 | 181-164-010 | STARTER GRIP | 1 | | |
| 4 | 148 | 131-160-160 | STARTER HOUSING COMPLETE | 1 | | |
| 4 | 149 | 131-118-040 | AIR GUIDE PLATE | 1 | | |
| 4 | 150 | 131-164-020 | STARTER ROPE □D=3,5 L=103cm | 1 | | |
| 4 | 151 | 181-163-050 | RETURN SPRING CPL. | 1 | | |
| 4 | 152 | 181-162-020 | CABLE DRUM | 1 | | |
| 4 | 153 | 181-163-080 | SPRING EASY START | 1 | | |
| 4 | 154 | 181-163-090 | DRIVER FOR EASY START | 1 | | |
| 4 | 155 | 181-163-095 | SCREW | 1 | | |
| 4 | 158 | 181-166-100 | STARTER RACHET COMPLETE | 2 | | |
| 4 | 164 | 168507-3 | TANK CAP COMPLETE | 1 | | INC 24 |



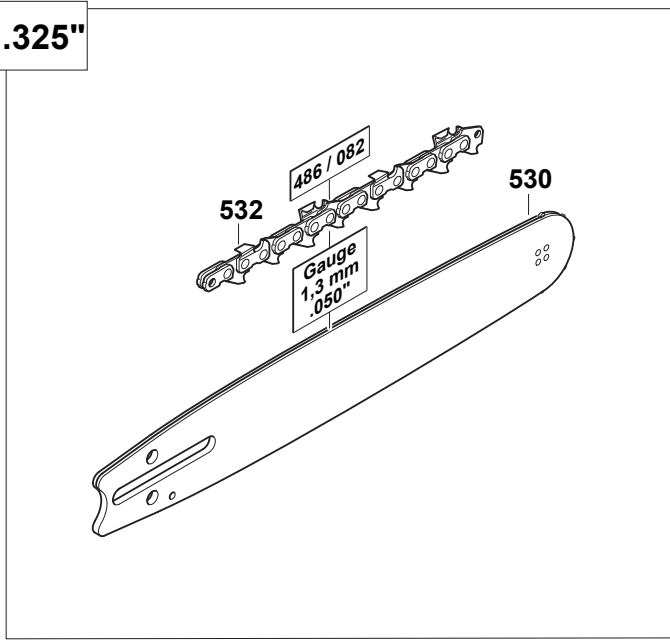
Products with multiple versions are listed in subsiding order with the newest version on top not indented.

| Section | Fig. No. | Part No. | Description | EA5600FR | Tech Bulletin | Notes |
|---------|----------|-------------|-----------------------------|----------|---------------|--------------------|
| 5 | 102 | 131-131-200 | CYLINDER PISTON SET | 1 | | INC. 103,127 |
| 5 | 103 | 131-132-100 | PISTON SET | 1 | | INC. 104, 156, 157 |
| 5 | 104 | 131-132-030 | PISTON PIN | 1 | | |
| 5 | 106 | 131-118-600 | HOOD SET | 1 | | INC.107 |
| 5 | 107 | 965-402-360 | BUFFER | 1 | | |
| 5 | 111 | 131-174-090 | COOLING PLATE | 1 | | |
| 5 | 112 | 395-174-120 | MUFFLER GASKET | 1 | | |
| 5 | 113 | 131-174-100 | MUFFLER COMPLETE | 1 | | |
| 5 | 114 | 266605-8 | H.L.SOCKET HEAD BOLT M5X16 | 2 | | |
| 5 | 115 | 131-174-040 | SPARK ARRESTER | 1 | | |
| 5 | 116 | 914-535-105 | SCREW□3.5X9.5 | 1 | | |
| 5 | 117 | 962-900-156 | OIL SEAL 12 | 1 | | |
| 5 | 118 | 131-111-100 | CRANKCASE MS COMPLETE | 1 | | INC.119, 122 |
| 5 | 119 | 960-102-121 | BALL BEARING | 1 | | |
| 5 | 120 | 131-111-060 | CRANKCASE GASKET | 1 | | |
| 5 | 121 | 131-131-020 | CYLINDER-BASE GASKET | 1 | | |
| 5 | 122 | 936-430-160 | ROLL PIN 3-16 | 2 | | |
| 5 | 123 | 962-210-111 | NEEDLE CAGE | 1 | | |
| 5 | 124 | 131-120-100 | CRANKSHAFT COMPLETE | 1 | | |
| 5 | 125 | 960-102-152 | BALL BEARING 6202 | 1 | | |
| 5 | 126 | 131-111-111 | CRANKCASE CS COMPLETE | 1 | | INC.125 |
| 5 | 127 | 936-430-160 | ROLL PIN 3-16 | 2 | | |
| 5 | 128 | 908-705-165 | H.L. SOCKET HEAD BOLT M5X16 | 3 | | |
| 5 | 129 | 962-900-160 | OIL SEAL 20 | 1 | | |
| 5 | 130 | 326658-0 | SLEEVE 15 | 1 | | |
| 5 | 131 | 908-006-205 | TORX SOCKET HEAD BOLT M6X20 | 1 | | |
| 5 | 132 | 143754-7 | DAMPING SPRING ASSEMBLY | 1 | | |
| 5 | 133 | 130-118-070 | CLAMP | 3 | | |
| 5 | 140 | 914-105-656 | H.L. SOCKET HEAD BOLT M5X65 | 4 | | |
| 5 | 142 | 131-111-080 | HEAT PROTECTION FOIL | 1 | | |
| 5 | 143 | 327008-2 | SLEEVE 5 | 2 | | |
| 5 | 144 | 908-605-505 | H.L. SOCKET HEAD BOLT M5X50 | 1 | | |
| 5 | 145 | 905-708-215 | BOLT | 2 | | |

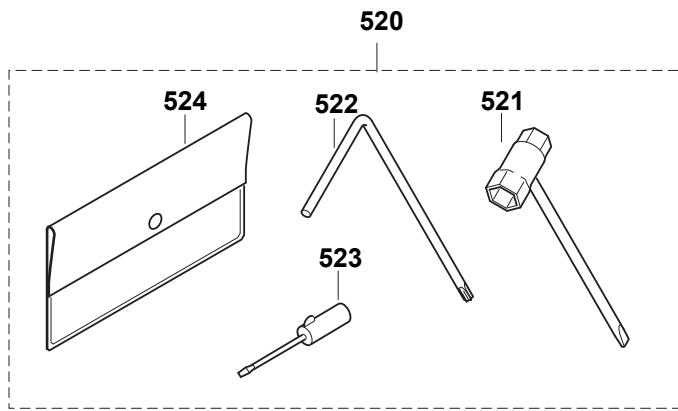
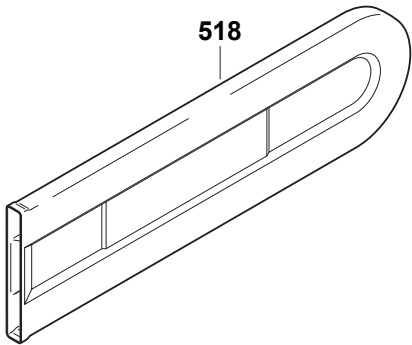
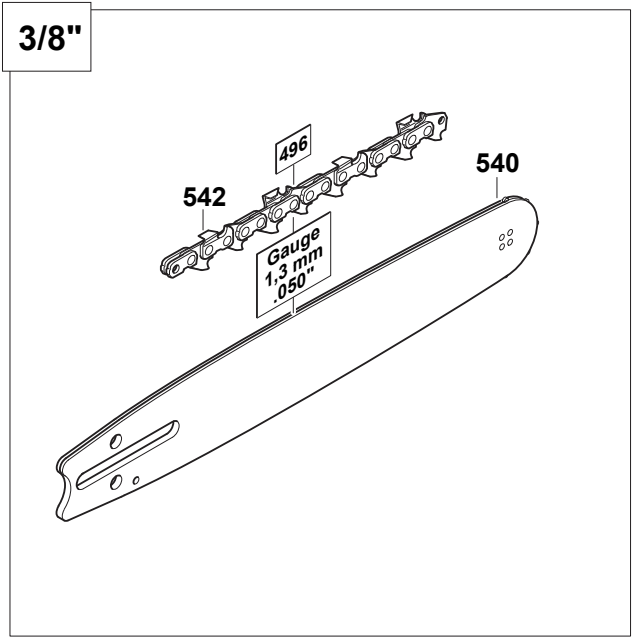
Products with multiple versions are listed in subsiding order with the newest version on top not indented.

| Section | Fig. No. | Part No. | Description | EA5600FR | Tech Bulletin | Notes |
|---------|----------|-------------|------------------------------|----------|---------------|---------------|
| 5 | 156 | 181-132-080 | PISTON RING D45 | 1 | | |
| 5 | 157 | 315-132-140 | SPRING RING | 2 | | |
| 5 | 166 | 131-110-150 | ENGINE HOUSING ASSEMBLY(Red) | 1 | | INC. 142, 145 |

.325"



3/8"



Products with multiple versions are listed in subsiding order with the newest version on top not indented.

| Section | Fig. No. | Part No. | Description | EA5600FR | Tech Bulletin | Notes |
|---------|----------|--------------|-------------------------|----------|---------------|-------|
| 6 | 518 | 952-020-650 | 20" BAR COVER | 1 | | |
| 6 | 520 | 957-004-002 | TOOL KIT | 1 | | |
| 6 | 521 | 941-719-141 | WRENCH | 1 | | |
| 6 | 522 | 782025-3 | TORX WRENCH | 1 | | |
| 6 | 523 | 783012-5 | SCREW DRIVER | 1 | | |
| 6 | 524 | 950-004-002 | PLASTIC BAG | 1 | | |
| 6 | 530 | 415-045-641 | 18" GUIDE BAR .325 .050 | 1 | | |
| 6 | 532 | 528-086-672 | 18" SAW CHAIN .325 .050 | 1 | | |
| 6 | 540 | 443-053-661 | 20" GUIDE BAR 3/8 .050 | 1 | | |
| 6 | 542 | 523-102-072A | 20" SAW CHAIN 3/8 .050 | 1 | | |