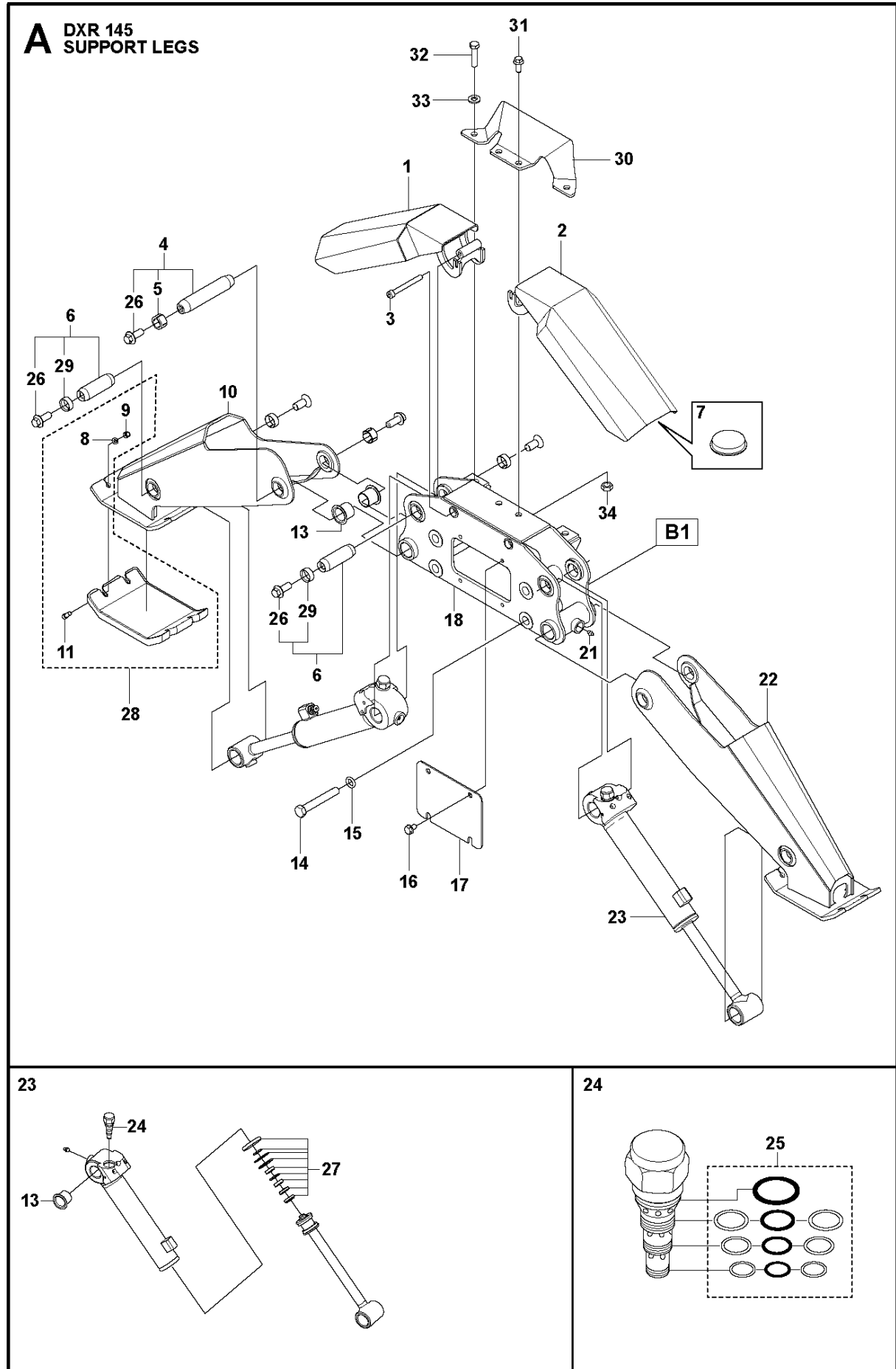




SPARE PARTS LIST

DEMOLITION ROBOTS

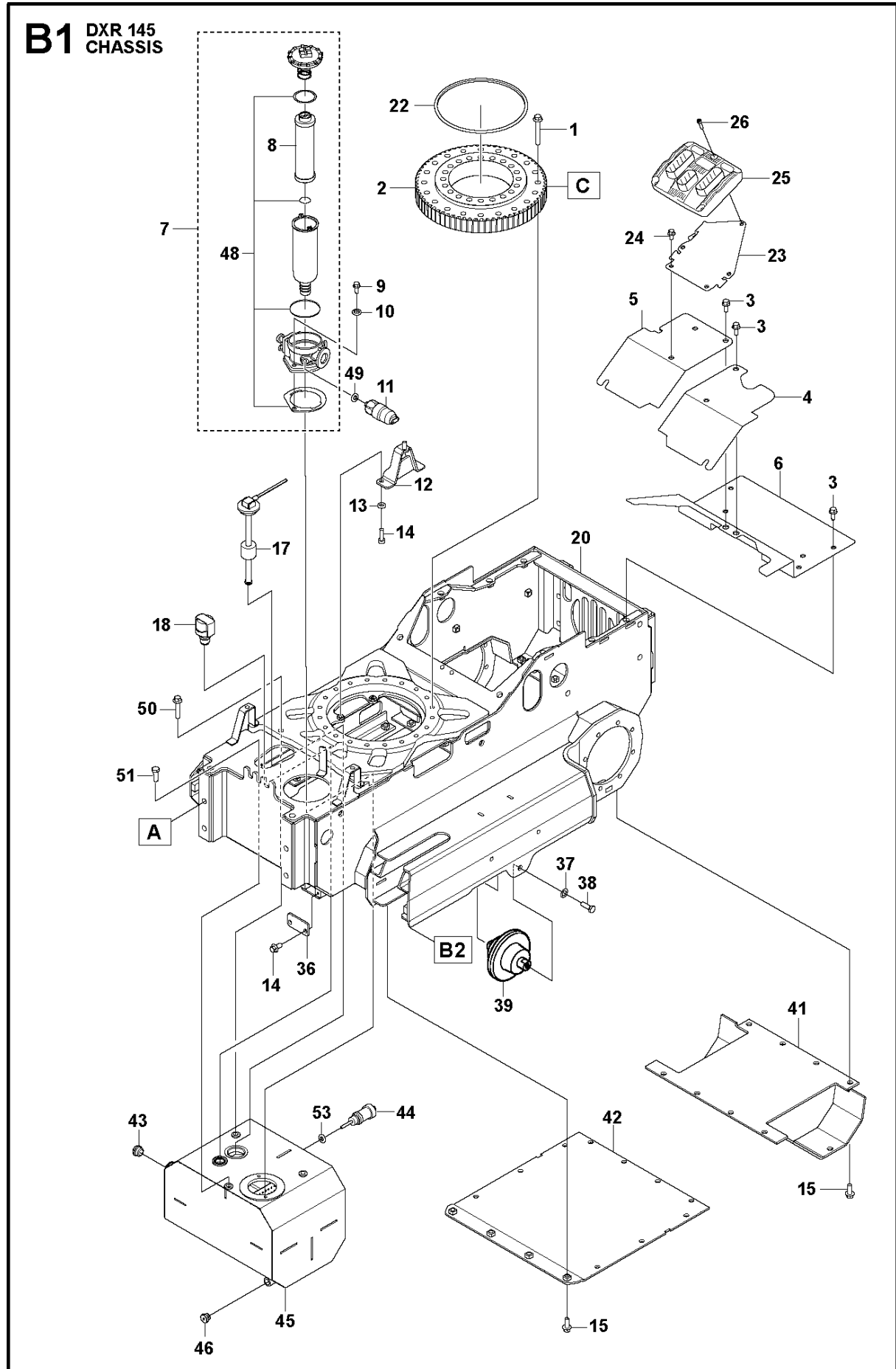
DXR 145, 2021-11



SUPPORT LEGS

DXR 145, 2021-11

Ref	Part No	Description	Remark	QTY	KIT
1	575 43 35-01	COVER		2	
2	575 43 36-01	COVER		2	
3	725 55 09-55	SCREW IHSCM		4	
4	525 80 38-01	SHAFT		4	
5	529 29 92-01	SLEEVE		8	4
6	586 11 98-01	SHAFT		4	
7	589 34 70-01	DAMPER		8	
8	522 67 17-01	WASHER		16	28
9	522 66 95-01	LOCK NUT		16	28
10	529 27 36-01	SUPPORT LEG		2	
11	522 66 72-02	SCREW IHSCM		16	28
13	525 80 24-01	BEARING BUSH		8	23
14	575 29 32-01	SCREW EHHM		8	
15	522 67 19-01	WASHER		8	
16	522 70 66-01	SCREW EHHFM		4	
17	575 65 98-01	PLATE		1	
18	575 48 77-01	BRACKET	REAR	1	
18	575 48 75-01	BRACKET	FRONT	1	
21	504 89 53-01	LUBRICATION NIPPLE		2	23
22	529 27 35-01	SUPPORT LEG		2	
23	599 78 16-01	HYDRAULIC CYLINDER		4	
24	576 37 88-01	VALVE		4	23
25	599 27 36-01	SEAL KIT		4	23, 24
26	525 87 35-01	SCREW EHHFM		24	4, 6
27	575 76 20-01	SEAL		4	23
28	587 18 63-02	FOOTPLATE		1	
29	586 15 94-01	SLEEVE		16	6
30	583 83 41-01	PROTECTION		1	
31	574 25 89-01	SCREW EHHFM		2	
32	525 61 80-01	SCREW EHHM		2	
33	525 39 55-01	WASHER		4	
34	731 71 20-51	HEXAGON NUT FLANGE		2	

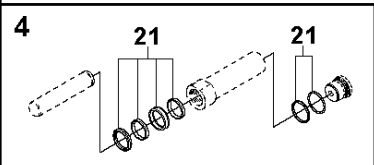
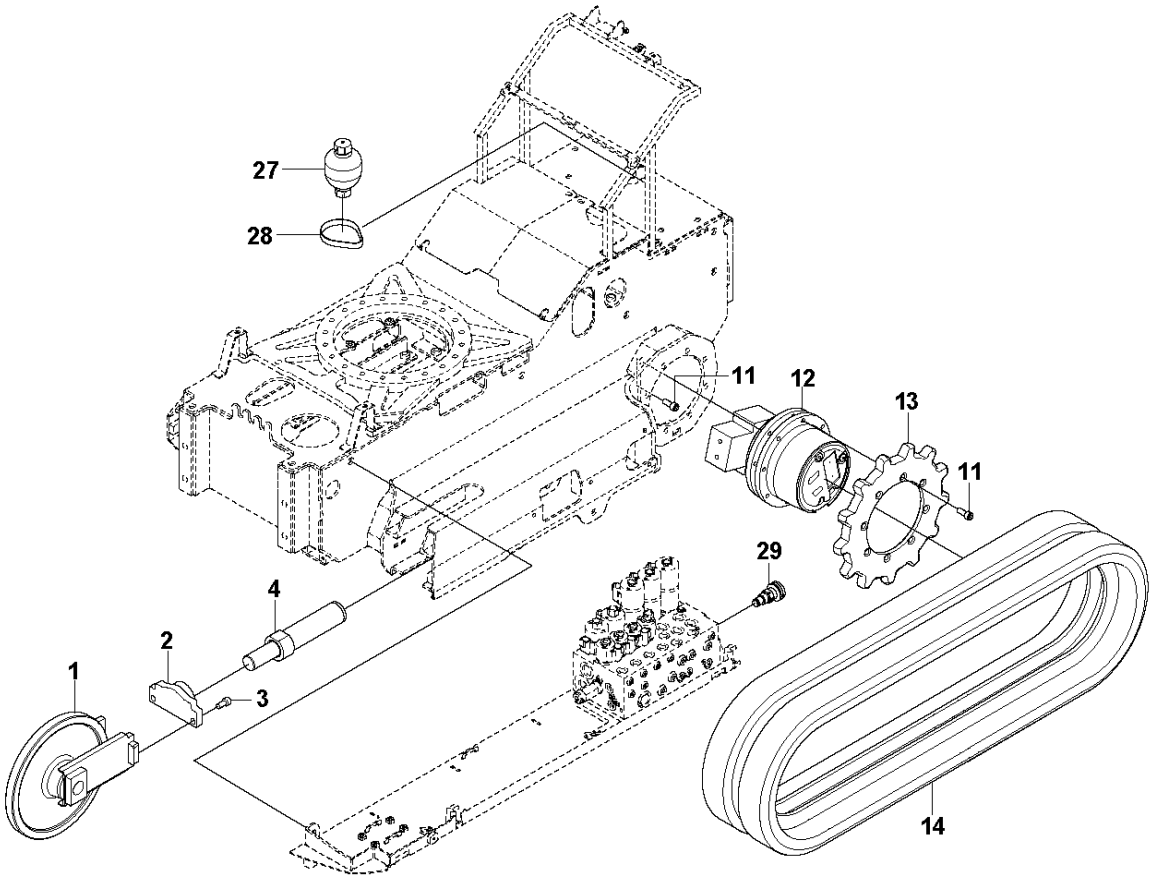
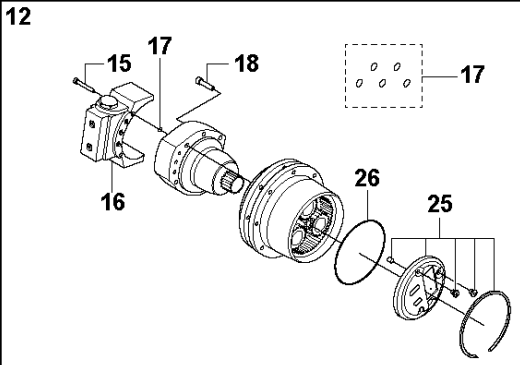


CHASSIS

DXR 145, 2021-11

Ref	Part No	Description	Remark	QTY	KIT
1	575 28 66-01	SCREW EHHM		20	
2	525 75 61-01	BEARING		1	
3	574 25 89-01	SCREW EHHFM		6	
4	599 67 41-01	LID		1	
5	599 67 40-01	LID		1	
6	529 29 15-01	COVER		1	
7	576 38 86-01	KIT		1	
8	573 95 16-01	FILTER		1	7
9	725 54 53-01	SCREW IHSCM		2	
10	502 40 71-03	WASHER		2	
11	510 14 17-01	SWITCH		1	
12	578 31 01-01	BRACKET		1	
13	576 74 41-01	WASHER		2	
14	725 54 55-55	SCREW IHSCM		2	
17	573 95 18-01	LEVEL GLASS		1	
18	505 29 06-01	AIR FILTER		1	
20	583 96 43-01	MAIN BODY		1	
20	579 67 34-01	MAIN BODY		1	
22	590 17 66-01	SEAL KIT		1	
23	599 63 27-01	BRACKET		1	
24	522 70 71-02	SCREW EHHFM		3	
25	599 22 33-01	CONTROL UNIT	Slave module - Chassis	1	
26	725 53 74-01	SCREW IHSCM		3	
36	575 84 94-01	COVER		1	
37	510 24 36-01	WASHER		4	
38	574 25 59-01	SCREW EHHM		4	
39	505 26 86-01	SUPPORT ROLLER		2	
41	529 28 64-01	PLATE		1	
42	529 28 99-01	PLATE		1	
43	574 71 40-01	INDICATOR		1	
44	510 19 58-02	GAUGE		1	
45	582 79 24-01	HYDRAULIC TANK		1	
46	589 02 17-01	PLUG		1	
48	590 13 69-01	SEAL KIT		1	7
49	502 40 71-01	WASHER		1	
50	575 65 09-01	SCREW EHHFM		2	
51	574 25 11-01	SCREW EHHFM		6	
53	501 72 09-03	WASHER		1	
15	522 70 66-01	SCREW EHHFM		22	

B2 DXR 145
TRACK SYSTEM

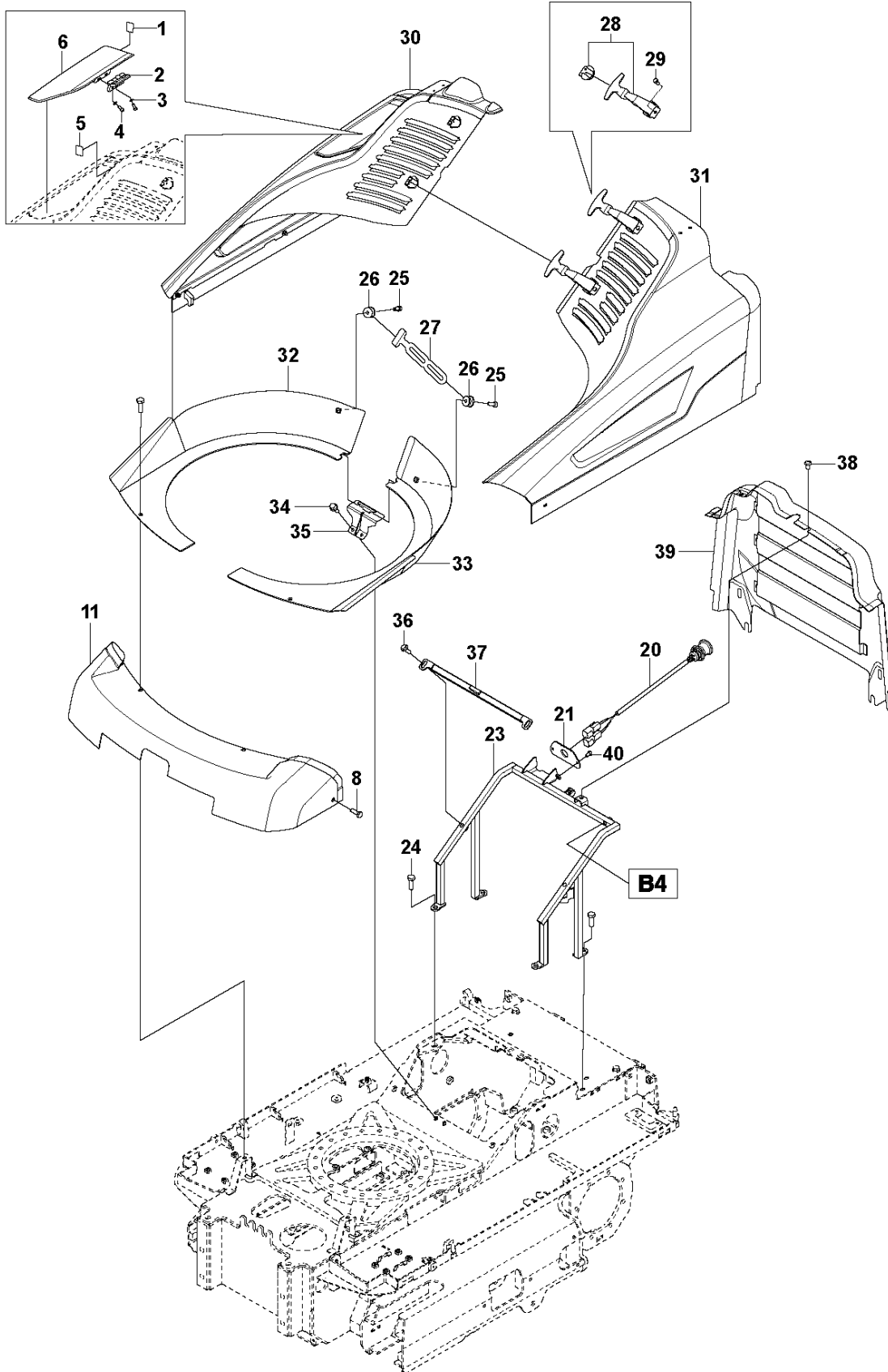


TRACK SYSTEM

DXR 145, 2021-11

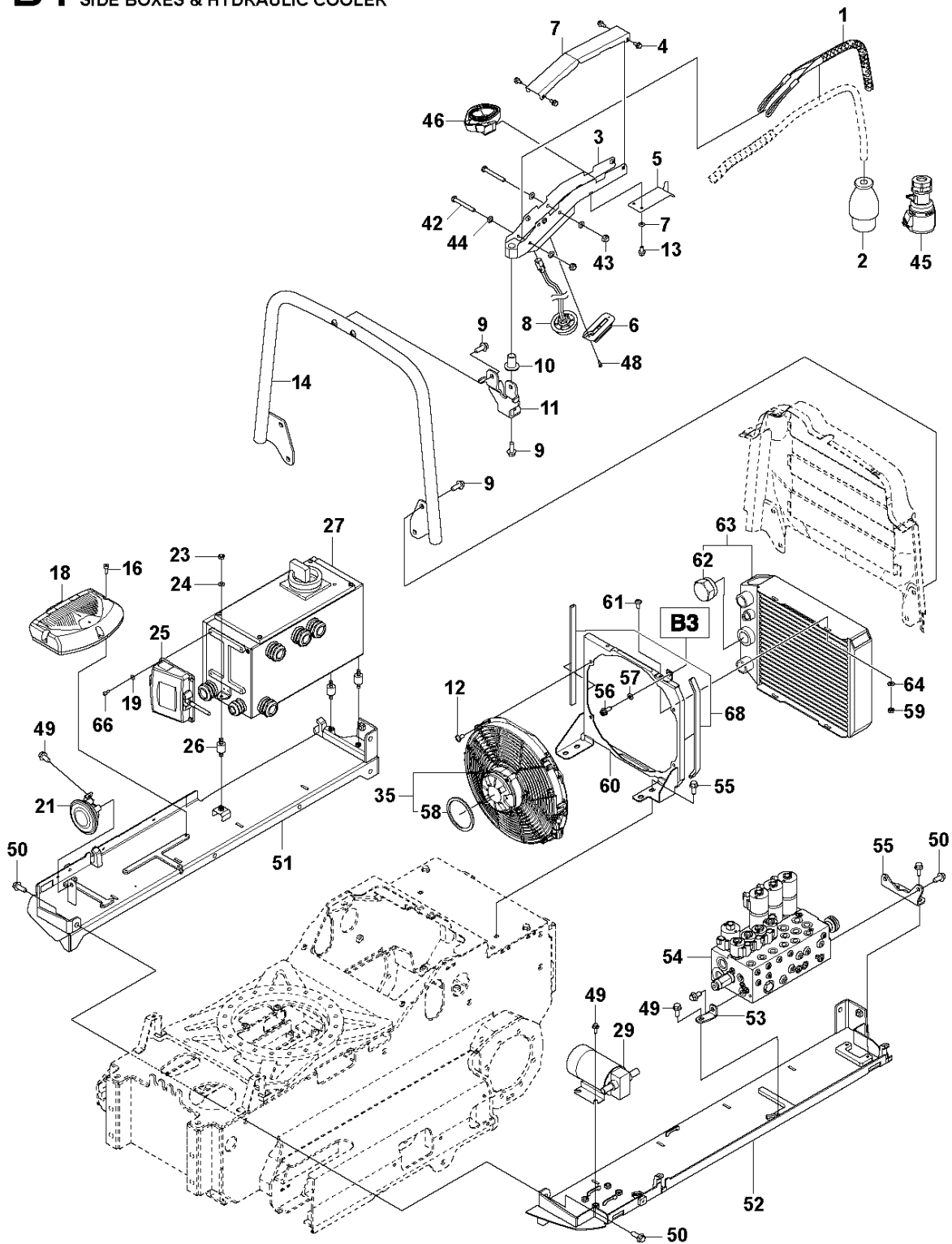
Ref	Part No	Description	Remark	QTY KIT	
1	525 80 09-01	TENSION ROLLER		1	
2	579 31 77-01	PLATE		2	
3	725 54 95-01	SCREW IHSCM		4	
4	505 26 74-01	CYLINDER		2	
11	501 06 21-01	SCREW IHSCM		16	
12	574 70 11-01	DRIVE MOTOR		2	
13	525 79 75-01	SPROCKET		2	
14	579 32 84-01	RUBBER TRACKS		2	
15	725 54 67-51	SCREW IHSCM		4	12
16	522 96 49-01	VALVE KIT		2	12
17	522 96 50-01	SEAL		2	12
18	725 54 57-51	SCREW IHSCM		8	12
21	522 85 76-01	SEAL		2	4
25	590 14 32-01	COVER KIT		2	12
26	590 34 21-01	O-RING		2	12
27	575 59 56-01	ACCUMULATOR		1	
28	575 61 14-01	HOSE CLAMP		1	
29	590 21 74-01	NEEDLE VALVE		1	

B3 DXR 145
COVER



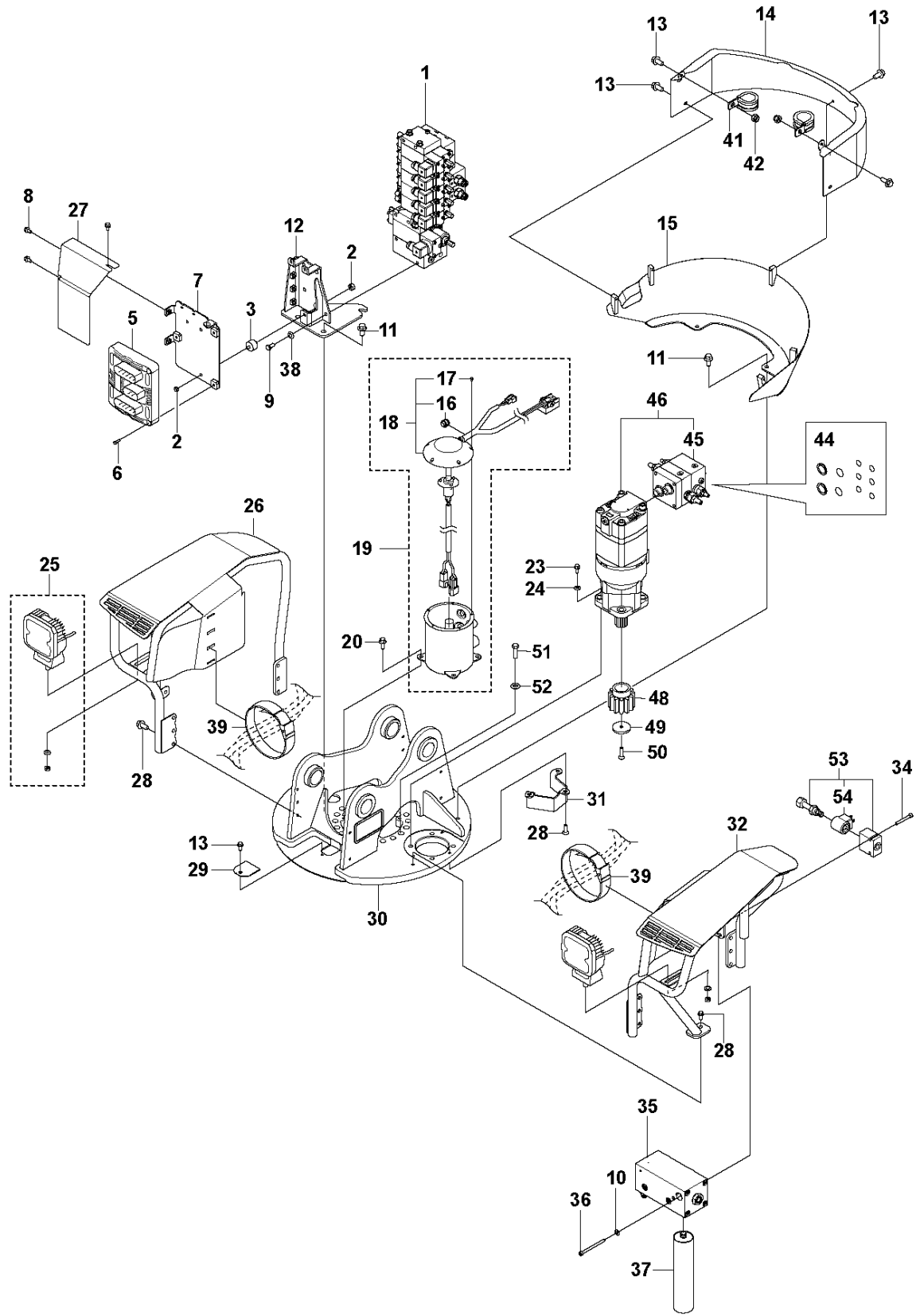
Ref	Part No	Description	Remark	QTY	KIT
1	575 78 31-01	LATCH		1	30
2	510 36 21-01	HINGE		1	30
3	576 41 78-01	WASHER		4	30
4	725 53 27-01	SCREW IHSCM		4	30
5	574 71 62-01	MAGNET		1	30
6	574 62 63-01	COVER		1	30
8	522 66 86-01	SCREW EHHFM		6	
11	574 53 15-01	COVER		1	
20	531 03 25-01	SWITCH		1	
21	531 11 63-01	LID		1	
23	531 31 80-01	BRACKET		1	
24	574 25 11-01	SCREW EHHFM		4	
25	725 53 68-01	SCREW IHSCM		2	
26	531 12 23-43	STRAP		2	
27	587 92 89-01	STRAP		1	
28	587 69 30-01	LATCH		2	31
29	531 11 92-08	SCREW		8	31
30	587 25 79-01	COVER		1	
31	587 44 51-01	COVER		1	
32	587 27 61-01	COVER		1	
33	587 72 42-01	COVER		1	
34	522 66 86-01	SCREW EHHFM		12	
35	586 31 59-01	SUPPORT		1	
36	535 47 52-30	SCREW EHHFM		3	
37	587 44 52-01	HOLDER		1	
38	589 37 80-01	SCREW		1	
39	587 26 96-01	COVER		1	
40	522 66 84-01	SCREW EHHFM		7	

B4 DXR 145
SIDE BOXES & HYDRAULIC COOLER

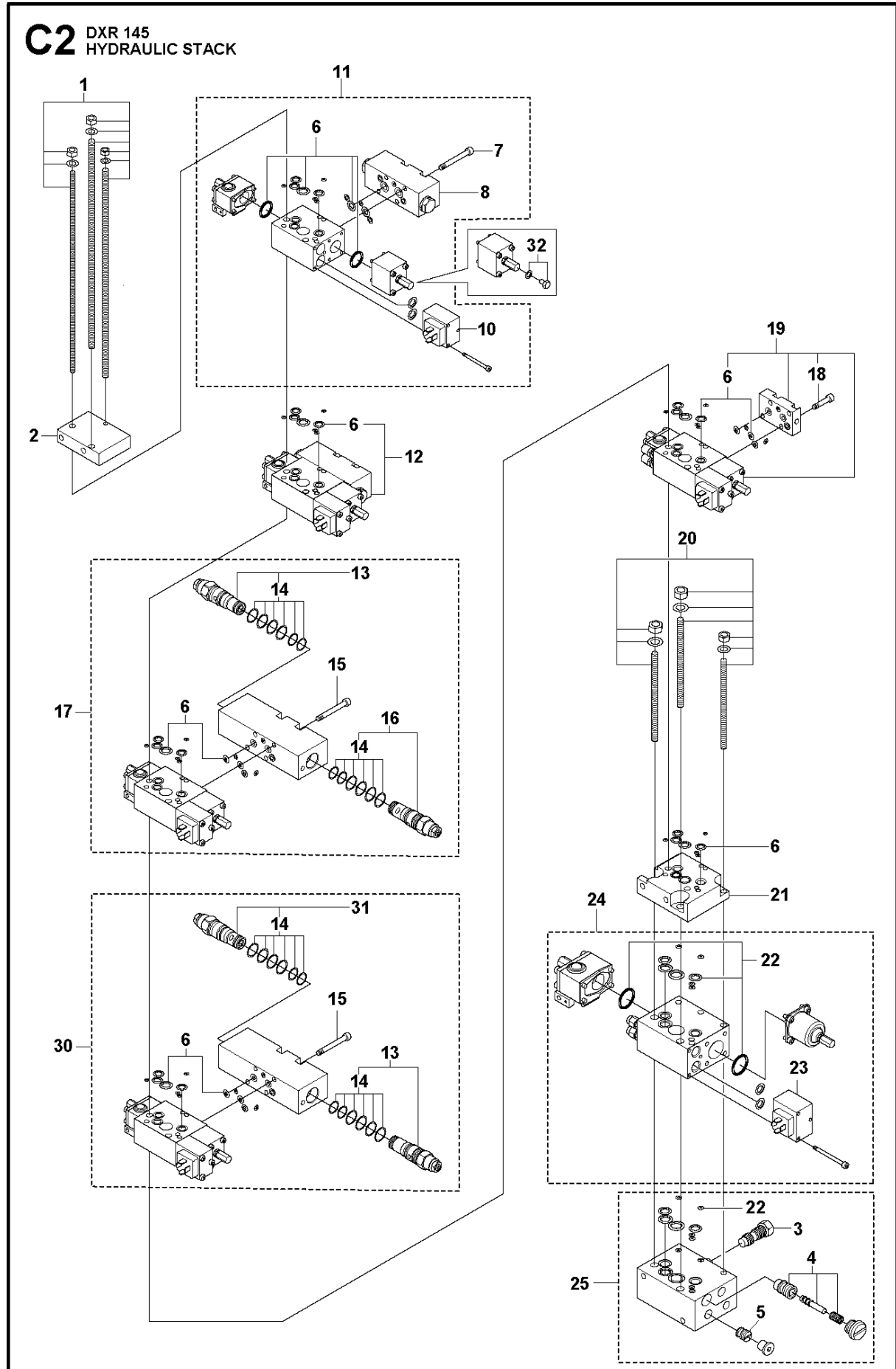


Ref	Part No	Description	Remark	QTY	KIT
1	574 66 78-01	CABLE CLAMP		1	
2	510 27 77-02	CABLE		1	
3	599 92 86-01	ARM		1	
4	522 66 84-01	SCREW EHHFM		4	
5	529 80 18-01	PLATE		1	
6	599 96 63-01	LIGHT		1	
7	599 94 42-01	LID		2	
8	592 98 10-01	SERVICE KIT		1	
9	574 25 89-01	SCREW EHHFM		3	
10	574 71 30-01	PIN		1	
11	581 59 15-01	BRACKET		1	
12	522 66 86-01	SCREW EHHFM		4	
13	522 66 84-01	SCREW EHHFM		2	
14	576 56 64-01	PROTECTOR BAR		1	
16	725 53 72-01	SCREW IHSCM		3	
18	599 22 25-01	CONTROL UNIT	Master control unit Empty/Contains No Software	1	
19	576 41 78-01	WASHER		4	
21	510 12 60-01	HORN		1	
23	576 15 67-01	NUT		3	
24	522 67 15-01	WASHER		3	
25	598 87 54-01	REMOTE CONTROL		1	
26	575 72 77-01	DAMPER		3	
27	599 53 33-01	ELECTRONIC BOX		1	
29	529 84 94-01	OIL PUMP		1	
35	523 03 20-01	FAN		1	
42	587 15 87-01	SCREW EHHM		2	
43	522 66 94-01	LOCK NUT		2	
44	522 67 16-01	WASHER		4	
45	531 11 71-31	SOCKET		1	
46	522 73 36-01	STRAP		1	
48	582 42 06-02	SCREW		2	
49	522 66 84-01	SCREW EHHFM		4	
50	522 70 66-01	SCREW EHHFM		10	
51	599 64 47-01	BASEPLATE		1	
52	529 88 74-01	BASEPLATE		1	
53	501 60 58-01	BRACKET		1	
54	531 09 14-01	VALVE ASSY		1	
55	522 66 87-01	SCREW EHHFM		4	
56	535 47 52-30	SCREW EHHFM		3	
57	522 67 16-01	WASHER		7	
58	582 18 02-01	SPACER RING		1	35
59	522 66 93-01	LOCK NUT		18	
60	582 67 67-01	BRACKET		1	
61	587 39 42-01	SCREW IHANM		4	
62	585 84 21-01	VALVE		1	63
63	594 11 66-01	OIL COOLER		1	
64	522 67 15-01	WASHER		19	
66	725 53 27-01	SCREW IHSCM		4	
68	587 39 43-01	SEAL KIT		1	

C1 DXR 145
TOWER



Ref	Part No	Description	Remark	QTY	KIT
1	531 28 86-01	VALVE ASSY		1	
2	522 66 93-01	LOCK NUT		3	
3	575 72 77-01	DAMPER		3	
5	599 22 33-01	CONTROL UNIT	Slave module -Tower	1	
6	725 53 72-01	SCREW IHSCM		3	
7	599 72 53-01	PLATE		1	
8	522 66 84-01	SCREW EHHFM		3	
9	588 41 88-01	SCREW EHHM		4	
10	734 11 63-01	WASHER		2	
11	522 70 66-01	SCREW EHHFM		5	
12	525 85 98-01	CONSOLE		1	
13	522 66 86-01	SCREW EHHFM		1	
14	588 08 16-01	COVER		1	
15	588 06 56-01	COVER		1	
16	529 75 21-01	CABLE		1	18, 19
17	576 67 60-01	SCREW IHSCM		5	18, 19
18	529 75 19-01	SWIVEL		1	19
19	529 75 00-01	SWIVEL		1	
20	725 54 53-01	SCREW IHSCM		4	
23	510 24 12-01	SCREW IHSCM		4	
24	510 24 36-01	WASHER		4	
25	599 57 96-01	LAMP		2	
26	599 65 07-01	FRAME		1	
27	599 72 53-01	PLATE		1	
28	522 70 71-02	SCREW EHHFM		13	
29	576 43 49-01	COVER		1	
30	525 84 61-01	BASEPLATE		1	
31	575 81 45-01	PROTECTION		1	
32	599 65 08-01	FRAME		1	
34	503 20 00-33	SCREW EHHFM		2	
35	505 27 78-01	PUMP		1	
36	576 15 49-01	SCREW		2	
37	521 91 77-01	GREASE		1	
38	576 74 41-01	WASHER		4	25
39	522 73 36-01	STRAP		4	
41	598 93 57-01	CLAMP		2	
42	522 66 93-01	LOCK NUT		1	
44	579 83 43-01	SEAL KIT		1	45, 46
45	576 37 93-01	VALVE		1	46
46	590 50 13-01	HYDRAULIC MOTOR ASSY		1	
48	590 50 32-01	PINION		1	
49	590 50 28-01	WASHER		1	
50	725 64 55-51	SCREW IHCSFM		1	
51	574 25 75-01	SCREW EHHM		21	
52	510 24 36-01	WASHER		31	
53	522 74 00-01	CONTROL VALVE		1	
54	522 96 30-01	SOLENOID		1	53

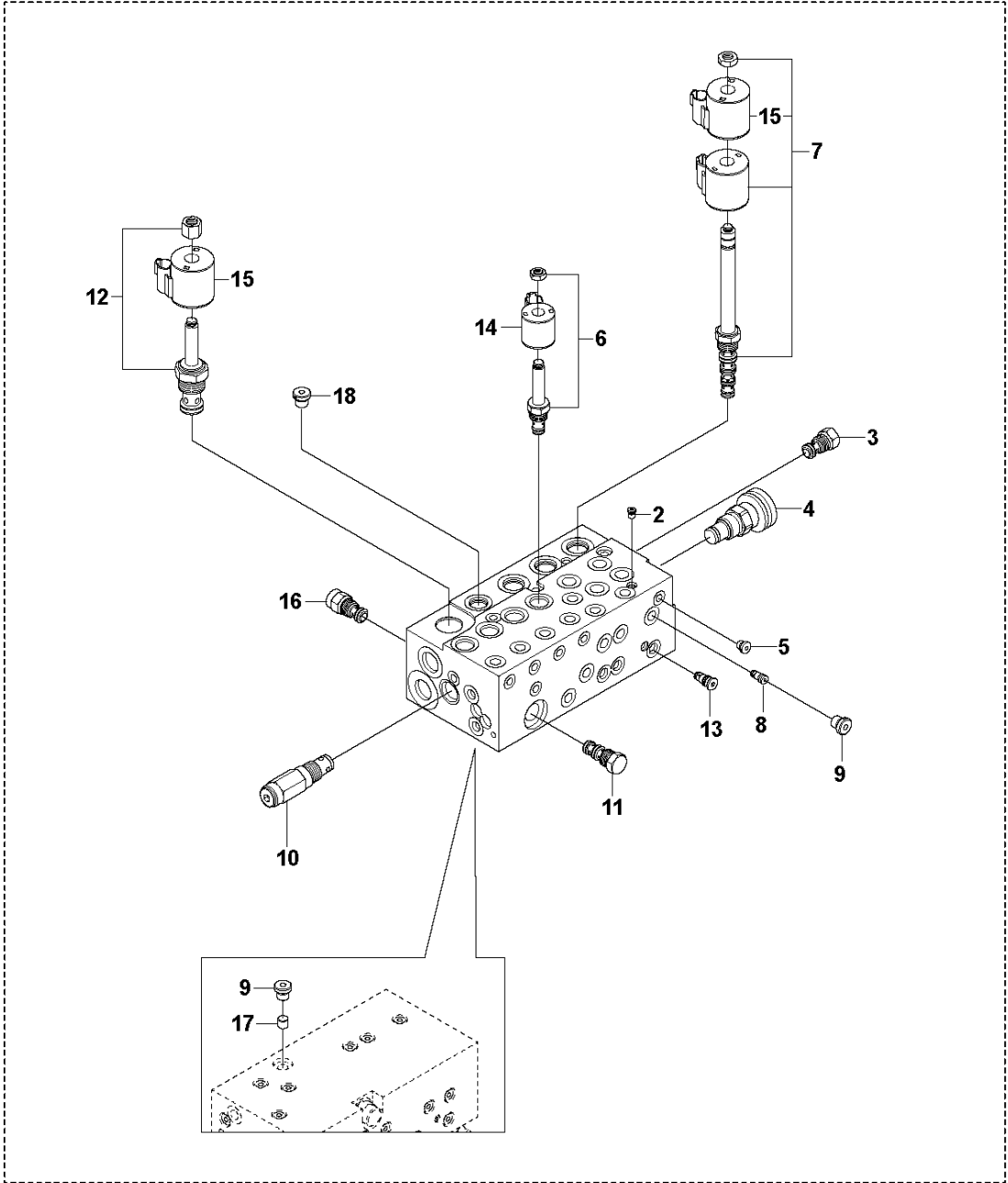


HYDRAULIC STACK

DXR 145, 2021-11

Ref	Part No	Description	Remark	QTY	KIT
1	522 96 34-01	TAP	5 sections	1	
1	523 06 20-01	TAP	Extra hydraulic function 1 (6 sections)	1	
1	523 06 24-01	TAP	Extra hydraulic function 2 (7 sections)	1	
2	522 80 04-01	VALVE		1	
3	531 29 82-01	DAMPER		1	25
4	TBD	TBD		1	25
5	TBD	TBD		1	25
6	522 96 17-01	SEAL		6	11, 12, 17, 19
7	725 53 78-51	SCREW IHSCM		8	11
8	522 96 25-01	VALVE		2	11
10	522 96 13-01	SOLENOID		1	11
11	585 53 28-01	VALVE	Cylinder 4	1	
12	579 70 34-01	VALVE	Cylinder 3	1	
13	522 96 23-01	VALVE		2	17, 30
14	522 96 24-01	O-RING		2	13, 16, 17, 30, 31
15	725 53 80-51	SCREW IHSCM		8	17, 30
16	582 37 17-01	VALVE		1	17
17	590 55 94-01	VALVE	Cylinder 2	2	
18	725 53 68-01	SCREW IHSCM		1	19
19	585 53 31-01	VALVE	Slew	1	
20	522 96 33-01	TAP		1	
21	522 79 98-01	VALVE		1	
22	522 96 20-01	SEAL		2	24, 25
23	522 96 18-01	SOLENOID		1	24
24	576 31 14-01	VALVE	Tool	1	
25	531 29 80-01	VALVE		1	
30	590 55 96-01	VALVE	Cylinder 1	1	
31	522 96 22-01	VALVE		1	30
32	501 11 56-01	LOOSE PARTS KIT		10	

C3 DXR 145
HYDRAULIC BLOCK

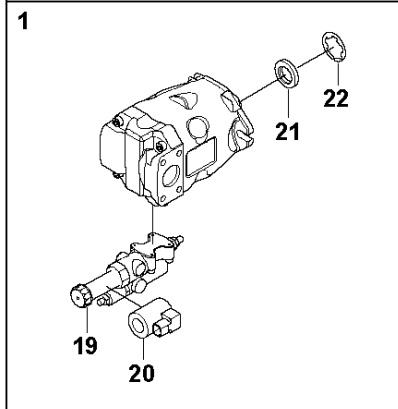
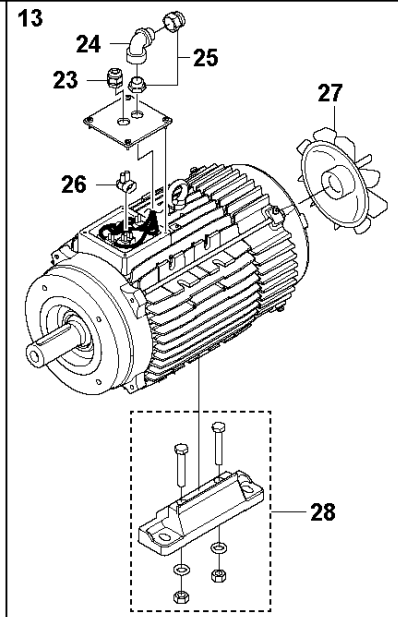
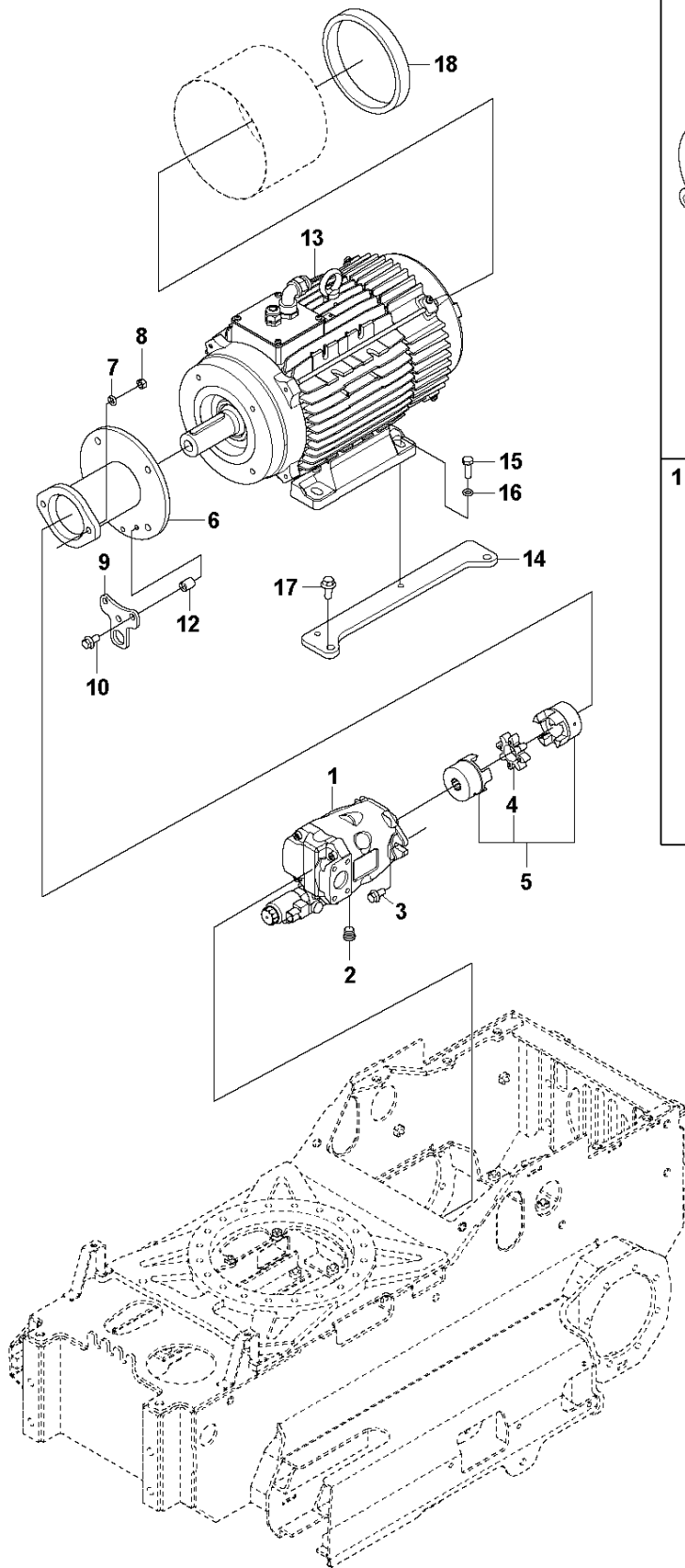


HYDRAULIC BLOCK

DXR 145, 2021-11

Ref	Part No	Description	Remark	QTY KIT	
1	531 09 14-01	VALVE ASSY		1	
2	582 09 31-01	PLUG		4	1
3	582 09 17-01	CHECK VALVE	Track tension, check valve	1	1
4	590 21 74-01	NEEDLE VALVE	Track tension, needle valve	1	1
5	582 09 33-01	PLUG		32	1
6	586 29 53-01	VALVE	Outriggers, on/off valve	4	1
7	586 29 54-01	VALVE	Outriggers / Tracks, prop. valve	3	1
8	586 29 55-01	VALVE	Outriggers / Tracks, loadsensing	3	1
9	582 09 32-01	PLUG		7	1
10	576 34 72-01	VALVE	System pressure relief valve, 280 bar	1	1
11	576 34 74-01	VALVE	Load-sensing signal, shuttle check valve	1	1
12	576 33 88-01	VALVE	Circulation, on/off valve	1	1
13	576 34 73-01	VALVE	Outriggers / Tracks, load-sensing signal check valve	3	1
14	576 34 70-01	SOLENOID		4	1
15	576 33 90-01	SOLENOID		8	1, 7
16	576 34 76-01	VALVE	Load-sensing signal, bleed valve	1	1
17	TBD	TBD	Orifice	1	1
18	582 09 31-01	PLUG		1	1

C4 DXR145
HYDRAULIC PUMP - MOTOR

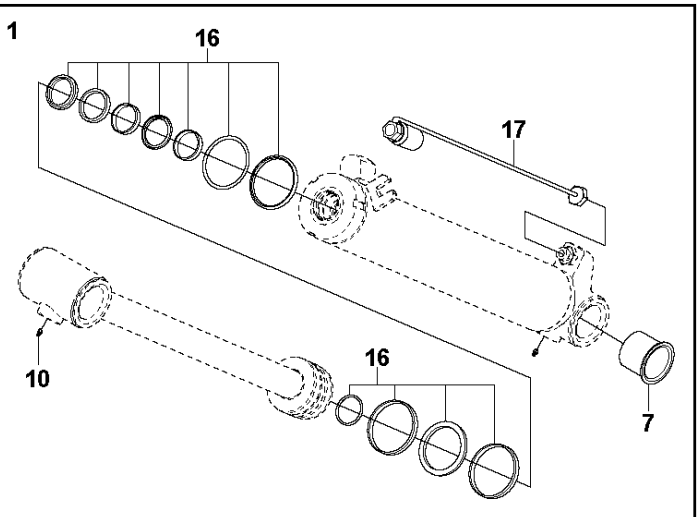
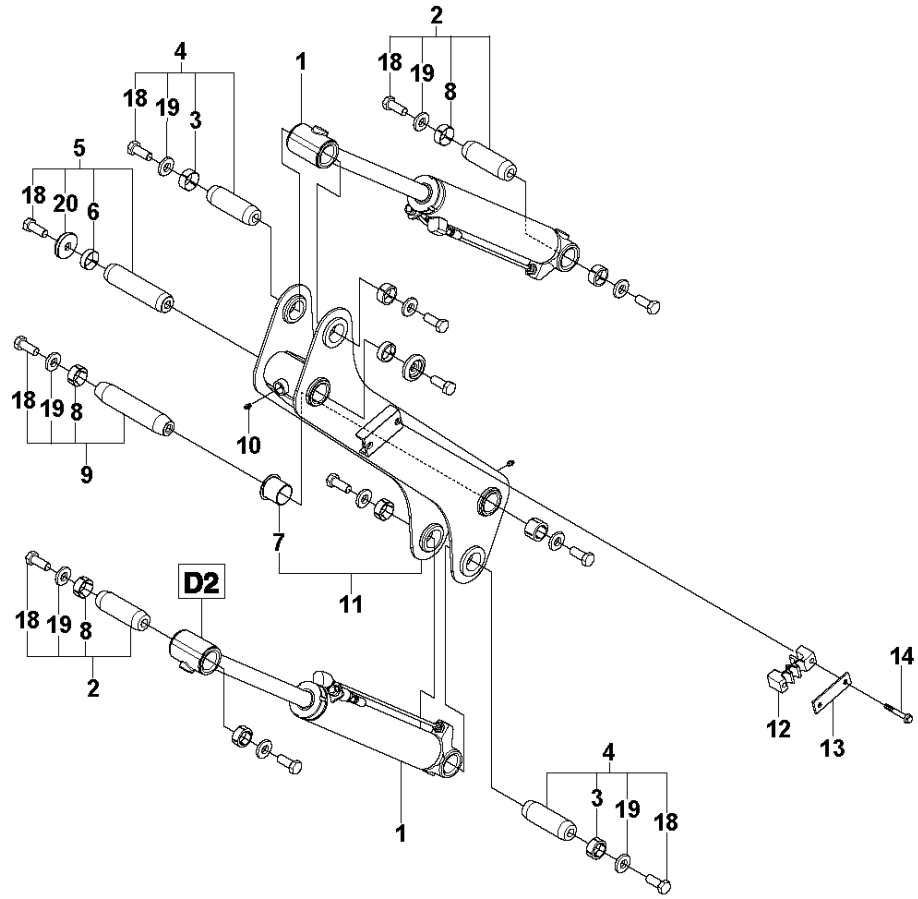
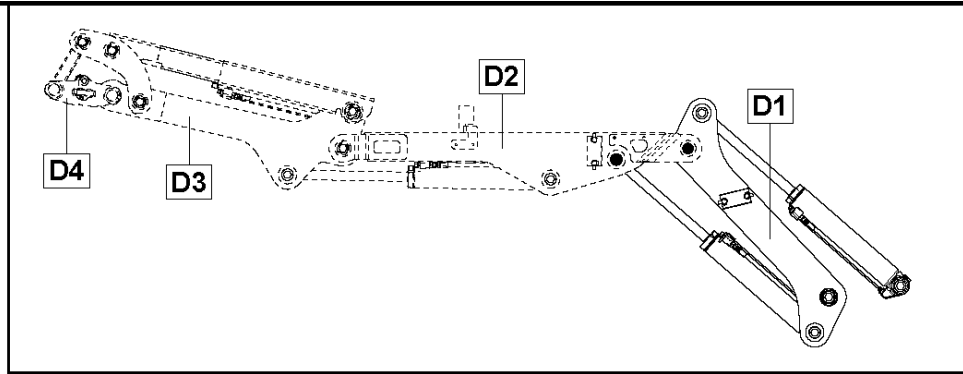


HYDRAULIC PUMP - MOTOR

DXR 145, 2021-11

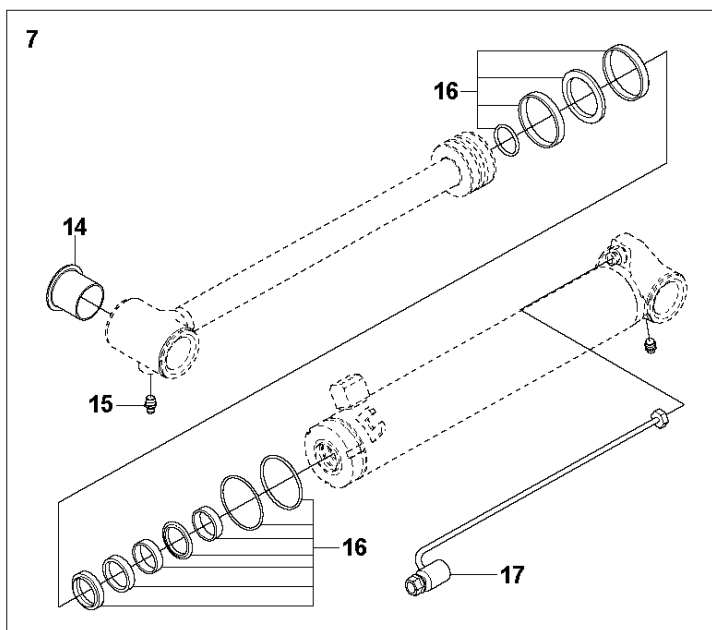
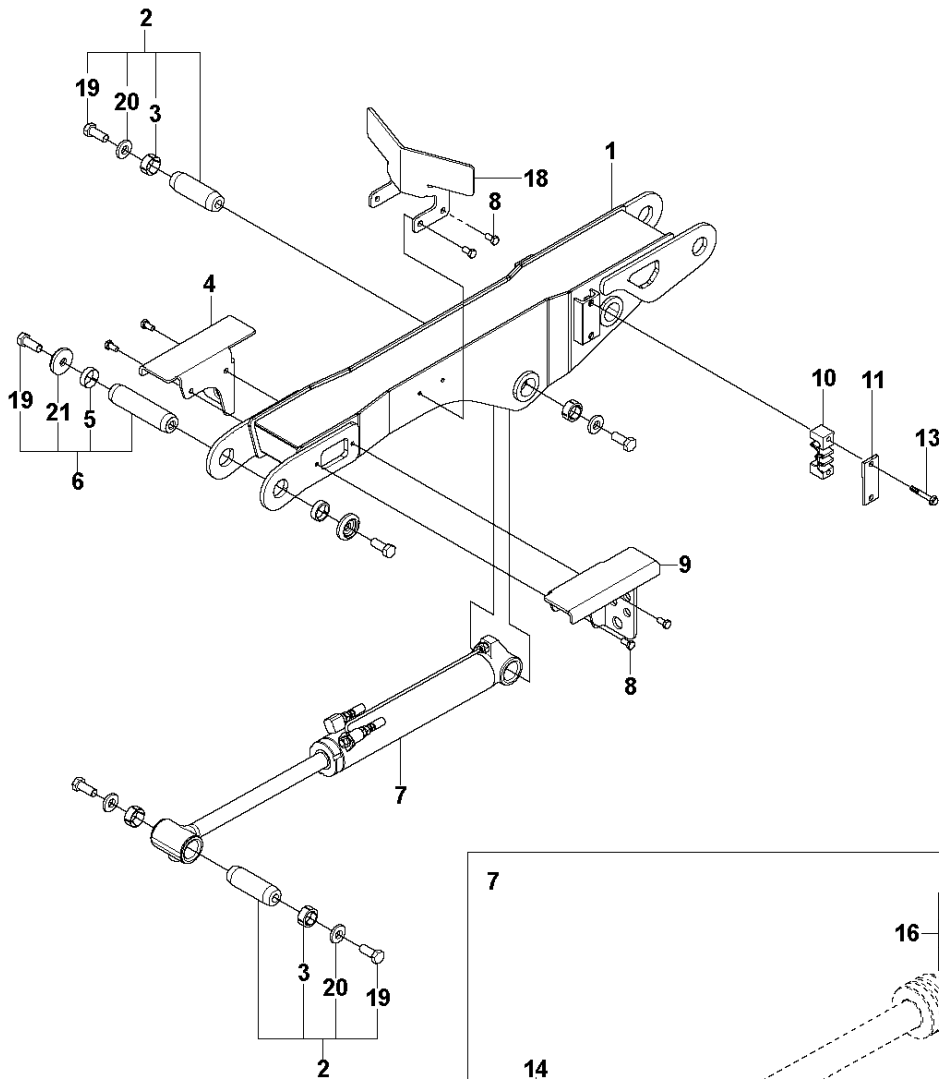
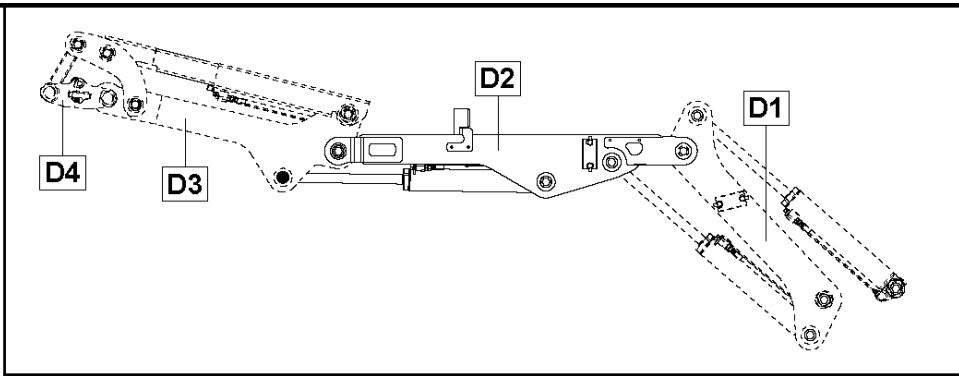
Ref	Part No	Description	Remark	QTY KIT	
1	535 32 91-01	HYDRAULIC PUMP		1	
2	578 39 18-01	PLUG		1	
3	574 25 11-01	SCREW EHHFM		9	
4	525 75 50-01	COUPLING		1	5
5	525 75 41-01	COUPLING		1	
6	574 71 34-01	BRACKET		1	
7	522 67 17-01	WASHER		2	
8	522 66 95-01	LOCK NUT		2	
9	574 71 71-01	BRACKET		1	
10	506 67 54-08	COLLAR SCREW		3	
12	522 51 65-01	SLEEVE		3	
13	529 33 14-01	MOTOR		1	
14	529 31 72-01	BRACKET		1	
15	725 24 95-76	SCREW EHHM		4	
16	522 44 98-01	WASHER		4	
17	522 70 66-01	SCREW EHHFM		14	
18	575 85 05-05	SEALING STRIP		1	
19	529 33 10-01	REGULATOR		1	1
20	529 55 22-01	SOLENOID		1	1
21	531 23 72-01	SEAL		1	1
22	531 23 71-01	CIRCLIP		1	1
23	TBD	TBD		1	13
24	529 75 78-01	CABLE		1	13
25	TBD	TBD		1	13
26	529 88 45-01	TERMINAL BLOCK		1	13
27	590 22 06-01	FAN		1	13
28	598 80 47-01	FOOTPLATE	1 pcs	2	13

D1 DXR 145
ARM ONE



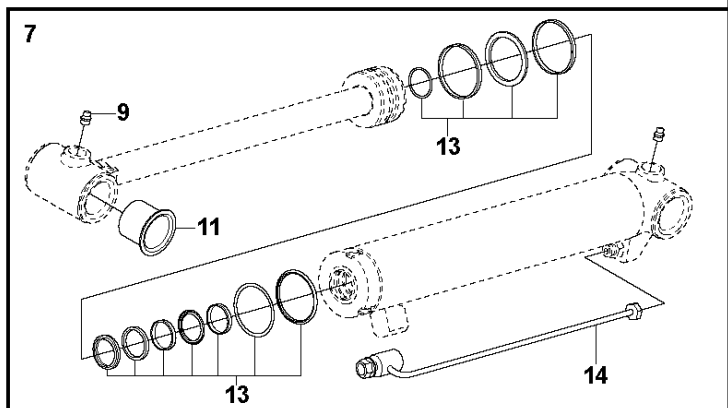
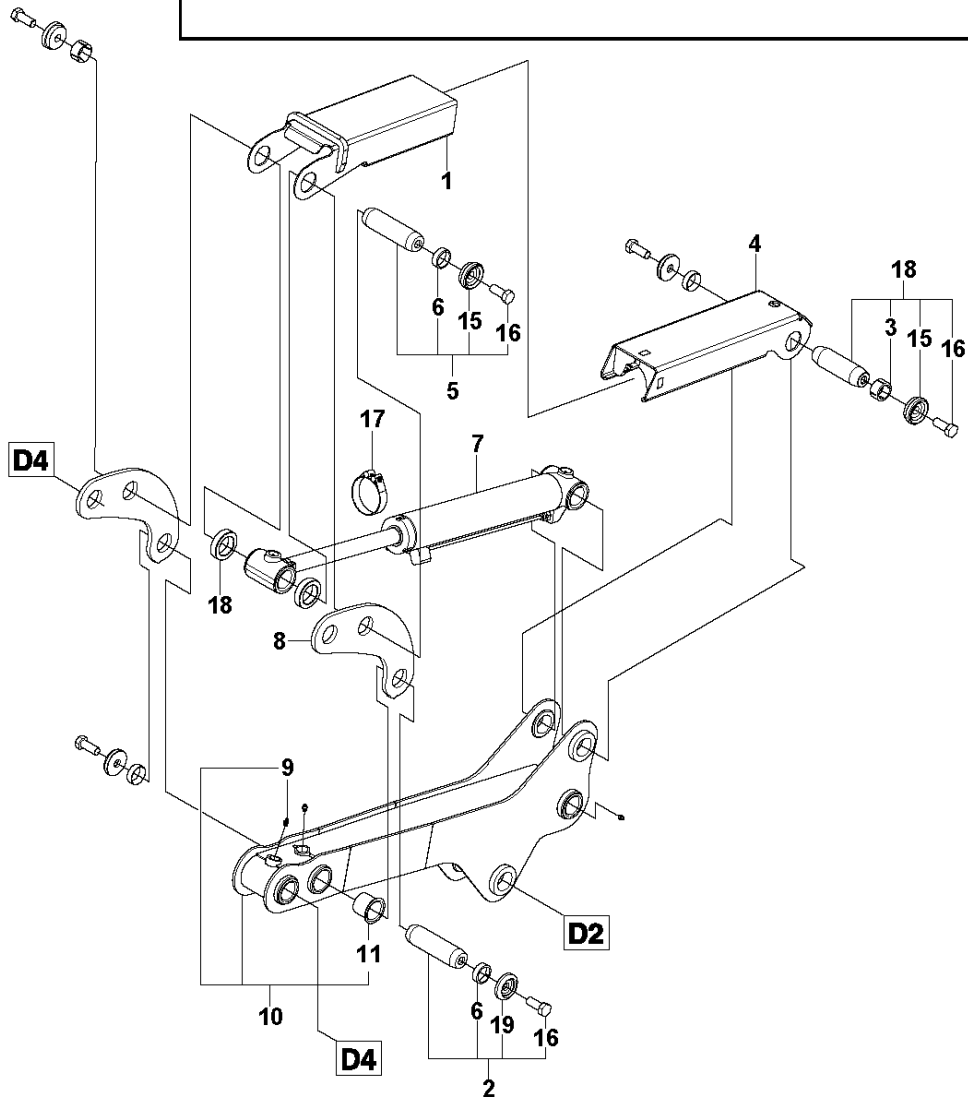
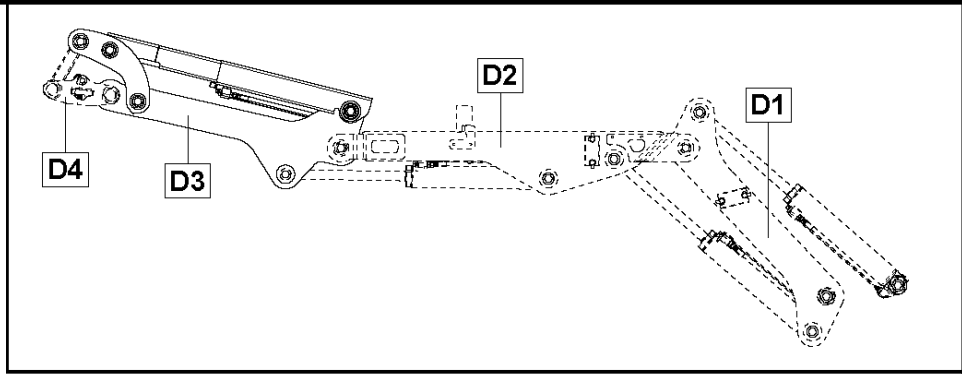
Ref	Part No	Description	Remark	QTY	KIT
1	525 57 13-01	CYLINDER		2	
2	525 76 32-01	SHAFT		2	
3	522 84 12-01	SLEEVE		6	4
4	525 76 22-01	SHAFT		3	
5	525 76 06-01	SHAFT		1	
6	522 84 11-01	SLEEVE		2	5
7	505 25 08-01	BEARING BUSH		12	1, 11
8	522 84 15-01	SLEEVE		4	2, 9
9	525 76 39-01	SHAFT		1	
10	504 89 53-01	LUBRICATION NIPPLE		6	1
11	525 43 03-01	ARM		1	
12	588 89 95-01	HOSE CLAMP		2	
13	588 90 10-01	PLATE		2	
14	725 25 03-55	SCREW EHHM		4	
16	576 45 42-01	SEAL		2	1
17	576 45 43-01	HYDRAULIC PIPE		2	1
18	522 84 23-01	SCREW EHHM		28	2, 4, 5, 9
19	582 30 03-01	WASHER		16	2, 4, 9
20	522 84 19-01	WASHER		10	5

D2 DXR 145
ARM TWO



Ref	Part No	Description	Remark	QTY	KIT
1	581 83 64-01	ARM		1	
2	525 76 22-01	SHAFT		2	
3	522 84 12-01	SLEEVE		4	2
4	580 28 39-01	COVER		1	
5	522 84 11-01	SLEEVE		2	6
6	525 76 06-01	SHAFT		1	
7	525 57 13-01	CYLINDER		1	
8	574 25 89-01	SCREW EHHFM		4	
9	580 28 38-01	COVER		1	
10	588 89 95-01	HOSE CLAMP		2	
11	588 90 10-01	PLATE		2	
13	725 25 03-55	SCREW EHHM		4	
14	505 25 08-01	BEARING BUSH		4	7
15	504 89 53-01	LUBRICATION NIPPLE		2	7
16	576 45 42-01	SEAL		1	7
17	576 45 43-01	HYDRAULIC PIPE		1	7
18	581 87 88-01	PLATE		1	
19	522 84 23-01	SCREW EHHM		30	2, 6
20	582 30 03-01	WASHER		16	2
21	522 84 19-01	WASHER		10	6

D3 DXR 145
ARM THREE

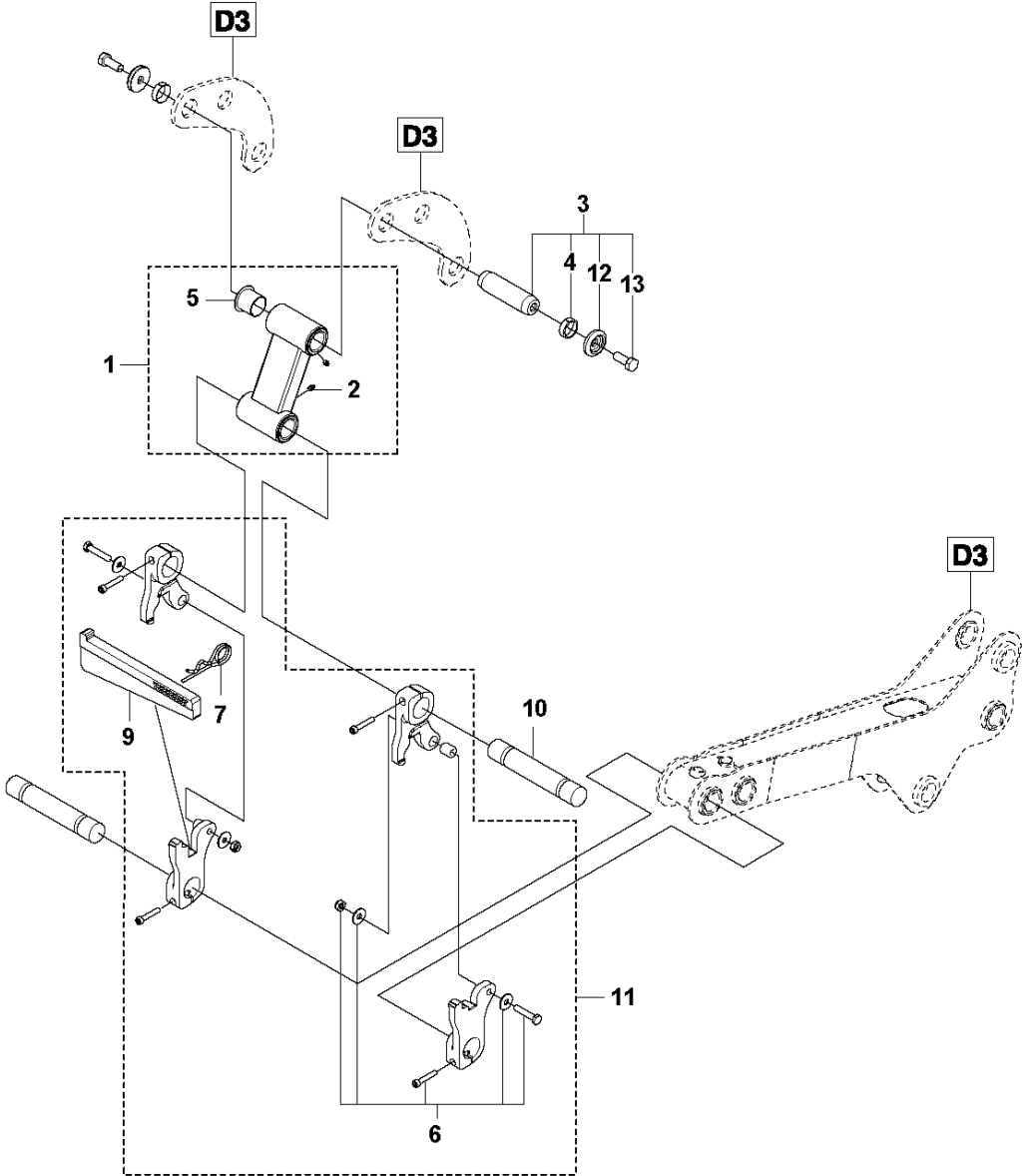
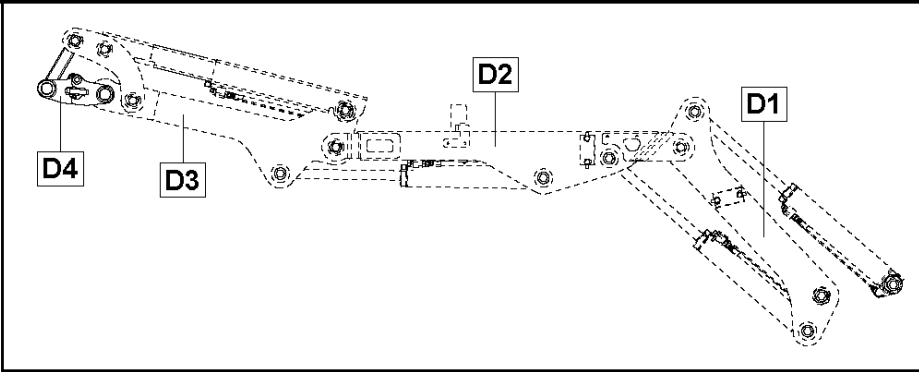


ARM THREE

DXR 145, 2021-11

Ref	Part No	Description	Remark	QTY	KIT
1	592 76 64-01	PROTECTION		1	
2	525 76 27-01	SHAFT		2	
3	522 84 13-01	SLEEVE		2	18
4	592 76 66-01	PROTECTION		1	
5	582 65 37-01	SHAFT ASSY		1	
6	522 84 11-01	SLEEVE		8	2, 5
7	525 57 13-01	CYLINDER		1	
8	525 47 66-01	PLATE		2	
9	504 89 53-01	LUBRICATION NIPPLE		5	7, 10
10	525 45 74-01	ARM		1	
11	505 25 08-01	BEARING BUSH		8	7, 10
13	576 45 42-01	SEAL		1	7
14	576 45 43-01	HYDRAULIC PIPE		1	7
15	582 29 99-01	WASHER		4	5, 18
16	522 84 23-01	SCREW EHHM		30	2, 5, 18
17	582 65 36-01	HOSE CLAMP		2	
18	588 90 55-01	SHAFT ASSY		1	
19	522 84 19-01	WASHER		10	2

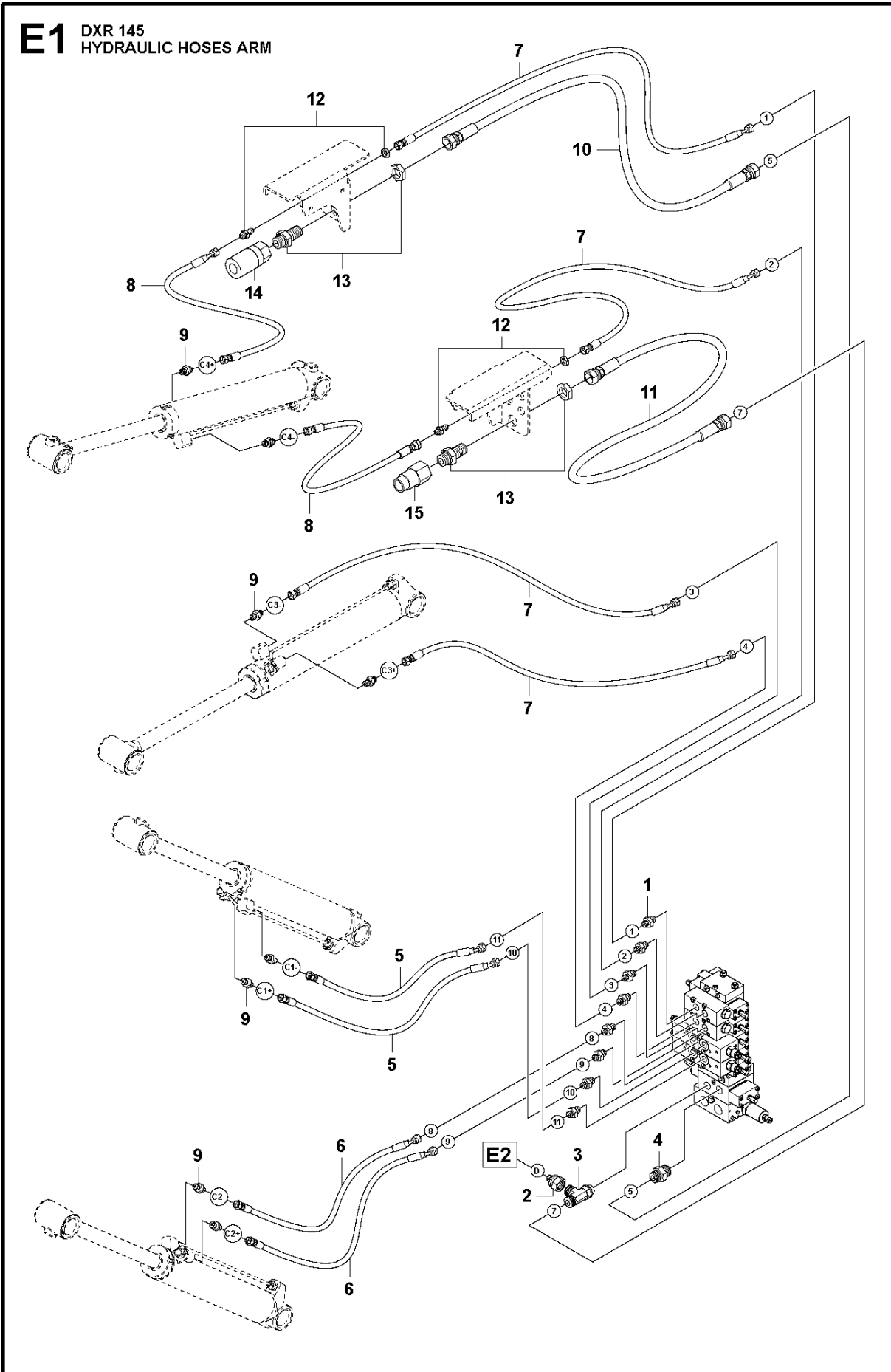
D4 DXR 145
TOOL HOLDER



TOOL HOLDER

DXR 145, 2021-11

Ref	Part No	Description	Remark	QTY	KIT
1	525 47 67-01	ARM		1	
2	504 89 53-01	LUBRICATION NIPPLE		2	1
3	525 76 27-01	SHAFT		1	
4	522 84 11-01	SLEEVE		2	3
5	505 25 08-01	BEARING BUSH		6	1
6	582 60 61-01	LOOSE PARTS KIT		1	11
7	588 93 82-01	COTTER		1	11
9	586 37 71-01	WEDGE		1	11
10	579 67 82-01	SHAFT		1	
11	588 97 89-01	HITCH		1	
12	582 29 99-01	WASHER		4	3
13	523 84 23-01	ZUSATZGRIFF KLEIN		30	3

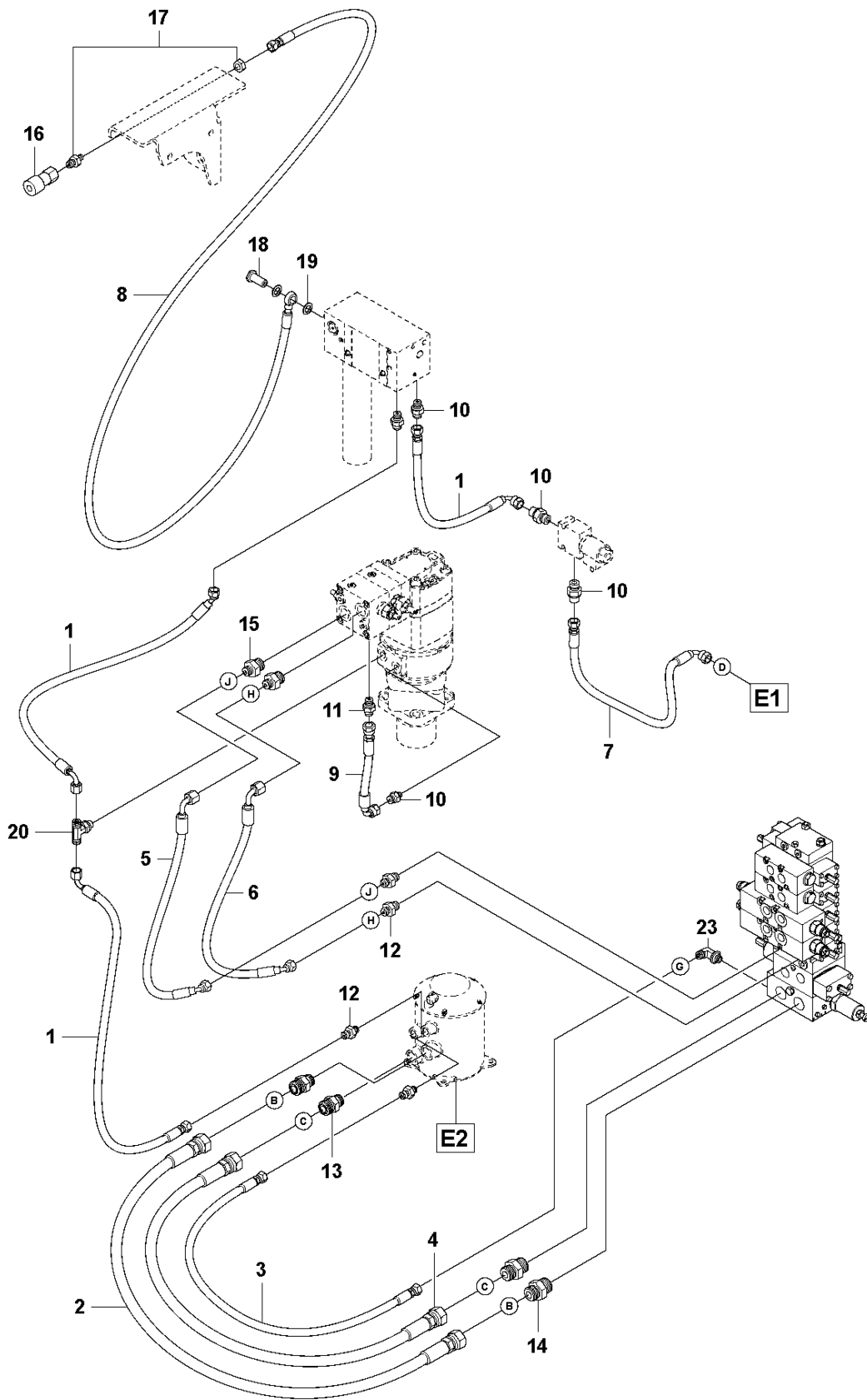


HYDRAULIC HOSES ARM

DXR 145, 2021-11

Ref	Part No	Description	Remark	QTY KIT
1	522 73 00-01	ADAPTER		10
2	522 83 74-01	ADAPTER		1
3	522 61 36-01	ADAPTER		1
4	574 24 61-01	ADAPTER		3
5	585 48 56-02	HOSE ASSY		3
6	510 23 48-07	HOSE ASSY		2
7	585 48 56-04	HOSE ASSY		4
8	585 48 42-01	HOSE ASSY		10
9	510 24 57-01	ADAPTER		37
10	574 24 57-04	HOSE ASSY		1
11	585 48 32-02	HOSE ASSY		2
12	589 00 88-01	ADAPTER		2
13	574 68 73-01	ADAPTER		2
14	510 26 81-01	QUICK COUPLING		1
15	510 26 80-01	QUICK COUPLING		1

E2 DXR 145
HYDRAULIC HOSES BASE PLATE

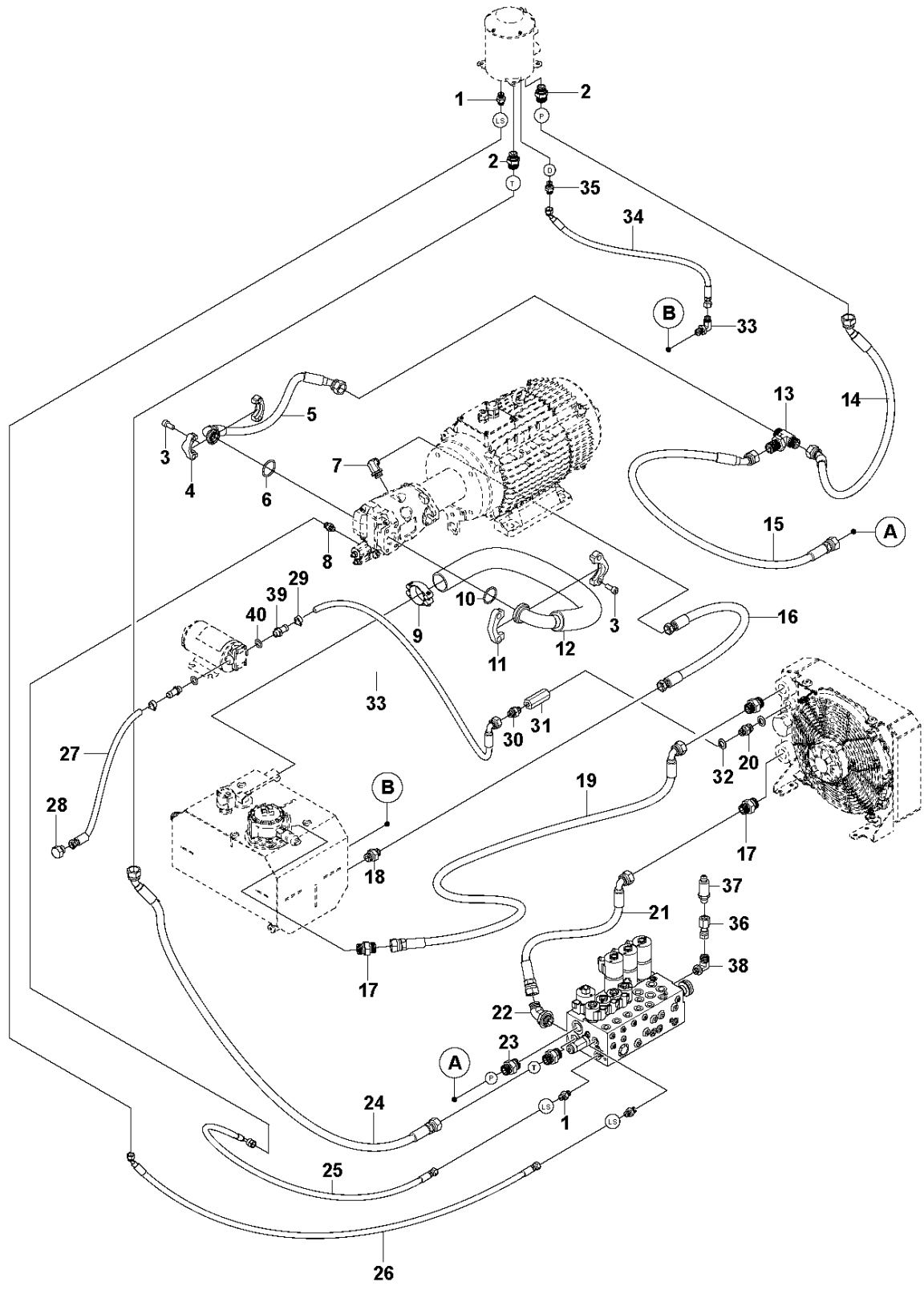


HYDRAULIC HOSES BASE PLATE

DXR 145, 2021-11

Ref	Part No	Description	Remark	QTY KIT
1	510 25 18-12	HOSE ASSY		4
2	585 48 33-02	HOSE ASSY		2
3	510 25 18-13	HOSE ASSY		1
4	585 48 33-02	HOSE ASSY		2
5	582 31 37-01	HOSE ASSY		2
6	582 31 37-01	HOSE ASSY		2
7	522 67 25-17	HOSE ASSY		1
8	576 54 40-01	HOSE ASSY		1
9	585 48 55-05	HOSE ASSY		1
10	589 01 08-01	ADAPTER		1
11	589 01 09-01	ADAPTER		37
12	589 01 10-01	ADAPTER		13
13	574 24 60-01	ADAPTER		3
14	574 24 61-01	ADAPTER		3
15	510 25 90-01	ADAPTER		2
16	510 26 79-01	QUICK COUPLING		1
17	510 25 79-01	ADAPTER		1
18	589 02 19-01	SCREW		1
19	501 72 09-01	WASHER		2
20	589 01 81-01	ADAPTER		1
23	510 26 54-01	ADAPTER		2

E3 DXR 145
HYDRAULIC HOSES POWER PACK

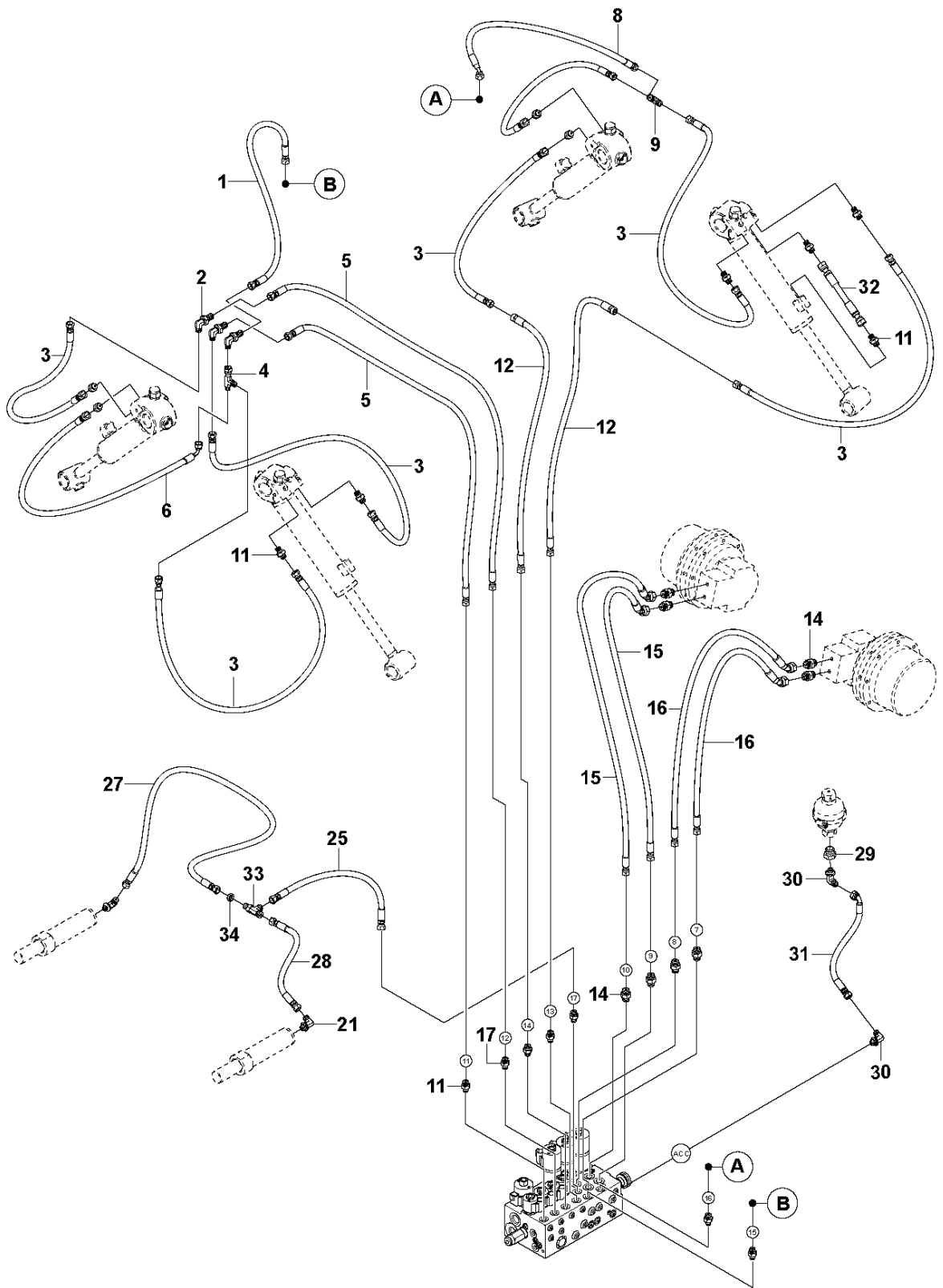


HYDRAULIC HOSES POWER PACK

DXR 145, 2021-11

Ref	Part No	Description	Remark	QTY KIT
1	510 24 57-01	ADAPTER		19
2	574 24 60-01	ADAPTER		2
3	725 24 95-76	SCREW EHHM		8
4	574 24 12-01	FLANGE		2
5	576 03 42-01	HOSE ASSY		1
6	510 36 31-04	O-RING		1
7	574 89 08-01	ADAPTER		1
8	510 26 47-01	ADAPTER		1
9	510 36 32-02	HOSE CLAMP		1
10	510 36 31-03	O-RING		1
11	574 24 11-01	FLANGE		2
12	574 24 55-03	HOSE ASSY		1
13	574 68 74-01	ADAPTER		1
14	574 24 30-01	HOSE ASSY		1
15	574 24 32-04	HOSE ASSY		1
16	576 03 54-01	HOSE ASSY		1
17	510 26 46-01	ADAPTER		4
18	510 25 85-01	ADAPTER		1
19	510 19 53-03	HOSE ASSY		1
20	510 26 11-01	ADAPTER		1
21	576 03 53-01	HOSE ASSY		1
22	576 12 56-01	ADAPTER		1
23	574 24 61-01	ADAPTER		1
24	576 03 52-01	HOSE ASSY		1
25	522 67 25-11	HOSE ASSY		1
26	510 23 48-16	HOSE ASSY		1
27	585 48 57-01	HOSE ASSY		1
28	589 01 04-01	PLUG		1
29	522 67 20-01	HOSE CLAMP		2
30	589 01 96-01	ADAPTER		1
31	510 26 76-01	CHECK VALVE		1
32	501 72 09-02	WASHER		2
33	529 70 46-01	HOSE ASSY		1
34	585 49 93-05	HOSE ASSY		1
35	589 01 54-01	ADAPTER		1
36	582 03 50-01	ADAPTER		1
37	522 49 53-02	SENSOR		1
38	501 53 00-01	ADAPTER		1
39	531 11 80-05	NIPPLE		2
40	501 72 09-02	WASHER		2

E4 DXR 145
HYDRAULIC HOSES TRACKS & SUPPORT LEGS



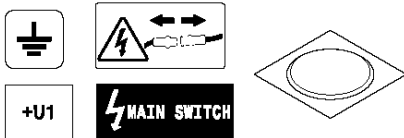
HYDRAULIC HOSES TRACKS & SUPPORT LEGS

DXR 145, 2021-11

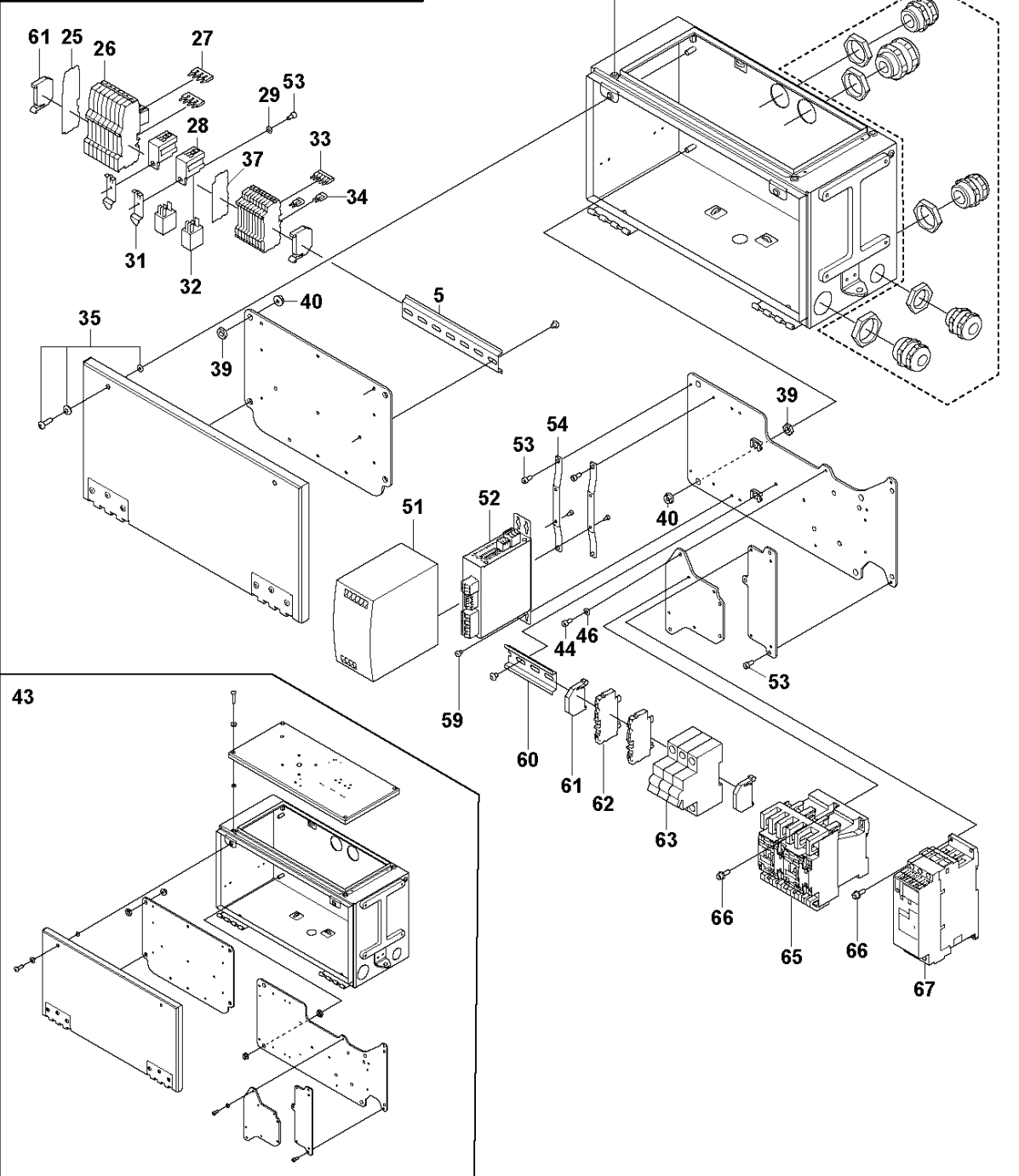
Ref	Part No	Description	Remark	QTY KIT
1	522 67 25-16	HOSE ASSY		1
2	589 00 92-01	ADAPTER		3
3	510 25 18-23	HOSE ASSY		2
4	514 37 35-01	ADAPTER		1
5	585 48 42-08	HOSE ASSY		1
6	585 48 55-01	HOSE ASSY		1
8	585 48 56-03	HOSE ASSY		1
9	510 24 73-01	ADAPTER		2
11	510 24 57-01	ADAPTER		19
12	588 98 70-01	HOSE ASSY		2
14	510 24 58-01	ADAPTER		4
15	585 49 93-03	HOSE ASSY		2
16	585 49 93-04	HOSE ASSY		2
17	589 00 99-01	ADAPTER		1
21	510 26 54-01	ADAPTER		2
25	585 48 56-03	HOSE ASSY		1
27	585 48 56-02	HOSE ASSY		3
28	585 48 56-06	HOSE ASSY		1
29	589 02 28-01	ADAPTER		1
30	501 53 00-01	ADAPTER		7
31	585 48 55-06	HOSE ASSY		4
32	510 25 18-10	HOSE ASSY		4
33	589 00 93-01	ADAPTER		1
34	522 44 71-01	NUT		1
37	574 24 34-01	HOSE ASSY		1

F1 DXR 145 ELECTRICAL

68



Fuse	Amp	Voltage	Description of protected components
F1	4A	400 VAC	T1: AC/DC, KE4: Power meter
F2	15A	24 VDC	ME: Cooling fan
F3	10A	24 VDC	MS: Oil filling pump
F4	10A	24 VDC	KE1: PLC Master
F5	10A	24 VDC	KE2: PLC I/O Slave 1
F6	10A	24 VDC	KE3: PLC I/O Slave 2
F7	1A	24 VDC	KE4: Power source
F8	3A	24 VDC	KE5: Radio receiver



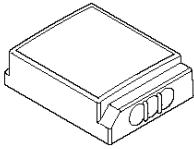
ELECTRICAL

DXR 145, 2021-11

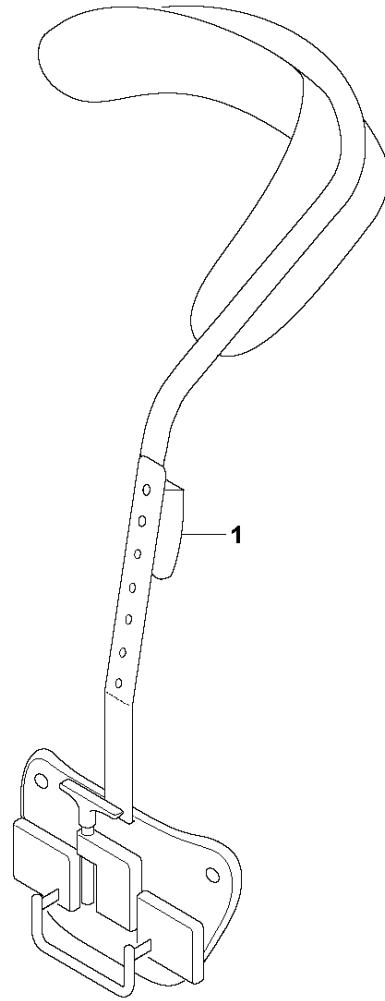
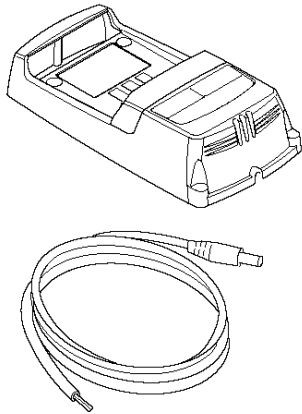
Ref	Part No	Description	Remark	QTY	KIT
5	523 05 53-01	RAIL	Universal length, cut to 170mm	1	
25	584 82 07-01	TERMINAL BLOCK		1	
26	584 80 60-01	FUSE HOLDER		7	
27	584 81 95-01	TERMINAL BLOCK		2	
28	590 17 97-01	SOCKET		2	
29	734 11 36-01	WASHER		2	
31	590 20 27-01	CLIP		2	
32	590 18 00-01	RELAY	K2 (Filling Pump) K3 (Cooling fan), relay	2	
33	585 61 37-01	TERMINAL BLOCK		1	
34	599 66 13-01	JUMPER BAR		2	
35	536363701	TBD		6	43
37	584 82 12-01	TERMINAL BLOCK		1	
39	731 43 18-01	HEXAGON THIN NUT		8	43
40	731 71 16-51	HEXAGON NUT FLANGE		8	43
42	529 94 93-01	LOOSE PARTS KIT		1	
45	522 87 14-01	MAIN SWITCH		1	
43	599 53 30-01	ELECTRONIC BOX		1	
44	725 52 89-01	SCREW IHSCM		4	43
46	585 27 84-01	WASHER		4	43
51	505 52 74-01	TRANSFORMER	T1, Transformer	1	
52	597 73 07-01	ELECTRONIC BOX	KE4, Power meter	1	
53	725 52 87-01	SCREW IHSCM		9	43
54	581 28 66-01	BRACKET		2	
59	585 27 08-01	SCREW IHSCM		10	
60	523 05 53-01	RAIL	Universal length, cut to 84mm	1	
61	522 92 21-01	STOP		4	
62	579 70 53-01	TERMINAL BLOCK		2	
63	522 91 18-01	FUSE		1	
65	584 80 52-01	CONTACTOR	K1, contactor	1	
66	585 27 89-01	SCREW IHSCFM	Add Loctite 243 TORQUE 2.5±0.3Nm	8	
67	577 97 79-01	STARTER	T2, Soft starter	1	
68	529 94 94-01	DECAL KIT		1	

F2 DXR 145
REMOTE CONTROL ACCESSORIES

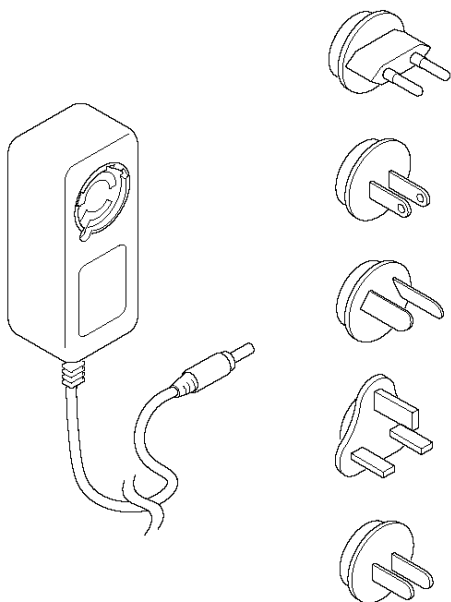
2



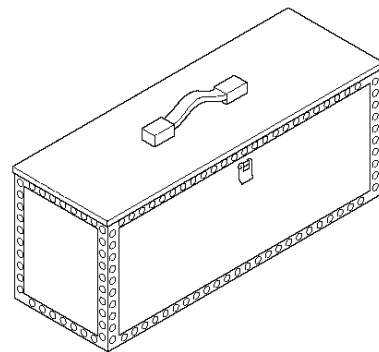
3



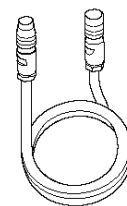
4



5



6

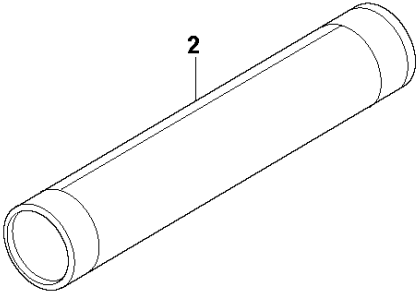
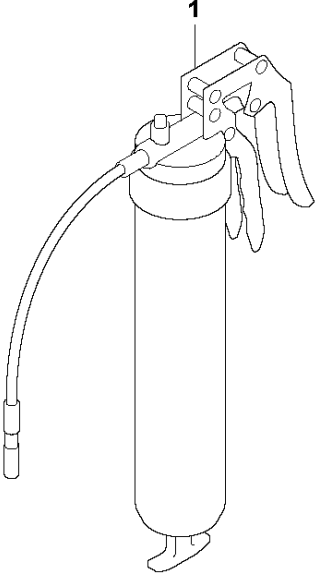


REMOTE CONTROL ACCESSORIES

DXR 145, 2021-11

Ref	Part No	Description	Remark	QTY KIT
1	529 52 47-01	HARNES		1
2	599 80 73-01	BATTERY		1
3	599 80 74-01	BATTERY CHARGER		1
4	599 80 75-01	TRANSFORMER	Plugs: EU USA AUSTRALIA UK CHINA	1
5	531 12 95-01	BOX		1
6	599 80 76-01	CABLE ASSY		1

F3 DXR 145
TOOLS

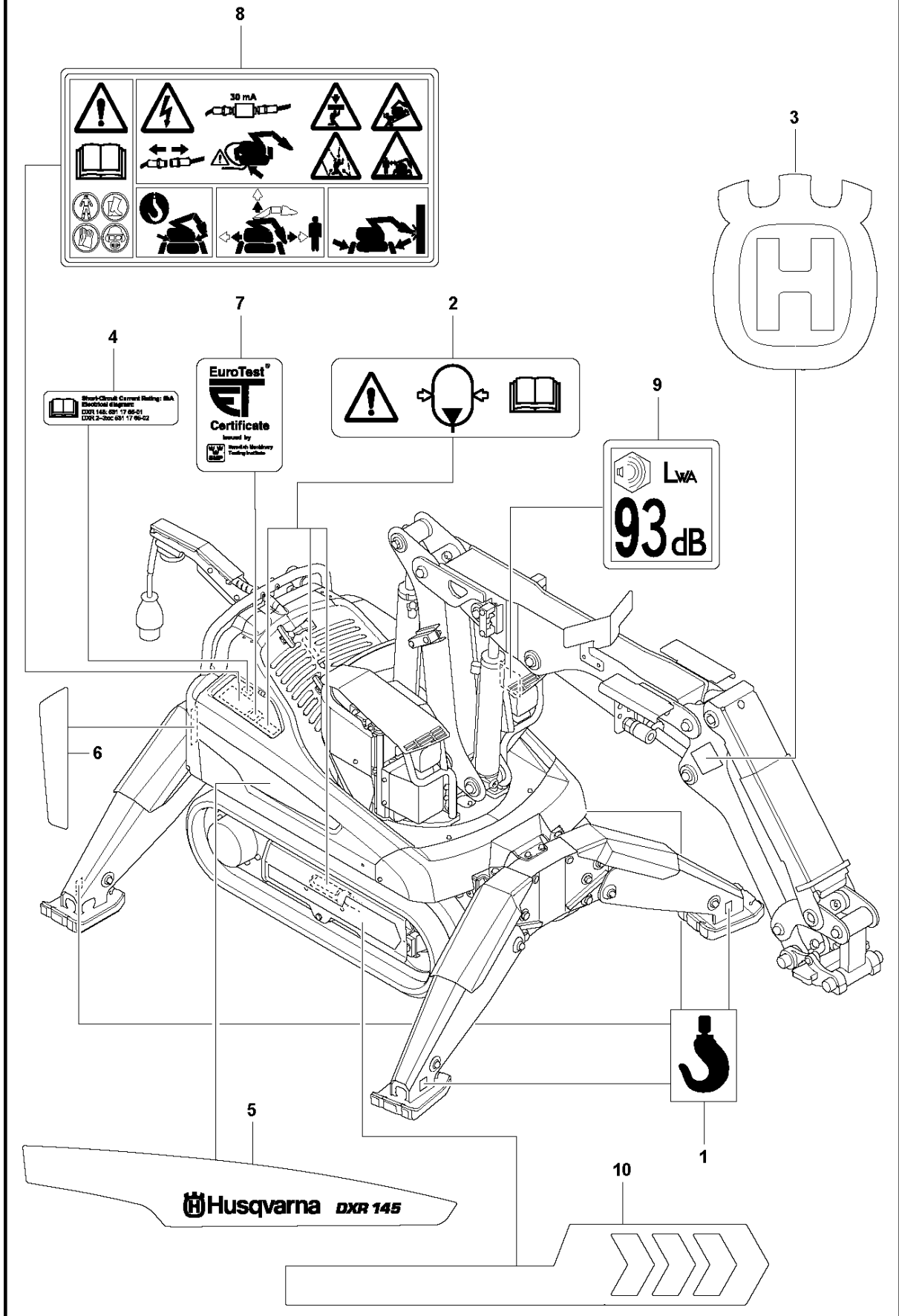


TOOLS

DXR 145, 2021-11

Ref	Part No	Description	Remark	QTY KIT
1	506 38 49-02	GUN		1
2	588 81 48-01	GREASE		1

G DXR 145
DECALS

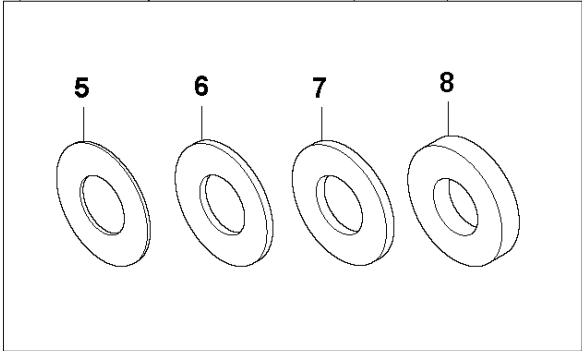
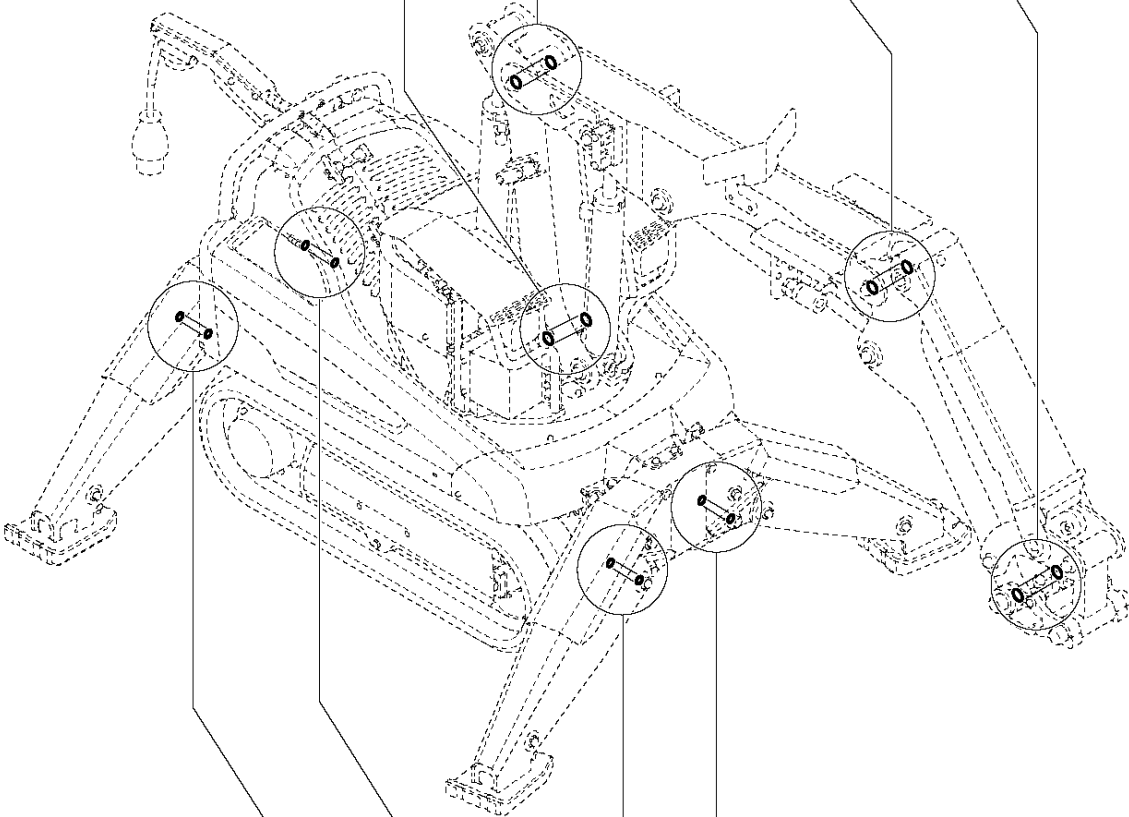
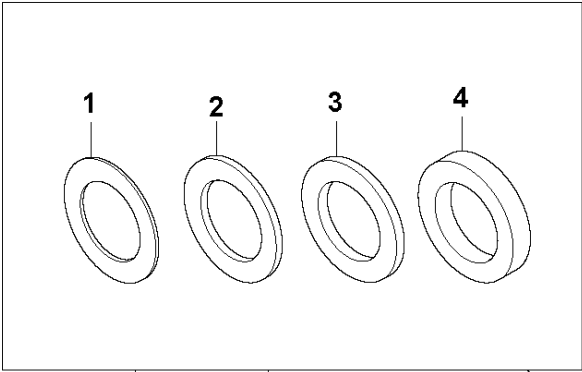


DECALS

DXR 145, 2021-11

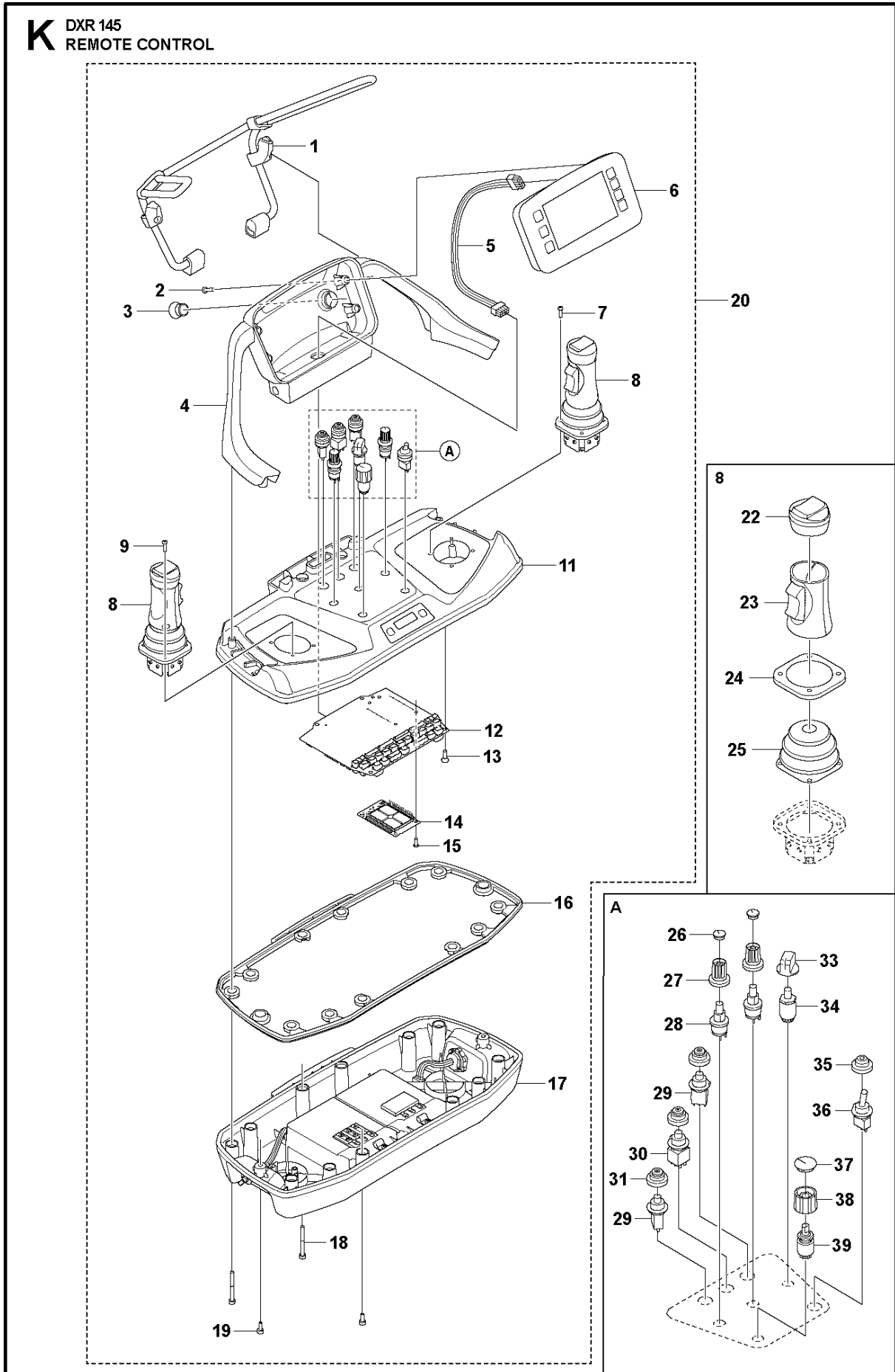
Ref	Part No	Description	Remark	QTY KIT
1	525 51 27-01	STICKER		4
2	596 88 34-01	STICKER		3
3	529 78 50-01	DECAL		2
4	531 18 33-01	DECAL		1
5	529 78 51-01	DECAL	LH	1
5	529 78 51-02	DECAL	RH	1
6	529 75 88-01	STICKER		2
7	575 58 66-01	DECAL		1
8	523 02 17-01	STICKER		1
9	525 84 50-03	DECAL		1
10	529 78 52-01	DECAL	LH	1
10	529 78 52-02	DECAL	RH	1

H DXR145
SCHIMS



Ref	Part No	Description	Remark	QTY KIT
1	505 00 36-01	SPACER	I.D. 40mm, 0,2mm	0
2	505 00 36-02	SPACER	I.D. 40mm, 0,3mm	0
3	505 00 36-03	SPACER	I.D. 40mm, 0,5mm	0
4	505 00 36-04	SPACER	I.D. 40mm, 1,0mm	0
5	573 96 55-01	SPACER	I.D. 30mm, 0,2mm	0
6	573 96 55-02	SPACER	I.D. 30mm, 0,3mm	0
7	573 96 55-03	SPACER	I.D. 30mm, 0,5mm	0
8	573 96 55-04	SPACER	I.D. 30mm, 1,0mm	0

K DXR 145
REMOTE CONTROL



REMOTE CONTROL

DXR 145, 2021-11

Ref	Part No	Description	Remark	QTY	KIT
1	535 39 45-01	CRASH GUARD		1	20
2	535 60 10-01	SCREW		4	20
3	535 33 59-01	LID		1	20
4	535 33 58-01	EQUIPMENT FRAME		1	20
5	535 60 13-01	CABLE		1	20
6	535 33 60-01	DISPLAY	Empty/Contains No Software	1	20
7	535 60 16-01	SCREW		8	20
8	535 60 16-01	SCREW		8	20
9	535 39 41-01	JOYSTICK	L/R	2	20
11	535 33 61-01	CONTROL UNIT ASSY		1	20
12	535 39 42-01	PRINTED CIRCUIT ASSY	Contains Software	1	20
13	535 60 14-01	SCREW		4	20
14	535 39 43-01	PRINTED CIRCUIT ASSY	Contains Software	1	20
15	535 60 15-01	SCREW		4	20
16	535 33 55-01	GASKET		1	20
17	535 33 57-01	CONTROL UNIT ASSY	Inc. Machine stop button & cable connector	1	20
18	535 60 12-01	SCREW		4	20
19	535 60 11-01	SCREW		10	20
20	531 28 53-01	REMOTE CONTROL	Contains Software	1	
22	535 60 18-01	CAP		2	8, 20
23	535 60 19-01	GRIP	Inc. Top button & thumb switch	2	8, 20
24	535 60 21-01	MOUNT		2	8, 20
25	535 60 20-01	BELLOWS		2	8, 20
26	535 39 40-01	LID		2	20
27	535 39 39-01	KNOB		2	20
28	535 39 37-01	POTENTIOMETER	Potentiometer: Machine Tool	2	20
29	535 33 62-01	BUTTON	Button: Headlights Horn	2	20
30	535 39 44-01	BUTTON	Button: Lock remote	1	20
31	535 33 63-01	CAP		3	20
33	535 60 17-01	KNOB		1	20
34	535 33 64-01	SWITCH	Transport mode switch	1	20
35	535 33 66-01	COLLAR		1	20
36	535 33 65-01	SWITCH	Operation mode switch	1	20
37	535 39 35-01	LID		1	20
38	535 39 34-01	KNOB		1	20
39	535 33 64-01	SWITCH	OFF/ON/START switch	1	20