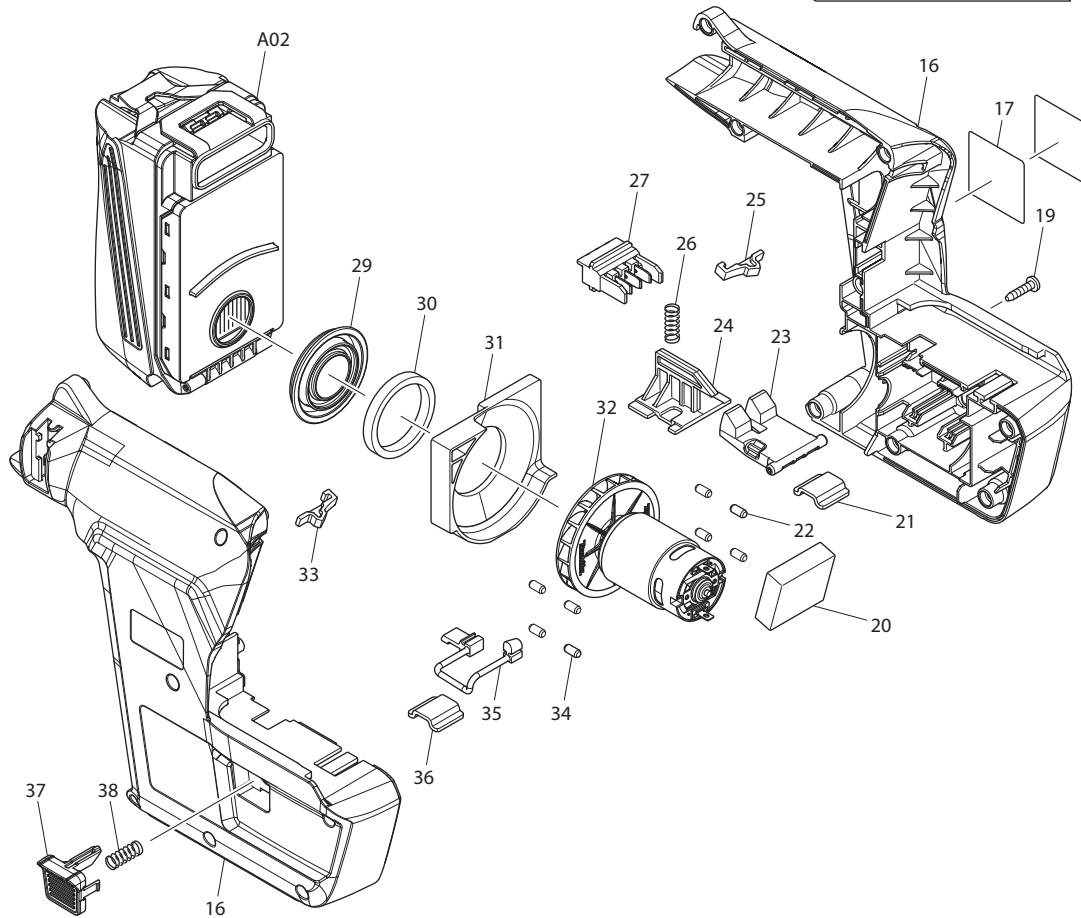
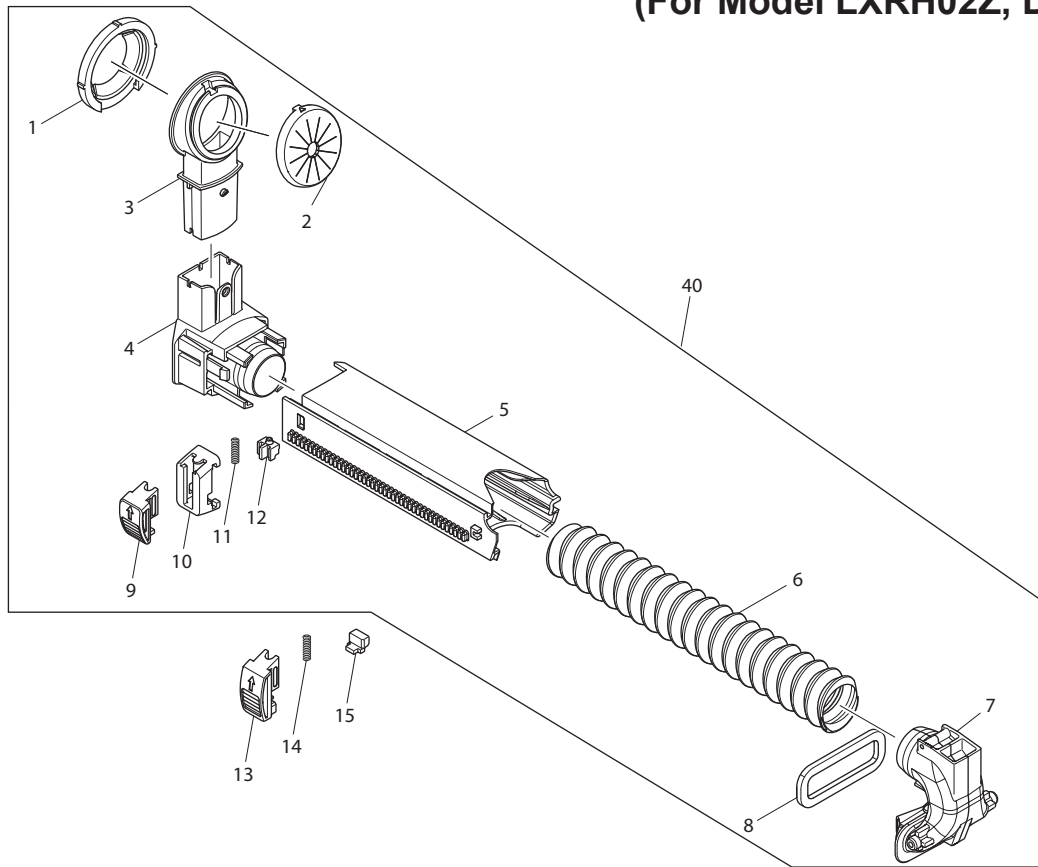




04 - 2012

DX02

DUST EXTRACTION SYSTEM (For Model LXRH02Z, DHR243Z)



Item No.		Part No.	Description	Qty	Unit
1	1	424480-0	* FITTING RUBBER	1	PC.
	2	424722-2	* FITTING RUBBER	1	PC.
2		424474-5	SEALING CAP	1	PC.
3	1	453136-8	* COLLECTOR	1	PC.
	2	455736-0	* COLLECTOR	1	PC.
4	1	453135-0	* COLLECTOR BASE B	1	PC.
	2	454579-7	* COLLECTOR BASE B	1	PC.
5	1	453137-6	* SLIDE PIPE	1	PC.
	2	454580-2	* SLIDE PIPE	1	PC.
6		245038-0	HOSE 30	1	PC.
7	1	453138-4	INNER PIPE	1	PC.
	2	456017-5	INNER PIPE	1	PC.
8		423425-5	SPONGE SHEET B	1	PC.
9		453141-5	SLIDE LEVER A	1	PC.
10		453140-7	STOPPER BASE	1	PC.
11		234227-2	COMPRESSION SPRING 3	1	PC.
12		453702-1	RACK A	1	PC.
13		453142-3	SLIDE LEVER B	1	PC.
14		234227-2	COMPRESSION SPRING 3	1	PC.
15		453139-2	RACK B	1	PC.
16		187304-8	HOUSING SET	1	PC.
17		896812-5	NAME PLATE F/DX02	1	PC.
18		890995-3	CLEAR LABEL	1	PC.
19		266326-2	TAPPING SCREW 4X18	8	PC.
20		638956-3	CONTROLLER UNIT	1	PC.
	INC.	654069-2	RECEPTACLE	2	PC.
	INC.	654281-4	RECEPTACLE	3	PC.
21		346539-2	GUIDE PLATE	1	PC.
22		263025-7	RUBBER PIN 4	4	PC.
23		453146-5	HOOK	1	PC.
24		453144-9	LIFT PLATE	1	PC.
25		424475-3	CUSHION	1	PC.
26		234228-0	COMPRESSION SPRING 6	1	PC.
27		638931-9	CONNECTOR	1	PC.
29		453171-6	FILTER PLATE	1	PC.
30		423427-1	SPONGE SHEET C	1	PC.
31		453143-1	BAFFLE PLATE	1	PC.
32		141163-4	MOTOR COMPLETE	1	PC.
33		424475-3	CUSHION	1	PC.
34		263025-7	RUBBER PIN 4	4	PC.
35		424486-8	EARTH RUBBER	1	PC.
36		346539-2	GUIDE PLATE	1	PC.
37		453145-7	PUSH BUTTON	1	PC.
38		234228-0	COMPRESSION SPRING 6	1	PC.
40	1	135518-3	* SLIDE PIPE ASS'Y	1	PC.
	INC.		Item No. 1-12		
	2	135566-2	* SLIDE PIPE ASS'Y	1	PC.
	INC.		Item No. 1-12		
	3	135672-3	SLIDE PIPE ASS'Y	1	PC.
	INC.		Item No. 1-12		
	4	135697-7	SLIDE PIPE ASS'Y	1	PC.
	INC.		Item No. 1-12		
C01		872975-1	CARTON F/DX02	1	PC.

Item No.	Part No.	Description	Qty	Unit
<u>ACCESSORIES</u>				
A01	424474-5	SEALING CAP	5	PC.
A02	196162-1	DUST CASE SET	1	PC.
	INC. 19 196164-7	FILTER SET	1	PC.
	INC. 19 453150-4	FILTER COVER	1	PC.

SERVICE CHANGES

1. Changes on Slide Pipe Assy

(TI# 99363)

(TI#A6905)

(TI# A9260)

Item No.	Description	Type 1	Type 2	Type 3	Type 4
40	SLIDE PIPE ASSEMBLY	135518-3	135566-2	135672-3	135697-7
1	FITTING RUBBER		424480-0		424722-2
3	COLLECTOR		453136-8		455736-0
4	COLLECTOR BASE A	453135-0		454579-7	
5	SLIDE PIPE	453137-6		454580-2	
7	INNER PIPE		453138-4		456017-5

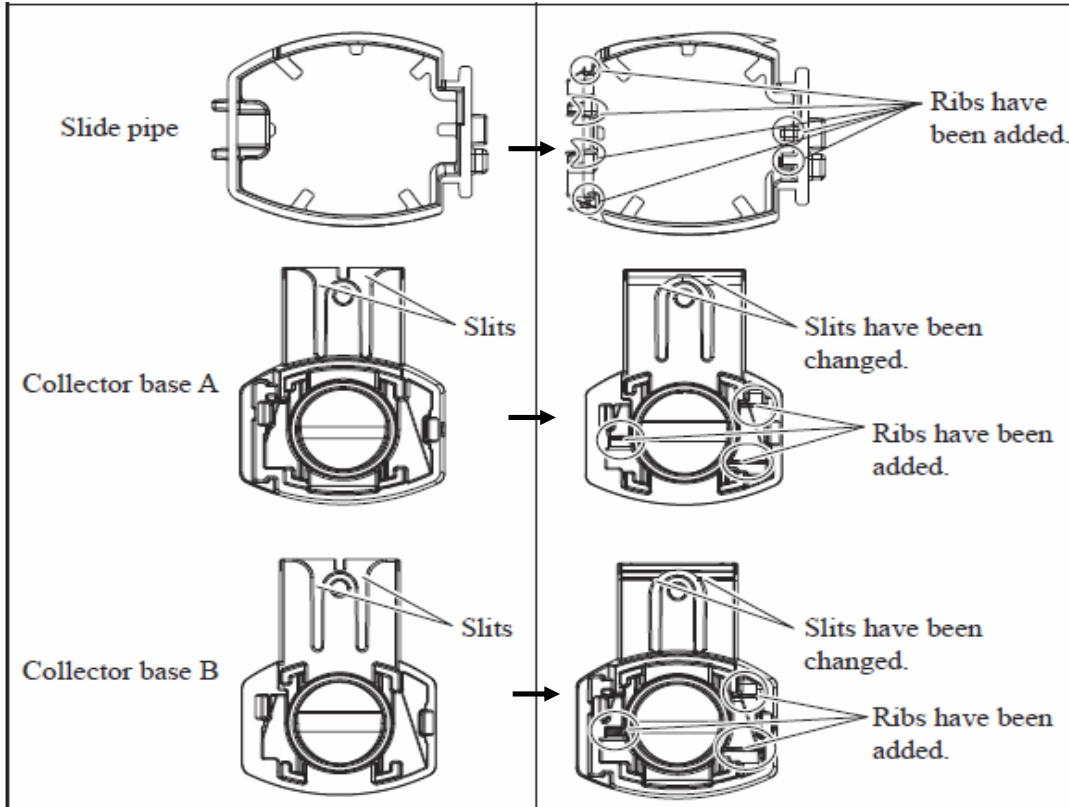
Item No.1, 3, 4 - 7 are component of Item No. 40 Slide Pipe Assy

Above parts are completely interchangeable as a set.

Type 1

Type 2

(TI# 99363)



Type 2

Type 3

(TI#A6905)

