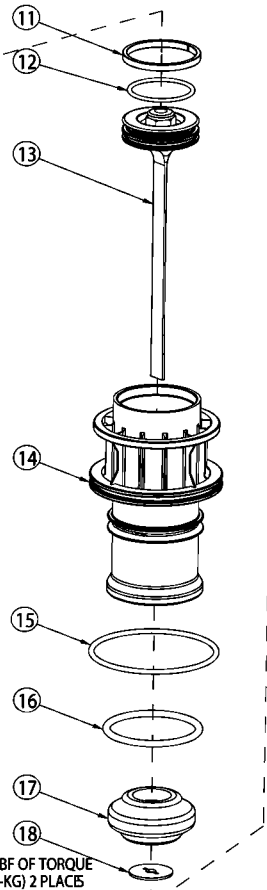
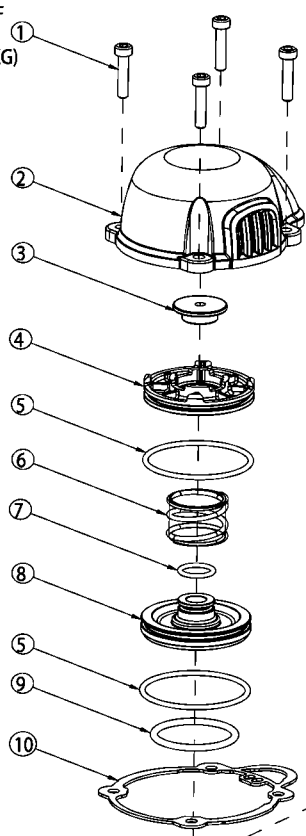
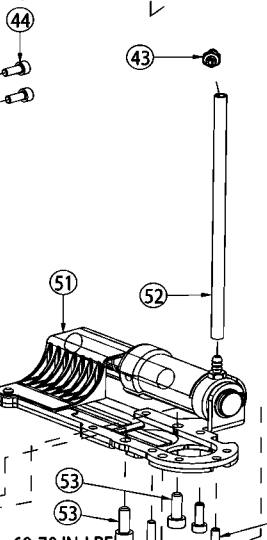
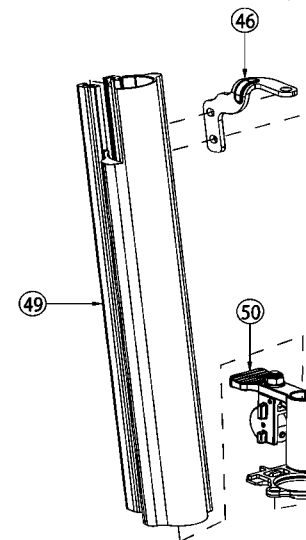


36-45 IN-LBF  
OF TORQUE  
(42-52 CM-KG)  
4 PLACES



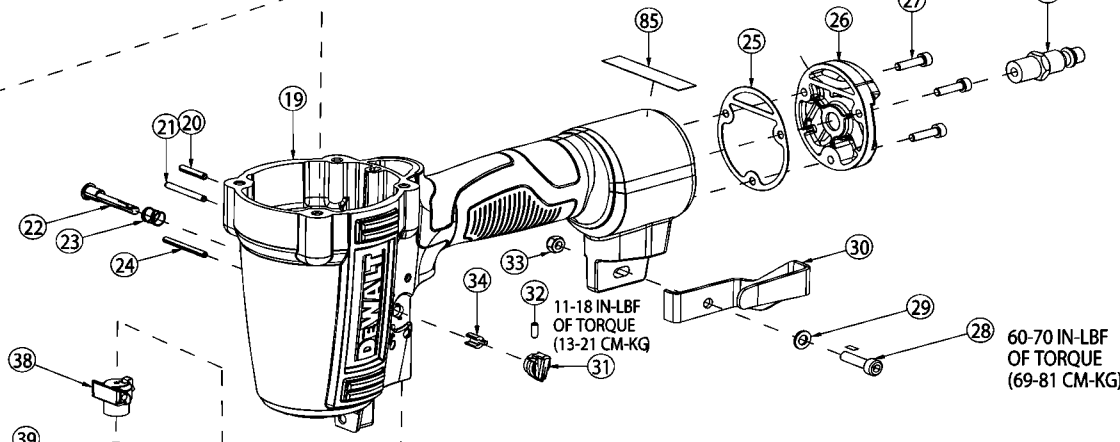
36-45 IN-LBF OF TORQUE  
(42-52 CM-KG) 2 PLACES



60-70 IN-LBF  
OF TORQUE  
(69-81 CM-KG)  
2 PLACES

36-45 IN-LBF  
OF TORQUE  
(42-52 CM-KG)  
3 PLACES

36-45 IN-LBF  
OF TORQUE  
(42-52 CM-KG)  
3 PLACES



11-18 IN-LBF  
OF TORQUE  
(13-21 CM-KG)

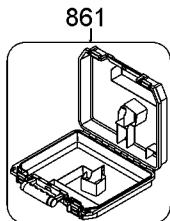
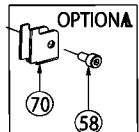
60-70 IN-LBF  
OF TORQUE  
(69-81 CM-KG)

60-70 IN-LBF  
OF TORQUE  
(69-81 CM-KG)  
2 PLACES

36-45 IN-LBF  
OF TORQUE  
(42-52 CM-KG)  
2 PLACES

36-45 IN-LBF  
OF TORQUE  
(42-52 CM-KG)

36-45 IN-LBF  
OF TORQUE  
(42-52 CM-KG)  
2 PLACES



861

## Parts List for DWSL18CAP Type 0

Item Number	Part Number	Description	Qty Required
1	MSC5080-25	SCREW-SHCS-M5X0.80X2	4
2	9R205674	CAP	1
3	180533	SEAL	1
4	180230	SEAL-HEAD VALVE	1
5	850605	O-RING-1.925X.103-NB	2
6	180532	SPRING-HEAD VALVE	1
7	100843	O-RING-.543X.094	1
8	180537	HEAD VALVE	1
9	182253	O-RING	1
10	9R203809	GASKET	1
11	180543	RING-PISTON	1
12	180544	O-RING-31.0MMX2.0MM	1
13	9R204185	DRIVER ASSEMBLY	1
14	180538	SLEEVE-CLYNINDER	1
15	166047	O-RING	1
16	180540	O-RING-41.7MMX3.5MM	1
17	180549	BUMPER	1
18	9R204212	DRIVER GUIDE	1
19	9R204182	FRAME	1
20	107583	PIN SPRING	1
21	174345	PIN SPRING	1
22	184507	PIN-MODE SWITCH	1
23	188850	SPRING	1
24	100298	PIN-SPIRAL M3X30	1
25	180463	GASKET-END CAP	1
26	180465	END CAP	1
27	MSC4070-16	SCREW-SHCS-M4X0.7X16	3

## Parts List for DWSL18CAP Type 0

Item Number	Part Number	Description	Qty Required
28	N494651	SOC HD CAP M5 X20	1
29	180569	WASHER-PLAIN-D5X10X1	1
30	9R204208	BELT HOOK	1
31	184506	BUTTON-MODE SWITCH	1
32	180484	SCREW-SET-M3X8MM	1
33	MHE5080-100	NUT-NYLON M5X.80	1
34	184508	BUSHING	1
35	9R202265-TW	TRIGGER VALVE ASSY.	1
36	180476	SPRING-TRIGGER	1
37	184513	ASSEMBLY-TRIGGER	1
38	180514	GUIDE-UPPER TRIP	1
39	180513	SPRING	1
40	180510	ASSEMBLY-UPPER CONTA	1
41	9R195663	ADJUSTING KNOB	1
42	9R204206	CONTACT ARM BRACKET	1
43	188636	FITTING	1
44	MSC4070-10	SCREW-SHCS-M4X0.70X1	2
45	180504	WASHER, FLAT	2
46	9R204209	CAP MAGAZINE BRACKET	1
49	188699	MAGAZINE UNIT B P05-	1
50	188650	SLIDING SEAT UNIT	1
51	188660	MAGAZINE CYLINDER	1
52	9R204211	TUBE	1
53	188625	SCREW M5X.8X14 SHCS	2
54	MSC4070-12	SCREW-SHCS-M4X0.70X1	3
55	188592	CONTACT PLATE	1
56	9R204199	CONTACT ARM ASSY.	1

## Parts List for DWSL18CAP Type 0

Item Number	Part Number	Description	Qty Required
57	188706	WASHER FLAT D4X10X15	2
58	MSC4070-8	SCREW-SHCS-M4X0.70X8	3
59	9R204198	PINCH PLATE ASSEMBLY	1
60	MSC5080-22	SCREW-SHCS-M5X0.8X22	2
61	174073	O-RING	2
62	9R204189	COVER B	1
63	188628	PIN COVER HINGE	1
64	188594	PLUNGER-LOCK OUT	1
65	180492	SPRING-LOCK OUT	1
66	180493	SPACER	1
67	180494	E-RING-2.5MM	2
68	188638	MAGAZINE COVER	1
69	9R204196	NOSE/MAG ASSEMBLY	1
70	188605	GUIDE SHORT NAIL	1
71	188705	SCREW M4X.70X14 SHCS	2
72	188637	PLATE BALANCE	1
73	188634	PIN	1
74	9R204216	PUSHER UNIT	1
75	188632	CONSTANT PUSHER	1
76	188633	CONSTANT BUSHING	1
77	188696	TORSION SPRING	1
78	9R204207	MAGAZINE BRACKET	1
79	188704	PIN	1
80	152183	CONNECTOR MALE 1/4NP	1
81	188667	SPRING-CONTACT ARM	1
82	9R208223	PRODUCT/FAST. LABEL	1
83	9R208227	WARNING LABEL,DEWALT	1

## Parts List for DWSL18CAP Type 0

Item Number	Part Number	Description	Qty Required
84	9R208258	WARNING LABEL, DWCAP	1
85	9R209283	LABEL, STAPLE	1
861	9R208209	CARRY CASE	1