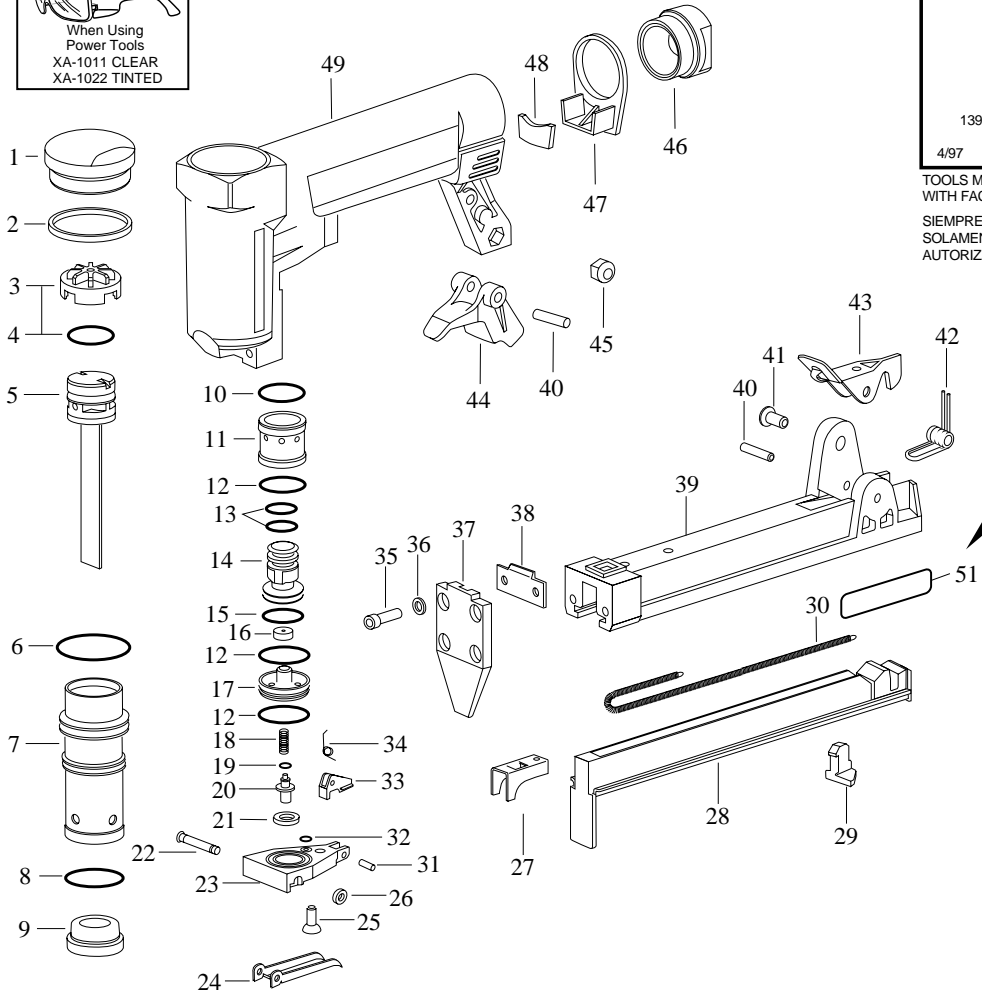


Always Wear  
Safety Glasses



When Using  
Power Tools  
XA-1011 CLEAR  
XA-1022 TINTED



FORM : TL

**DUO-FAST**  
WIDE CROWN  
FINE WIRE STAPLER  
**DWS-5020**  
0536243

DUO-FAST CORPORATION  
13951 S. QUALITY DRIVE, HUNTLEY, ILLINOIS, 60142-7600

4/97

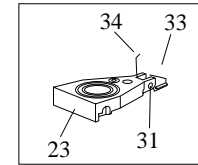
U.S.A.

PRINTED IN U.S.A.

TOOLS MUST BE REPAIRED ONLY  
WITH FACTORY AUTHORIZED PARTS

SIEMPRE REPARE LAS HERRAMIENTAS  
SOLAMENTE CON PARTES DE REPUESTO  
AUTORIZADAS POR DUO-FAST

50  
CPL TRIGGER PLATE



KEY NO.	PART NO.	QTY	PART NAME	ITEM CD	KEY NO.	PART NO.	QTY	PART NAME	ITEM CODE
1	FAS0430059	1	CPL. CAP	0535948	41	FAS0666032	1	SCREW M5x14	0536177
2	FAS0166022	1	GASKET	0535955	42	FAS0200145	1	SPRING	0535229
3	FAS0060039	1	SLEEVE SPACER	0535963	43	FAS0184061	1	CATCH (WC)	0536185
4	FAS0622010	1	O-RING 123	0534867	44	FAS0184062	1	QUICK RELEASE CATCH	0535567
5	FAS0300307	1	CLP. DRIVER/PISTON 50(16)	0535971	45	FAS0650005	1	SELF-LOCKING NUT M5	0535575
6	FAS0622121	1	O-RING 3112	0534883	46	FAS0326037	1	ADAPTER 1/4" 19 THREADS	0536193
7	FAS0104068	1	CYLINDER	0535989	47	FAS0430045	1	SILENCER CAP	0536201
8	FAS0622115	1	O-RING 2100	0534891	48	FAS0286008	1	SILENCER	0536219
9	FAS0280037	1	BUMPER	0535997	49	FAS0138182	1	BODY R1A	0536227
10	FAS0622074	1	O-RING MS-18	0534909	50	FAS0294104	1	TRIGGER PLATE F1A	0536235
11	FAS0092094	1	BODY BUSH	0536003	51	XH-108-73	1	CYCLE LABEL	0343616
12	FAS0622122	3	O-RING 230.708	0534917					
13	FAS0622005	2	O-RING 112	0534925					
14	FAS0300297	1	SERVOVALVE PISTON	0536011					
15	FAS0622035	1	O-RING 2062	0534933					
16	FAS0070002	1	BUFFER	0536029					
17	FAS0140081	1	TRIGGER VALVE	0536037					
18	FAS0200057	1	SPRING	0536045					
19	FAS0622025	1	O-RING 2012	0534941					
20	FAS0288173	1	STUD	0536052					
21	FAS0166026	1	GASKET	0535161					
22	FAS0288172	1	PIN	0535807					
23	FAS0294102	1	TRIGGER PLATE	0535559					
24	FAS0164061	1	TRIGGER	0536060					
25	FAS0667022	1	SCREW M4x12 AUTOBLOCK	0535104					
26	FAS0348012	1	STOP RING	0535542					
27	FAS0410007	1	PUSHER	0536078					
28	FAS0146096	1	SLIDER ASSY 50 (16)	0536086					
29	FAS0070045	1	BUFFER	0536094					
30	FAS0200033	1	SPRING (WC)	0536102					
31	FAS0662021	1	PIN 2x10	0536110					
32	FAS0622094	1	O-RING 2007	0534958					
33	FAS0184081	1	TRIG LVR W/ THUMB SAF.	0536128					
34	FAS0200155	1	SPRING	0536136					
35	FAS0666022	4	SCREW M4x14	0536144					
36	FAS0660004	4	WASHER 4	0535369					
37	FAS0168308	1	DRIVER PLATE 50(16)	0536151					
38	FAS0080136	1	DRIVER REST	0535468					
39	FAS0172345	1	LOADER 50/64/84(25)	0536169					
40	FAS0662019	2	PIN 4x26	0535278					