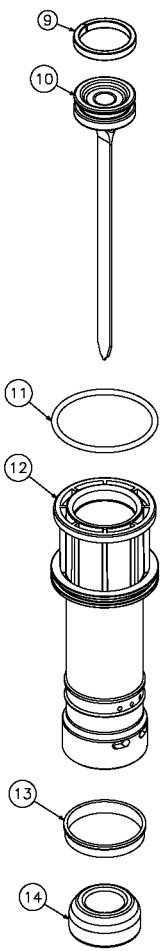
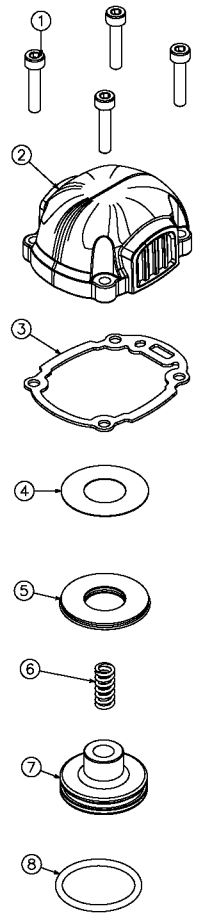


36-45 IN-Lbf
OF TORQUE
(42-52 CM-KG)



36-45 IN-Lbf
OF TORQUE
(42-52 CM-KG)
2 PLACES

4-5 IN-Lbf
OF TORQUE
(5-6 CM-KG)

19-22 IN-Lbf
OF TORQUE
(22-25 CM-KG)

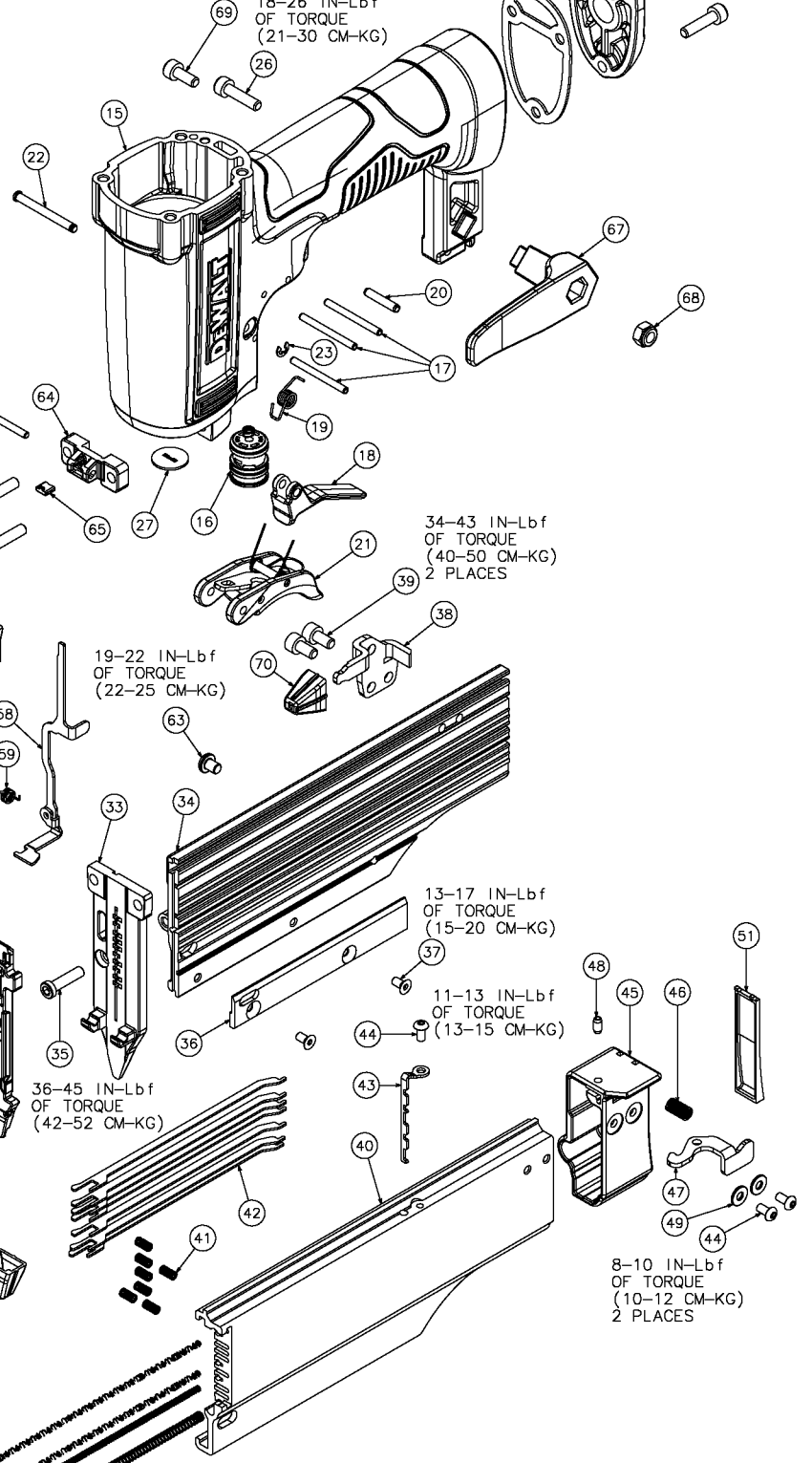
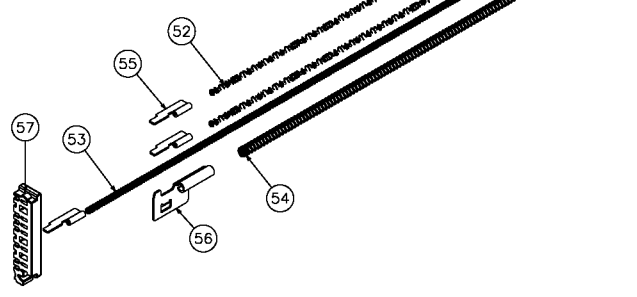
34-43 IN-Lbf
OF TORQUE
(40-50 CM-KG)
2 PLACES

13-17 IN-Lbf
OF TORQUE
(15-20 CM-KG)

11-13 IN-Lbf
OF TORQUE
(13-15 CM-KG)

36-45 IN-Lbf
OF TORQUE
(42-52 CM-KG)

8-10 IN-Lbf
OF TORQUE
(10-12 CM-KG)
2 PLACES



Parts List for DWFP2350K Type 0

Item Number	Part Number	Description	Qty Required
1	182237	SCREW	6
2	N540309	CAP	1
3	N544291	GASKET	1
4	N495666	HEAD VALVE PLATE	1
5	N495663	HEAD VALVE SEAL	1
6	N524268	HEAD VALVE SPRING	1
7	N495661	HEAD VALVE	1
8	N524270	O-RING 26.80X2.40MM	1
9	N504587	PISTON RING	1
10	N581000	PISTON/DRIVER ASSY	1
11	N495657	O-RING 34.50X2.00MM	1
12	N504583	CYLINDER	1
13	N520526	CHECK SEAL	1
14	N495656	BUMPER	1
15	N544289	FRAME	1
16	N539238	TRIGGER VALVE ASSEM	1
17	195327	SPRING PIN	3
18	N501057	SECONDARY TRIGGER	1
19	N504588	TORSION SPRING	1
20	181920	PIN SPRING	1
21	N504453	TRIGGER ASSEMBLY	1
22	N534517	STEPPED PIN	1
23	174298	RETAINER-E-RING	2
24	N495655	END CAP GASKET	1
25	N495651	END CAP	1
26	MSC4070-16	SCREW-SHCS-M4X0.7X16	4
27	N495662	DRIVER GUIDE	1

Parts List for DWFP2350K Type 0

Item Number	Part Number	Description	Qty Required
28	N596926	DOOR	1
29	N566012	ADJUSTING SCREW	1
30	N504590	ADJUSTING KNOB	1
31	N555803	O-RING 5.3X1.20MM	1
32	N564345	PINCH ASSEMBLY	1
33	N495667	NOSE	1
34	N495672	MAGAZINE	1
35	N566013	LOW HEAD SCREW	1
36	N504592	NAIL SLICE GUIDE	1
37	N519145	SFHCS SCREW M3X0.5X6	2
38	N495683	TAIL HANGER	1
39	MSC4070-8	SCREW-SHCS-M4X0.70X8	2
40	N495670	SLIDING MAGAZINE	1
41	N495674	STOP PLATE SPRING	7
42	N495697	STOP PLATE	7
43	N519141	STOP PLATE HOLDER	1
44	N524271	SBHCS SCREW M3X0.5X6	4
45	N495671	MAG. END COVER	1
46	N494598	PUSHER LATCH SPRING	1
47	N504580	LATCH	1
48	182273	SPRING PIN 3X6MM	1
49	N519151	PLAIN WSHR D3X8X0.8	2
51	N519030	END CAP COVER	1
52	N495682	PUSHER SPRING-SMALL	2
53	N596925	PUSH SPRNG-SMALL LWR	1
54	N495677	PUSHER SPRING	1
55	N495675	SMALL PUSHER	3

Parts List for DWFP2350K Type 0

Item Number	Part Number	Description	Qty Required
56	N495676	PUSHER	1
57	N495673	FRONT STOP PLATEHLDR	1
58	N495679	LOCKOUT LEVER	1
59	N531861	DOOR SPRING	1
60	N495685	LOCKOUT SPRING	1
61	N544292	LOCKOUT HOUSING	1
62	N524272	DOWEL PIN M2.5X8.0	1
63	N519149	SBHCS SCREW M4X0.7X5	1
64	N596927	DOOR PLATE	1
65	N566011	LOCK PLATE	1
66	N504582	DOWEL PIN M2.5X15.0	1
67	N495684	BELT HOOK	1
68	MHE4070-100	ELASTIC STOP NUT-M4	1
69	MSC4070-10	SCREW-SHCS-M4X0.70X1	1
70	N519038	NO MAR TIP	2
71	9R195624	QUICK CONNECT	1