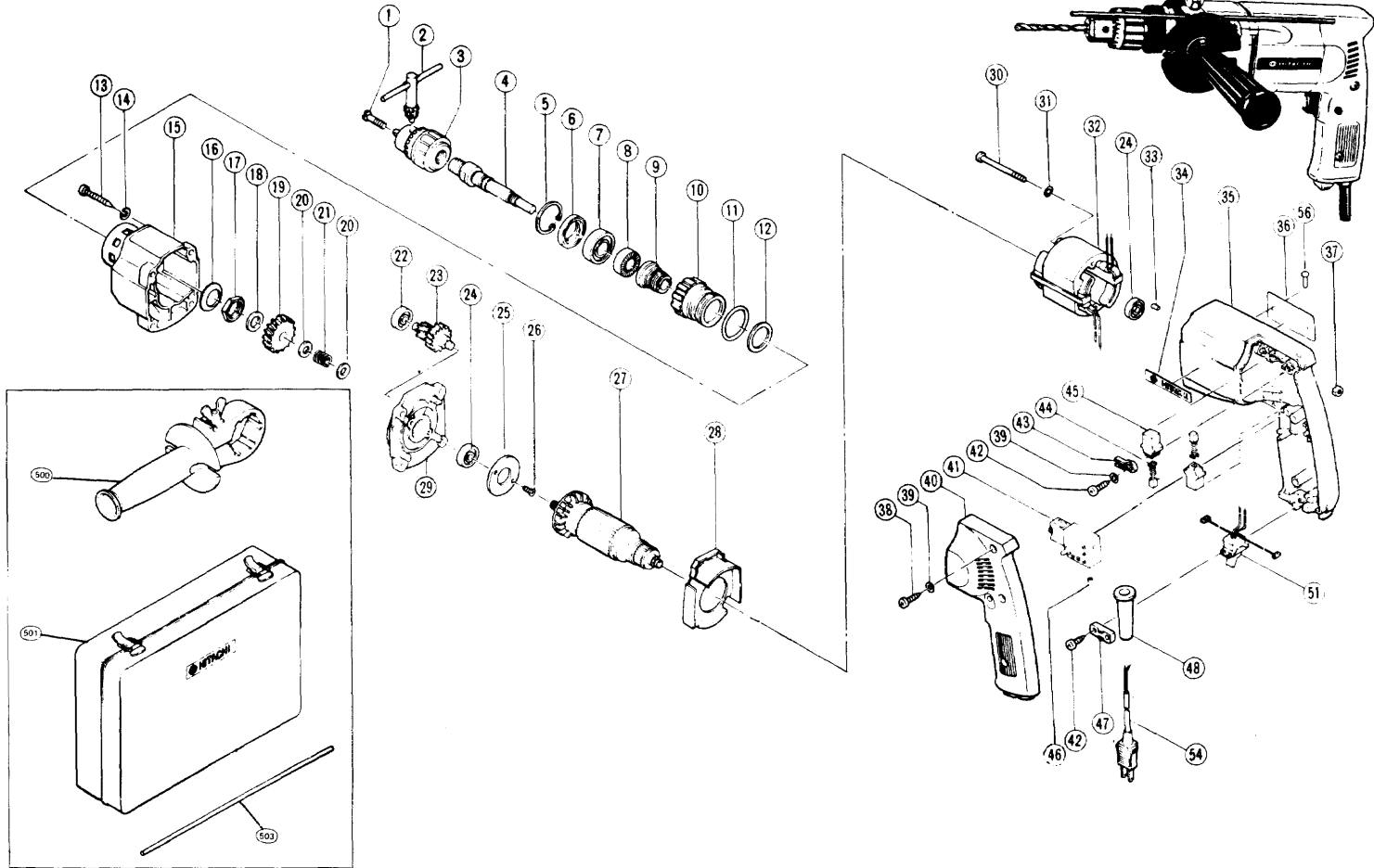




3/8" HAMMER DRILL

Model DVR-10



ITEM NO.	PART NO.	NO. USED	DESCRIPTION	SUPPLY QTY	ITEM NO.	PART NO.	NO. USED	DESCRIPTION	SUPPLY QTY
1	981122	1	Special Screw		28	971642	1	Fan Guide	
2	930119	1	Chuck Wrench		29	971664	1	Inne Cover	
3	950256	1	Drill Chuck (includes Item 2)		30	949278	2	Machine Screw M4×55	10
4	981119	1	Spindle		31	949453	2	Spring Washer D4	10
5	948001	1	Retaining Ring D32		32	981101C	1	Stator	
6	971654	1	Dust Seal		33	946362	1	Bearing Lock	
7	6002DD	1	Ball Bearing 6002DDUCMPS2S		34	957561	1	HITACHI Label	
8	994450	1	Ratchet (B)		35	981110	1	Housing	
9	981116	1	Ratchet (A)		36	-	1	Nameplate	
10	971645	1	Change Ring		37	949554	2	Nut M4	10
11	872767	1	O-ring		38	956384	3	Tapping Screw D4×20	
12	953038	1	Washer		39	949423	5	Washer D4	10
13	931875	4	Tapping Screw D5×35		40	981112	1	Handle Cover	
14	949454	4	Spring Washer D5	10	41	985347	1	Switch (old 982587Z)	
15	981114	1	Gear Cover		42	954004	4	Tapping Screw D4×16	
16	981117	1	Belleville Spring		43	971655	2	Holder Piece	
17	981118	1	Nut		44	999080Z	2	Auto Stop Carbon Brush	2
18	981124	1	Washer		45	955203	2	Brush Holder	
19	981121	1	Final Gear		46	981373	2	Tube (D)	
20	971657	2	Washer		47	937631	1	Cord Clip	
21	971656	1	Spring		48	930487	1	Cord Armor	
22	608VVM	1	Ball Bearing 608VVMC2EPS2L		51	981125Z	1	Reversing Switch	
23	981115	1	Second Pinion		54	500240Z	1	Cord	
24	608VVM	2	Ball Bearing 608VVMC2EPS2L		55	983418Z	3	Pillar Terminal (B)	
25	971659	1	Bearing Holder		56	932642	2	Rived D2.5×2.8	
26	949322	2	Flat Screw M4×10	10	500	971662	1	Side Handle	
27	981103C	1	Armature		501	980171	1	Steel Tool Case	
					503	971677	1	Stopper	